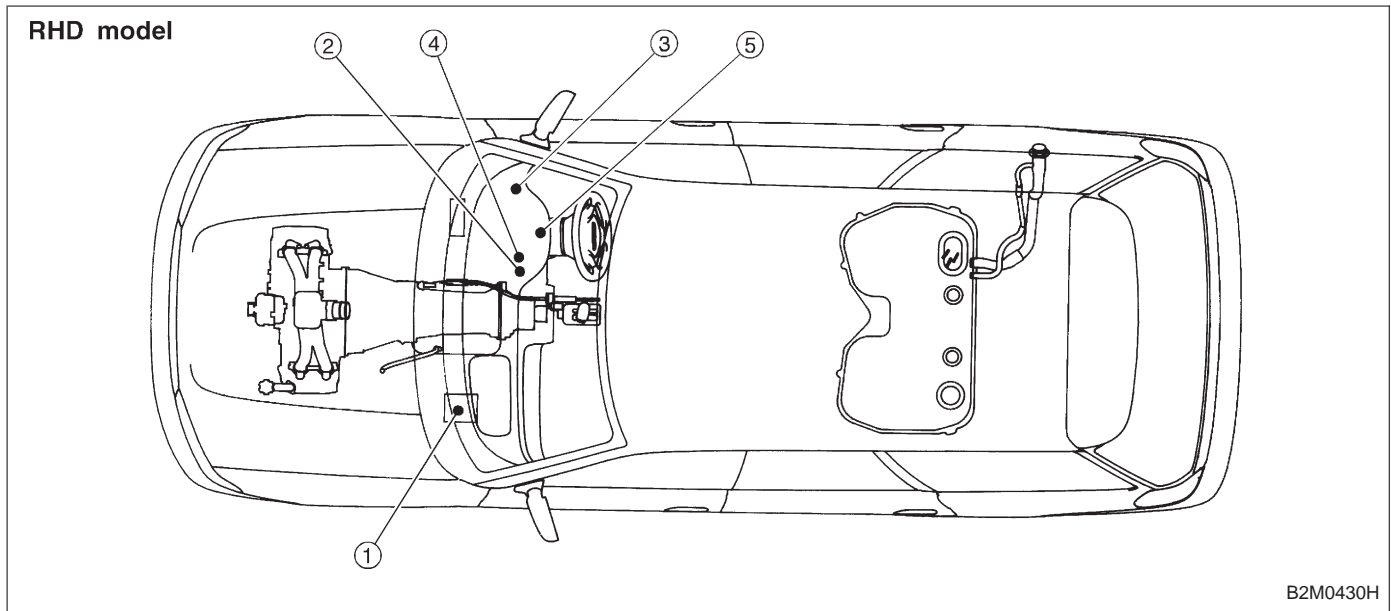
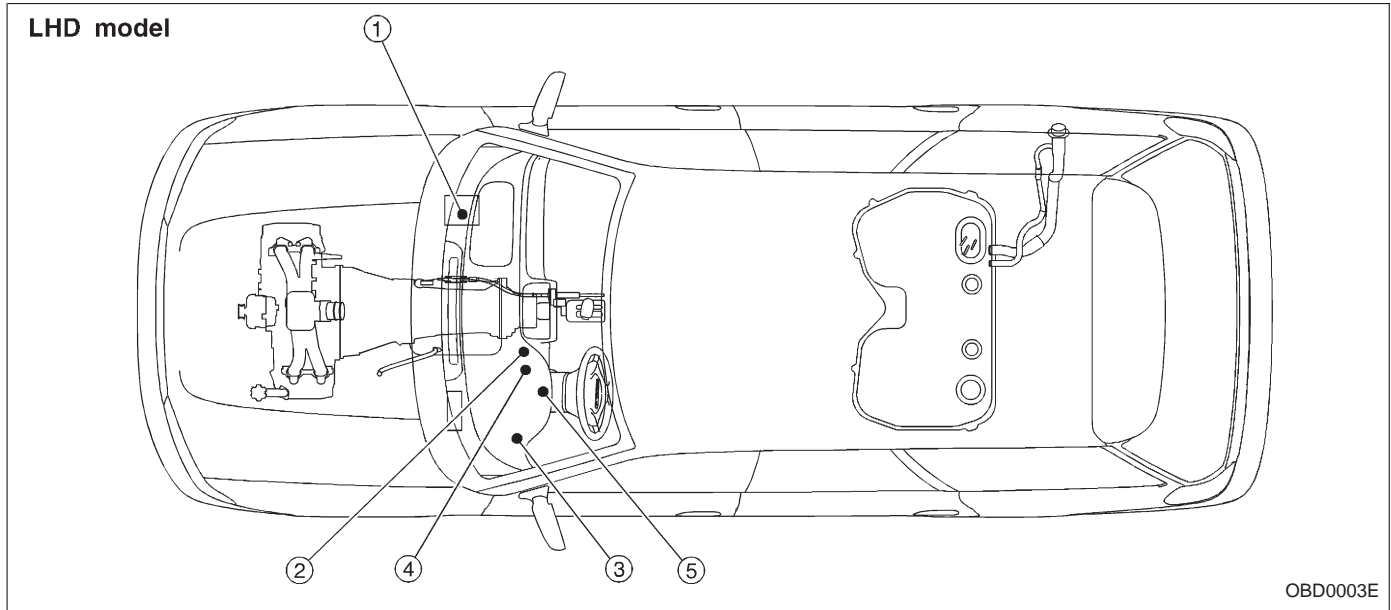


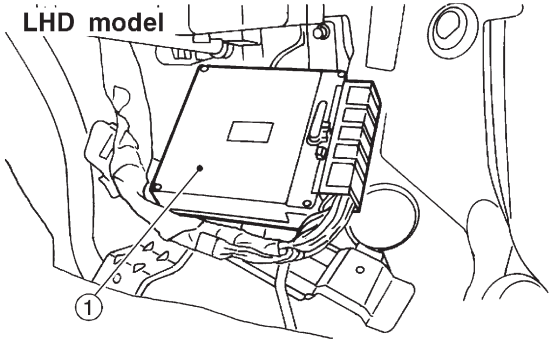
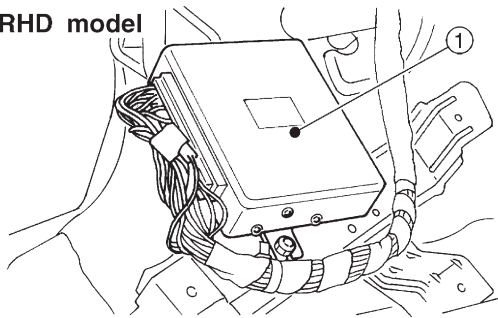
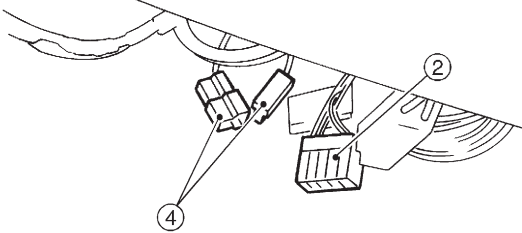
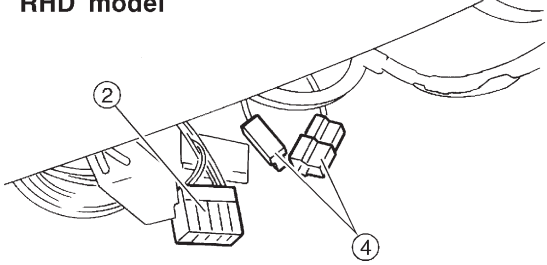
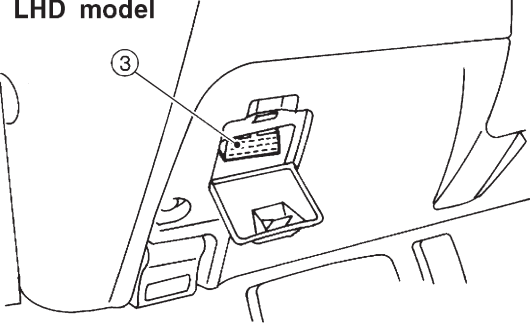
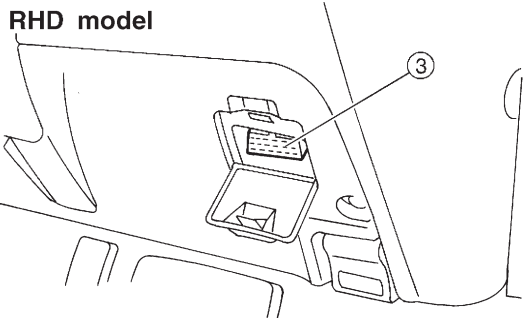
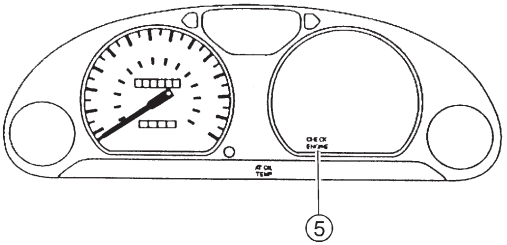

2. Electrical Components Location

A: ENGINE

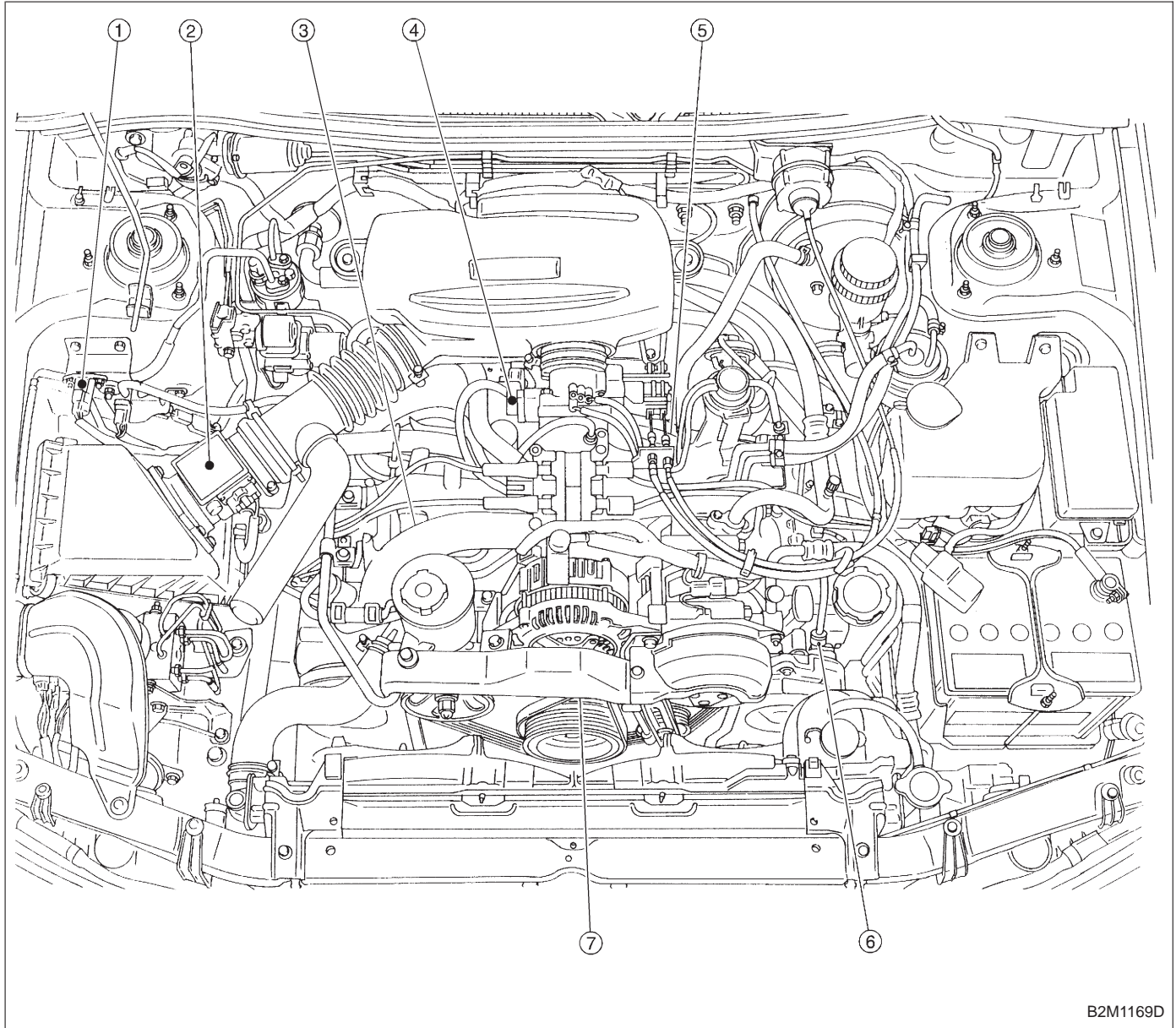
1. MODULE



- ① Engine control module (ECM)
- ② Data link connector (for Subaru select monitor only)
- ③ Data link connector (for Subaru select monitor and OBD-II general scan tool)
- ④ Test mode connector
- ⑤ CHECK ENGINE malfunction indicator lamp (MIL)

<p>LHD model</p>  <p>OBD0004B</p>	<p>RHD model</p>  <p>B2M0431B</p>
<p>LHD model</p>  <p>OBD0005G</p>	<p>RHD model</p>  <p>B2M0432C</p>
<p>LHD model</p>  <p>OBD0006E</p>	<p>RHD model</p>  <p>B2M0433C</p>
 <p>B2M0470A</p>	

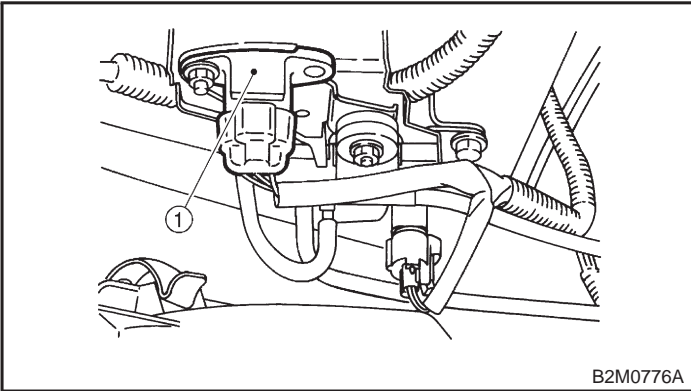
2. SENSOR



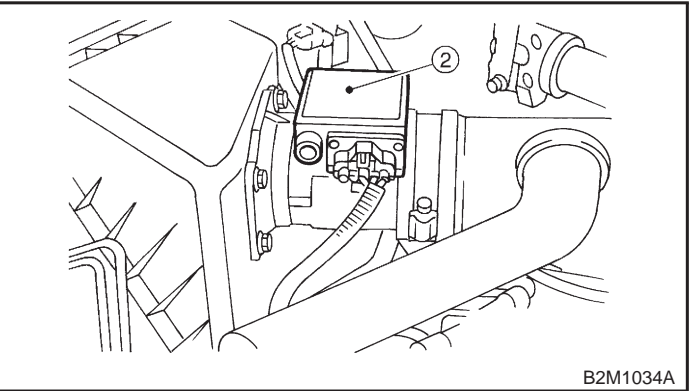
B2M1169D

- ① Pressure sensor
- ② Mass air flow sensor
- ③ Engine coolant temperature sensor
- ④ Throttle position sensor

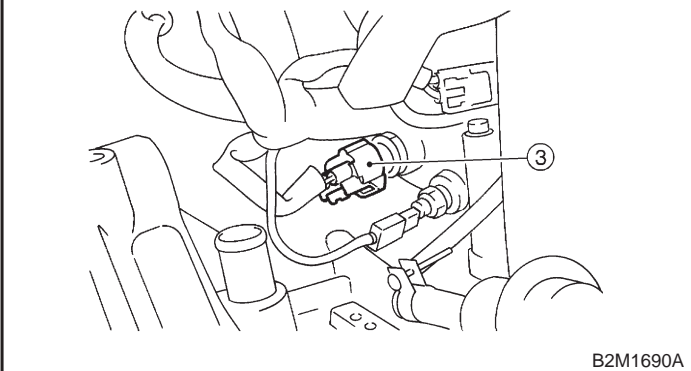
- ⑤ Knock sensor
- ⑥ Camshaft position sensor
- ⑦ Crankshaft position sensor



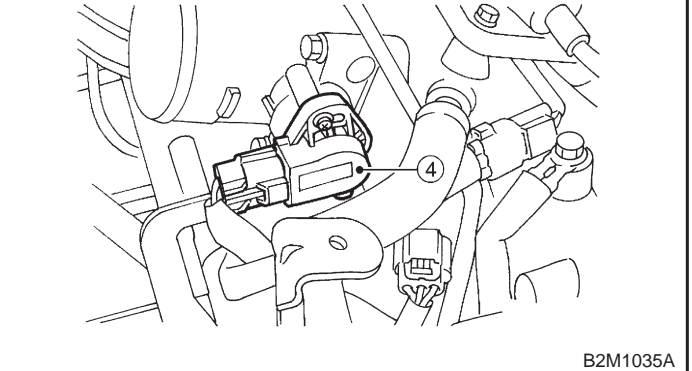
B2M0776A



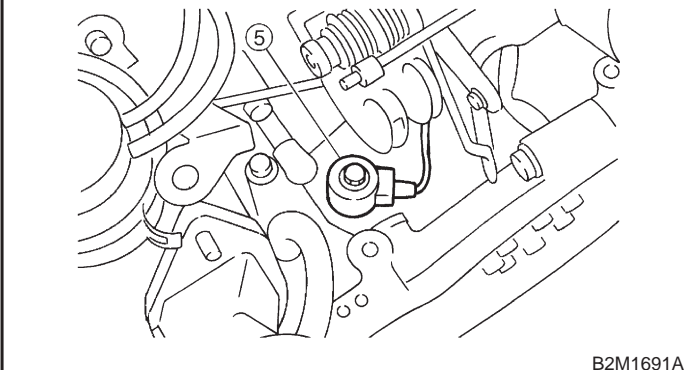
B2M1034A



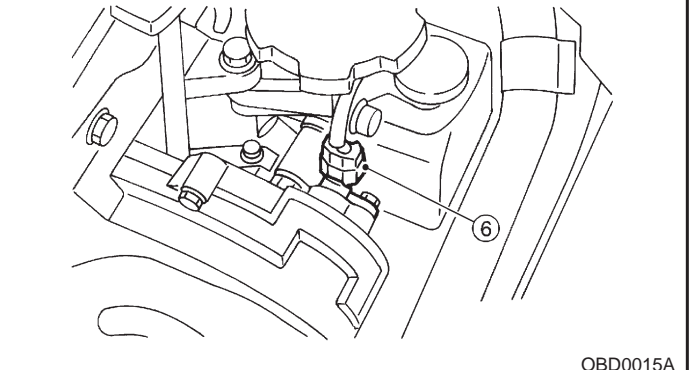
B2M1690A



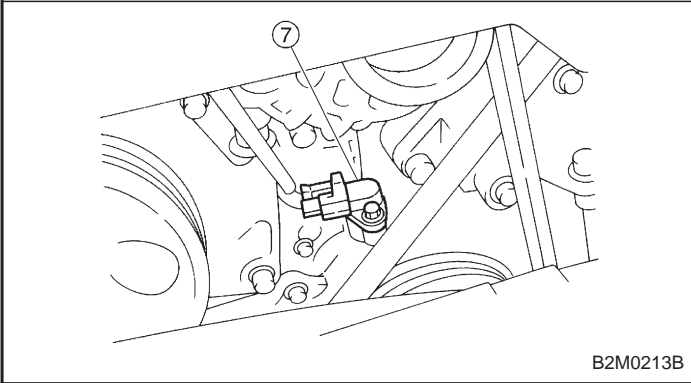
B2M1035A



B2M1691A

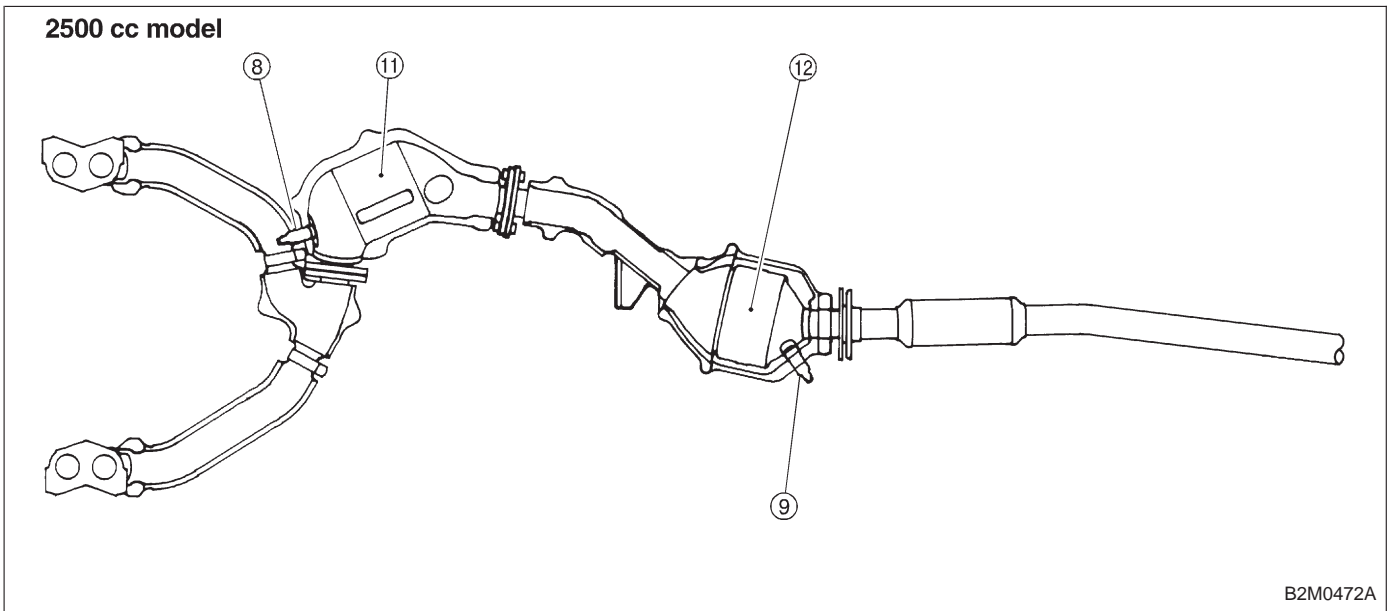
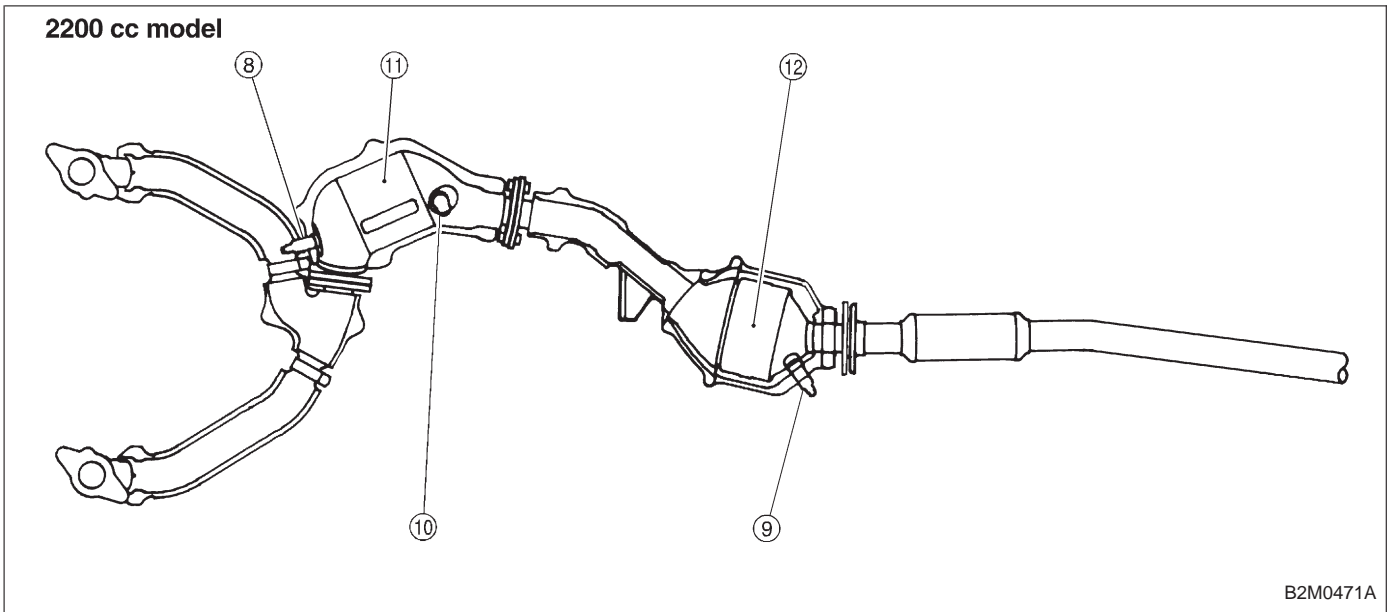


OBD0015A



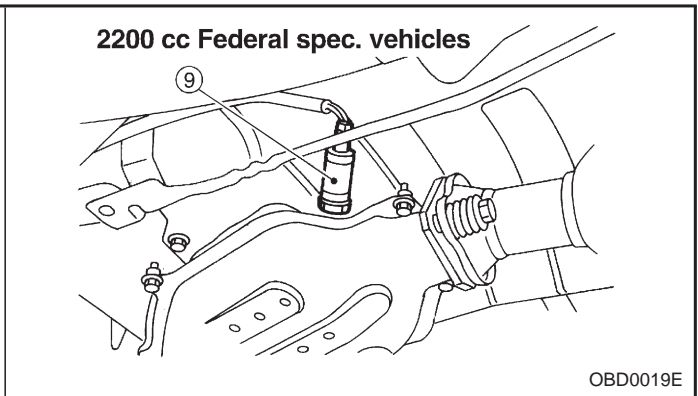
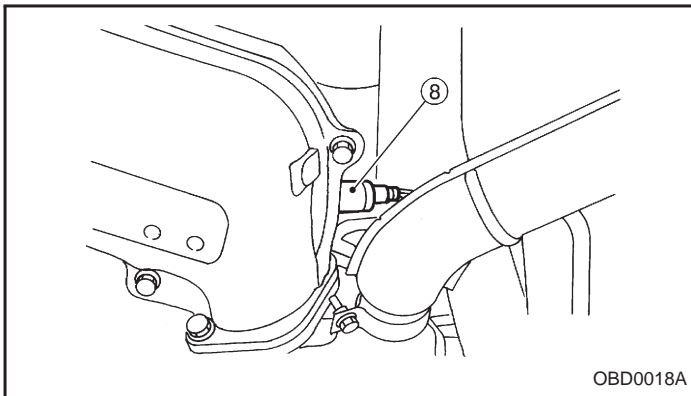
B2M0213B



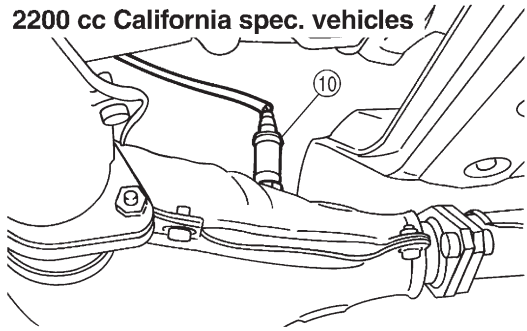


- ⑧ Front oxygen sensor
- ⑨ Rear oxygen sensor (Except 2200 cc California spec. vehicles)

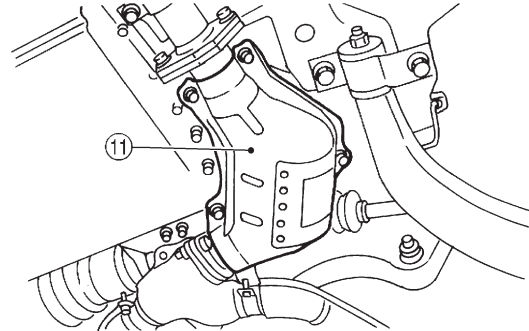
- ⑩ Rear oxygen sensor (2200 cc California spec. vehicles)
- ⑪ Front catalytic converter
- ⑫ Rear catalytic converter



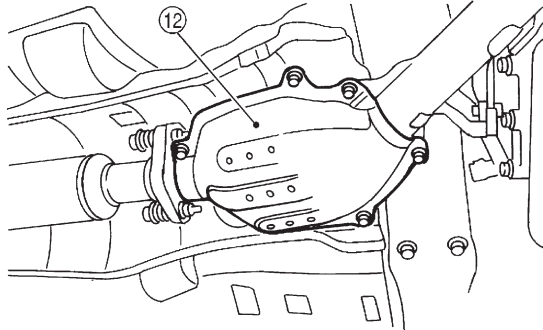
2200 cc California spec. vehicles



B2M0473C

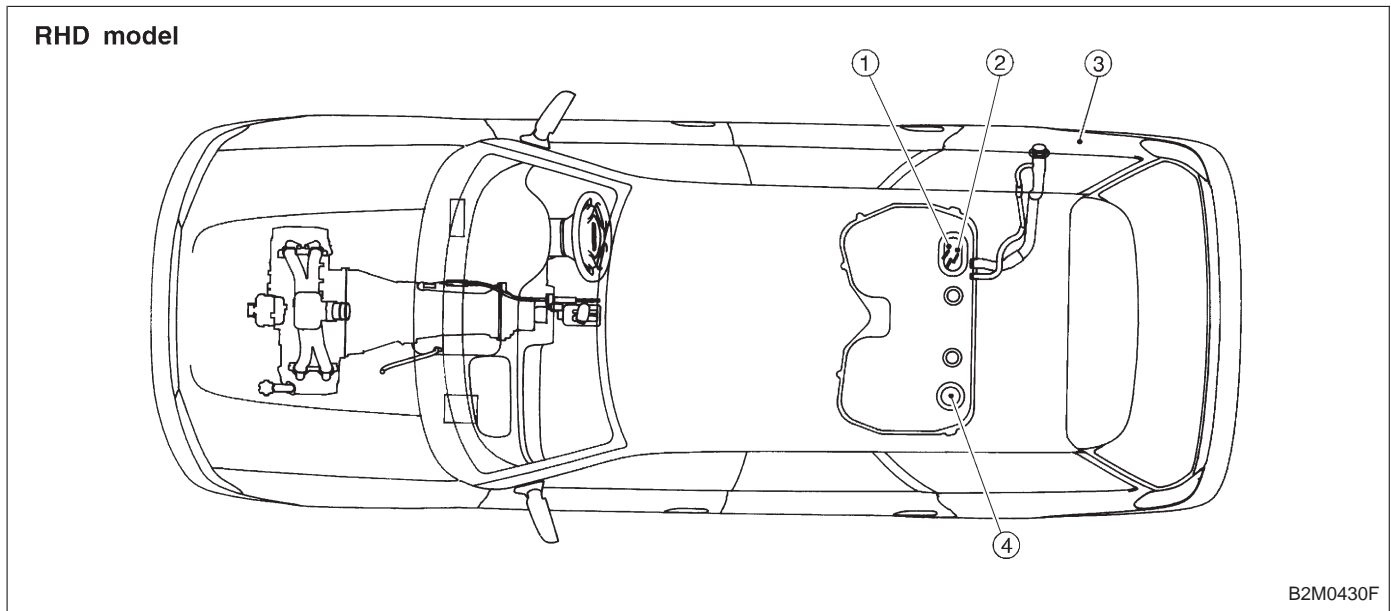
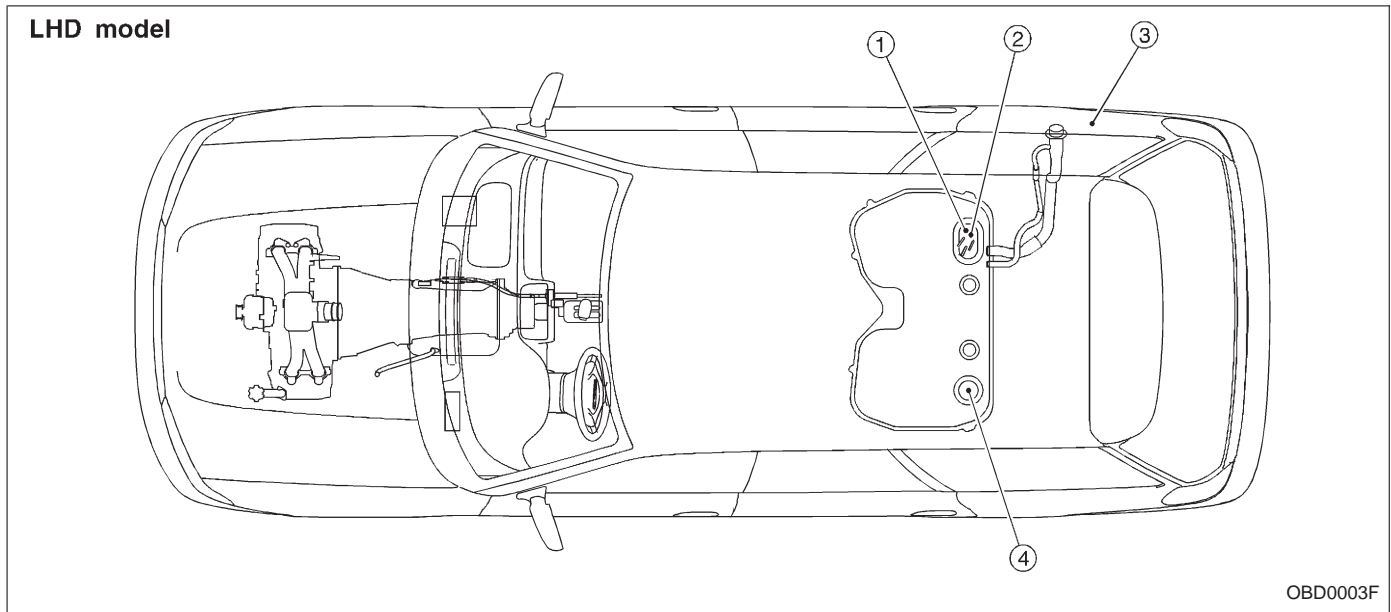


OBD0524C



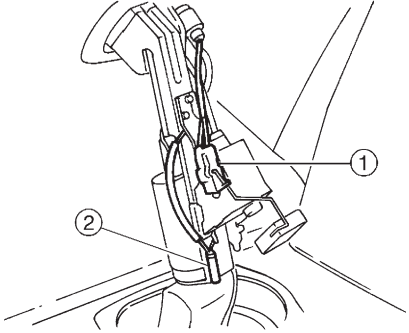
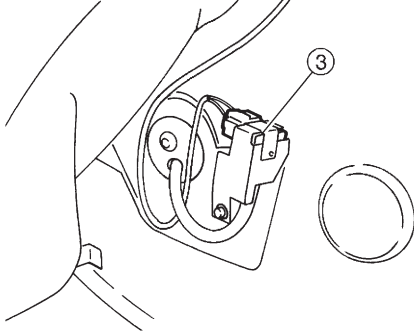
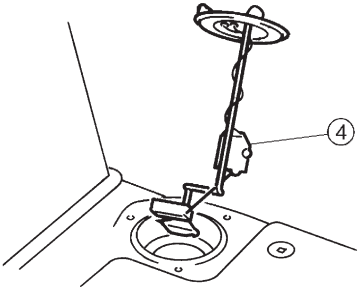
OBD0525C

SUBARU.

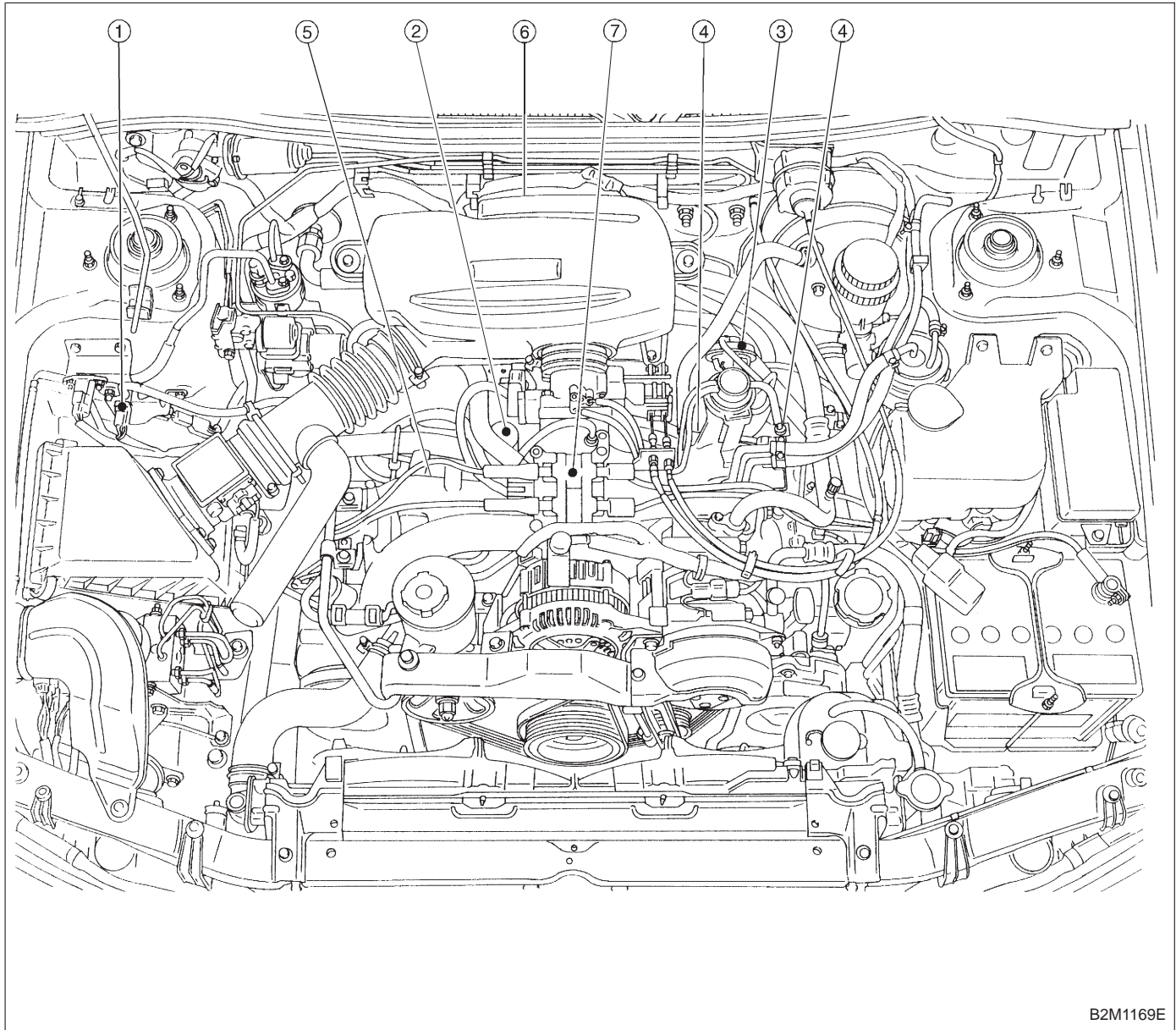


- ① Fuel level sensor
- ② Fuel temperature sensor (2200 cc AWD except Taiwan spec. vehicles)

- ③ Fuel tank pressure sensor (2200 cc AWD except Taiwan spec. vehicles)
- ④ Fuel sub level sensor

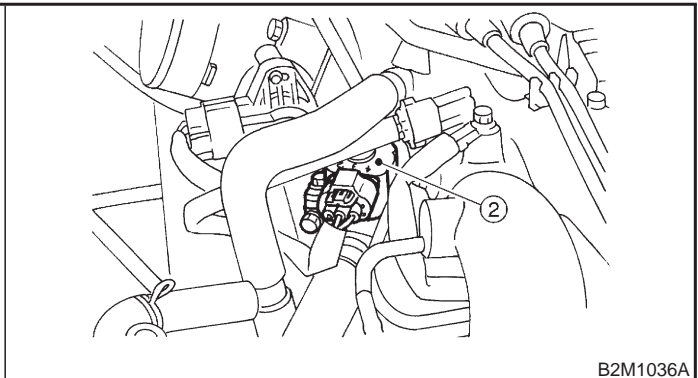
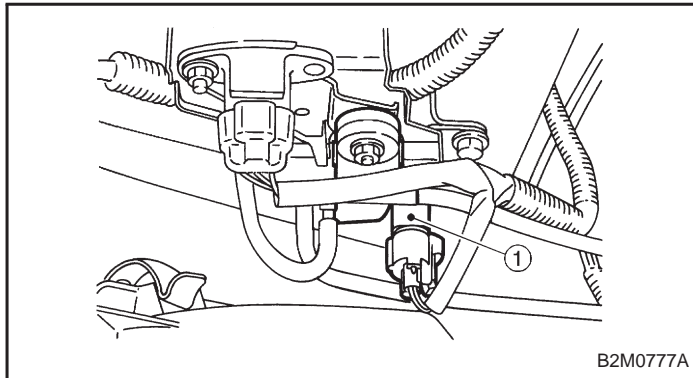
 <p>B2M0921A</p>	 <p>B2M0922A</p>
 <p>B2M0946A</p>	<p>SUBARU.</p>

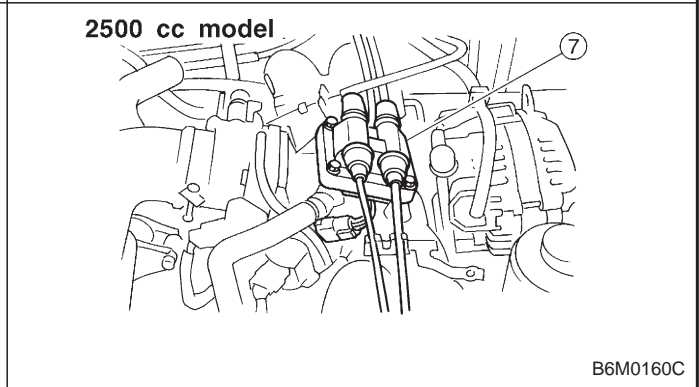
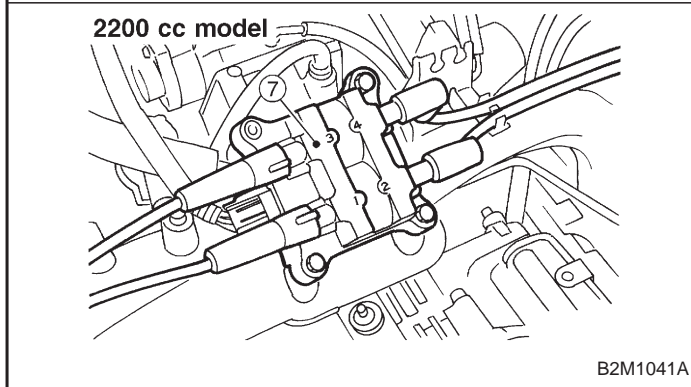
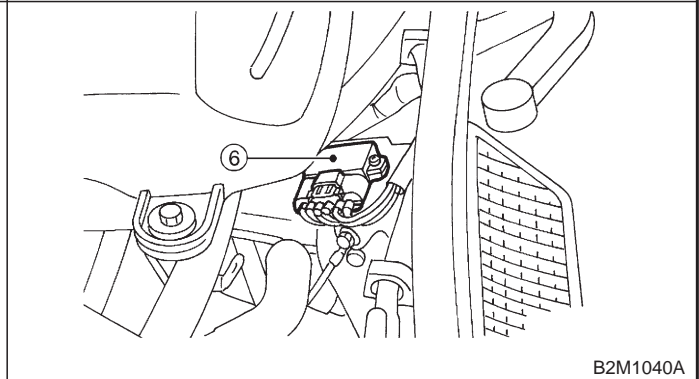
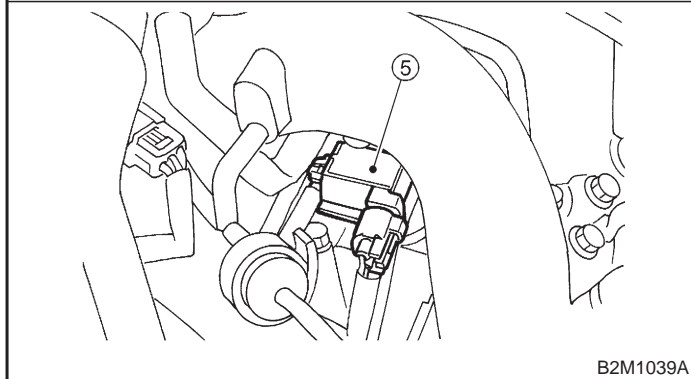
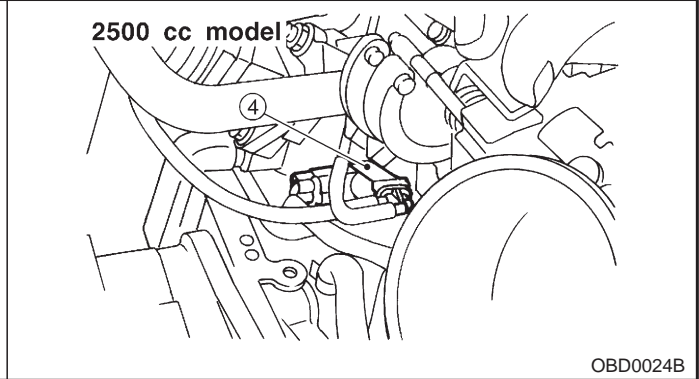
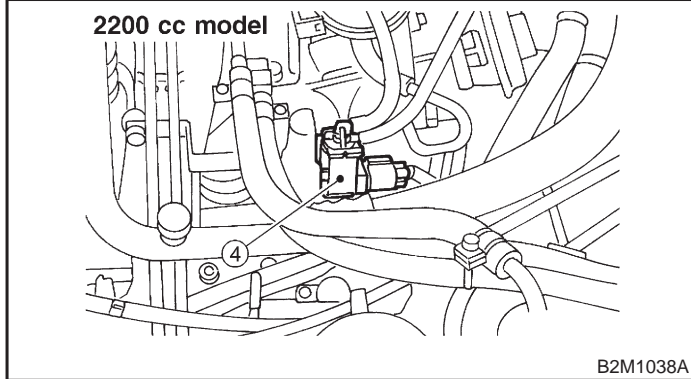
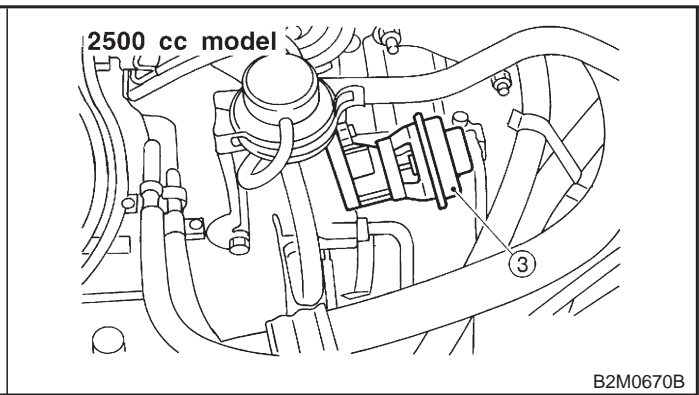
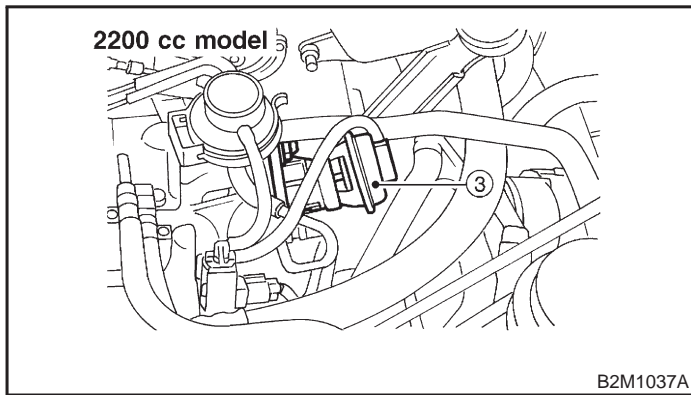
3. SOLENOID VALVE, EMISSION CONTROL SYSTEM PARTS AND IGNITION SYSTEM PARTS

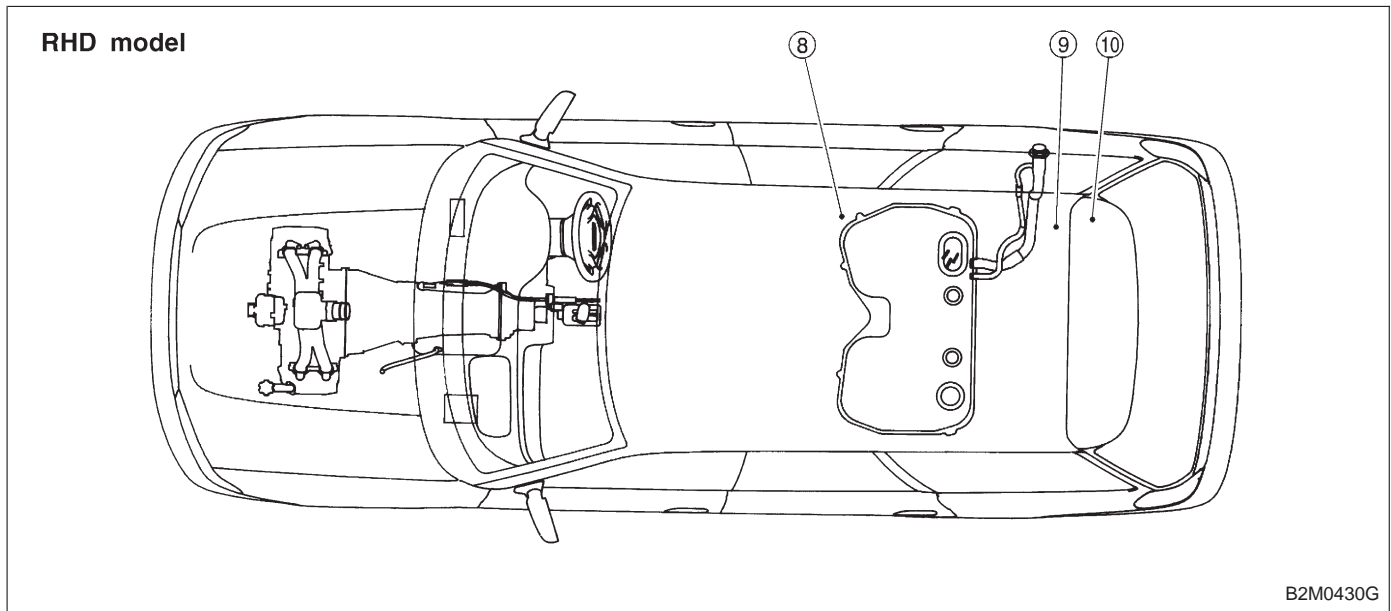
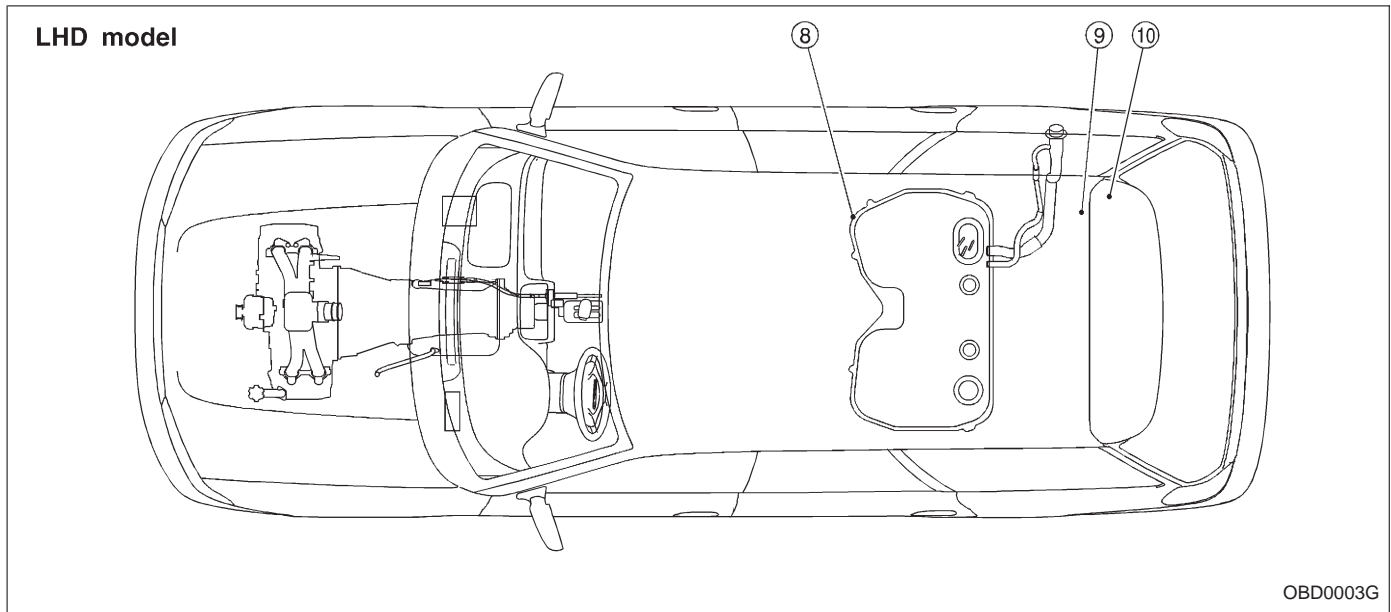


- ① Pressure sources switching solenoid valve
- ② Idle air control solenoid valve
- ③ EGR valve (Except 2200 cc MT vehicles)
- ④ EGR control solenoid valve (Except 2200 cc MT vehicles)

- ⑤ Purge control solenoid valve
- ⑥ Ignitor
- ⑦ Ignition coil



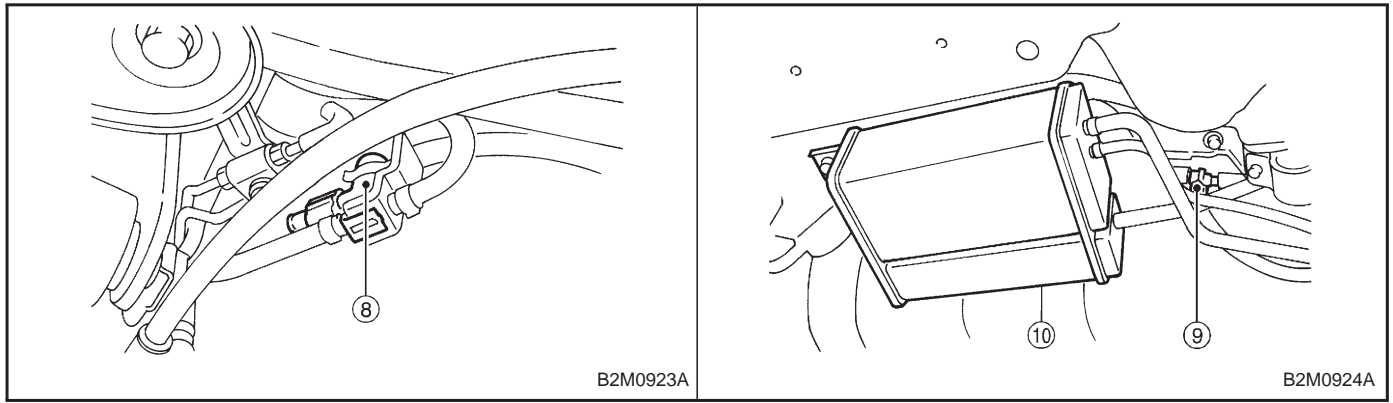


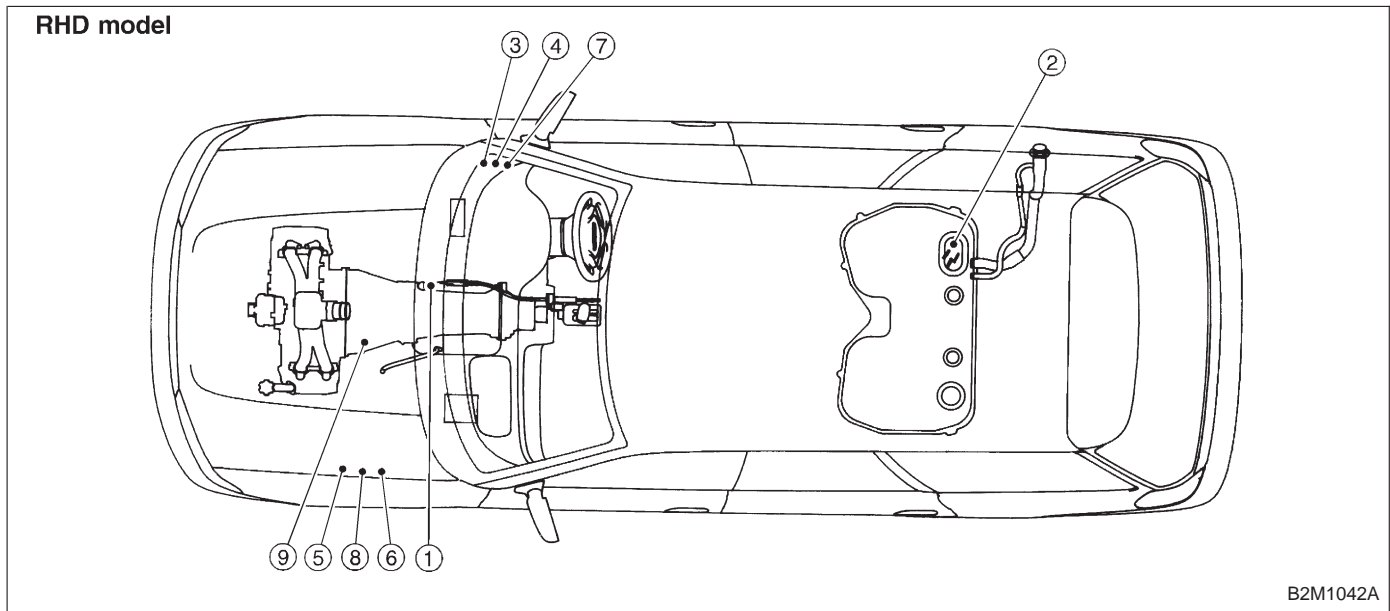
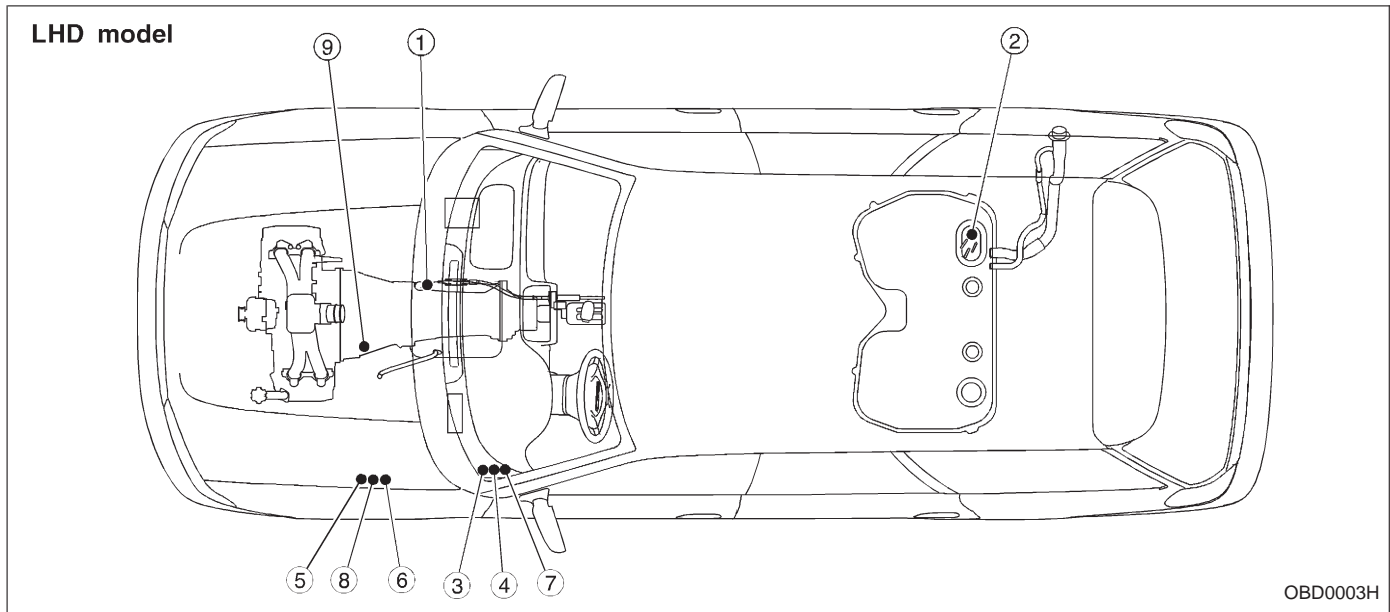


⑧ Pressure control solenoid valve (2200 cc AWD except Taiwan spec. vehicles)

⑨ Vent control solenoid valve (2200 cc except AWD Taiwan spec. vehicles)

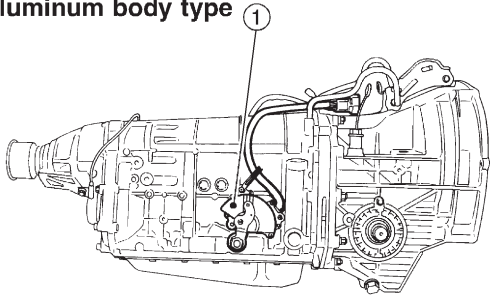
⑩ Canister (2200 cc AWD except Taiwan spec. vehicles)





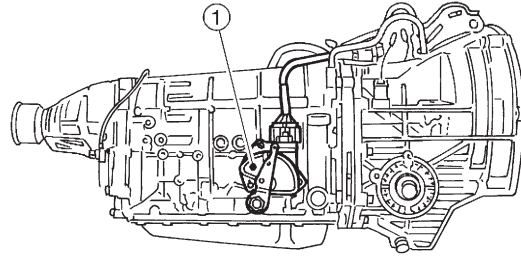
- | | |
|--|---|
| ① Inhibitor switch (AT vehicles only) | ⑥ Radiator main fan relay 2 (With A/C models only) |
| ② Fuel pump | ⑦ Radiator sub fan relay 1 (With A/C models)
Main fan relay (Without A/C models) |
| ③ Main relay | ⑧ Radiator sub fan relay 2 (With A/C models only) |
| ④ Fuel pump relay | ⑨ Starter |
| ⑤ Radiator main fan relay 1 (With A/C models only) | |

Aluminum body type

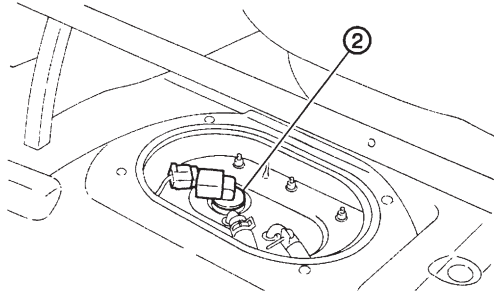


OBD0047C

Plastic body type

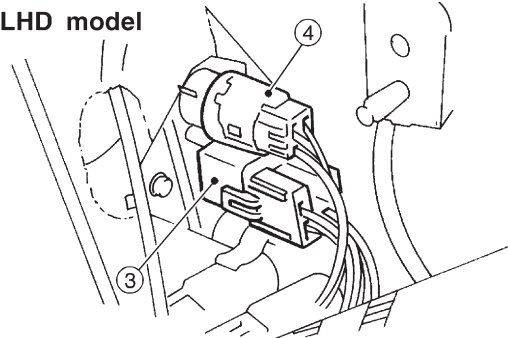


B2M1043E



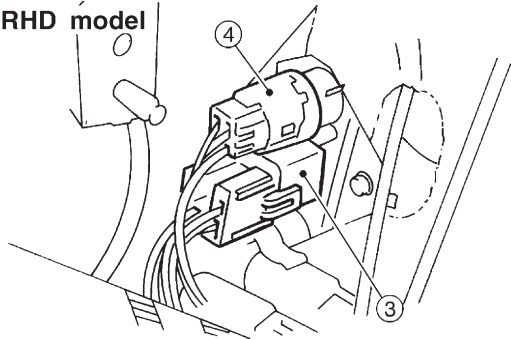
B2M0216A

LHD model

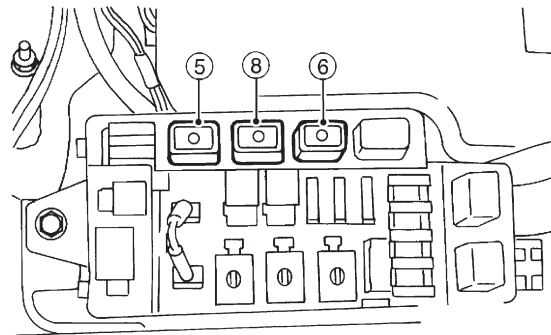


B2M0218C

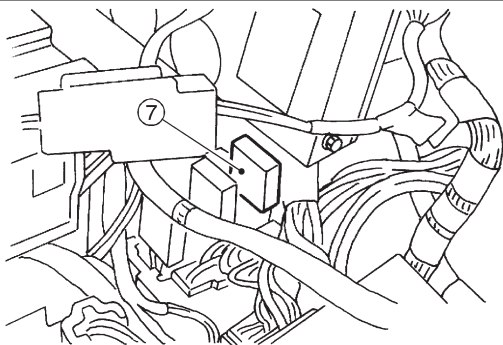
RHD model



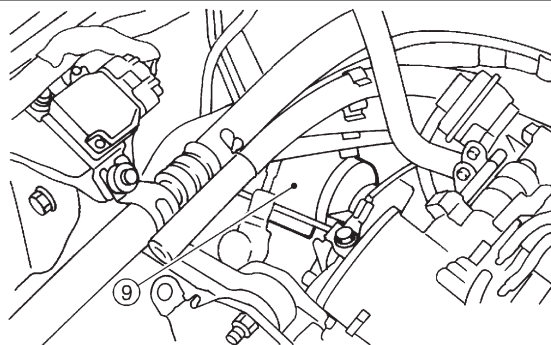
B2M0434B



OBD0034A



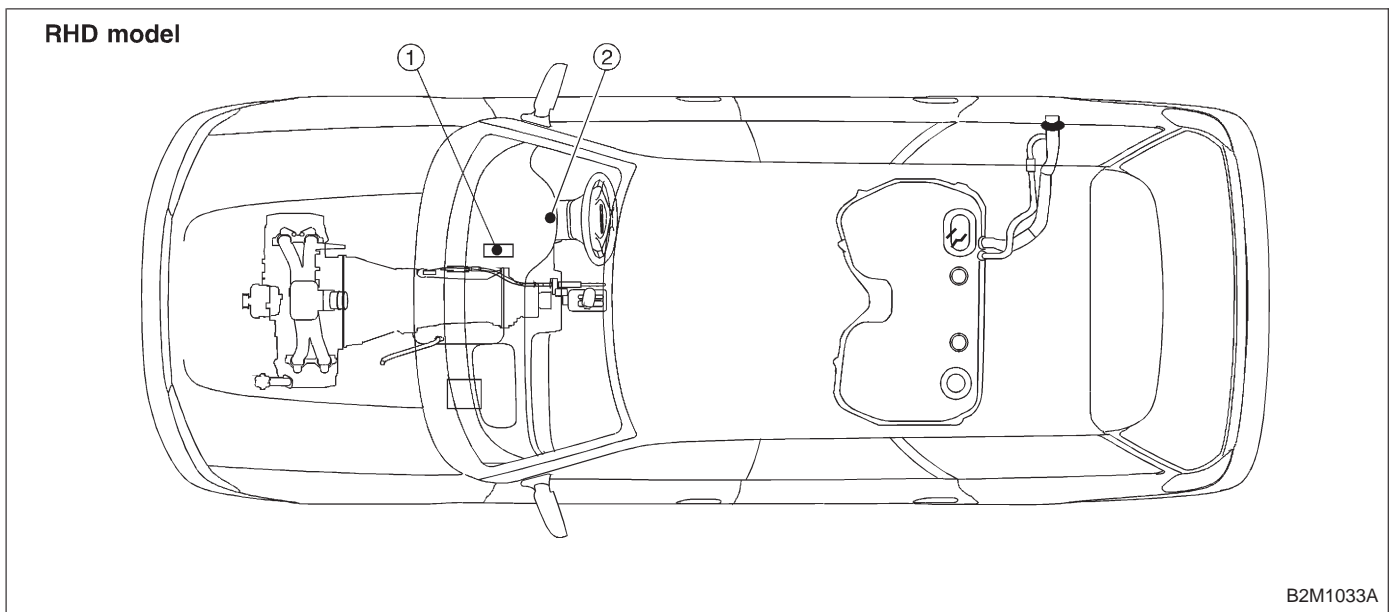
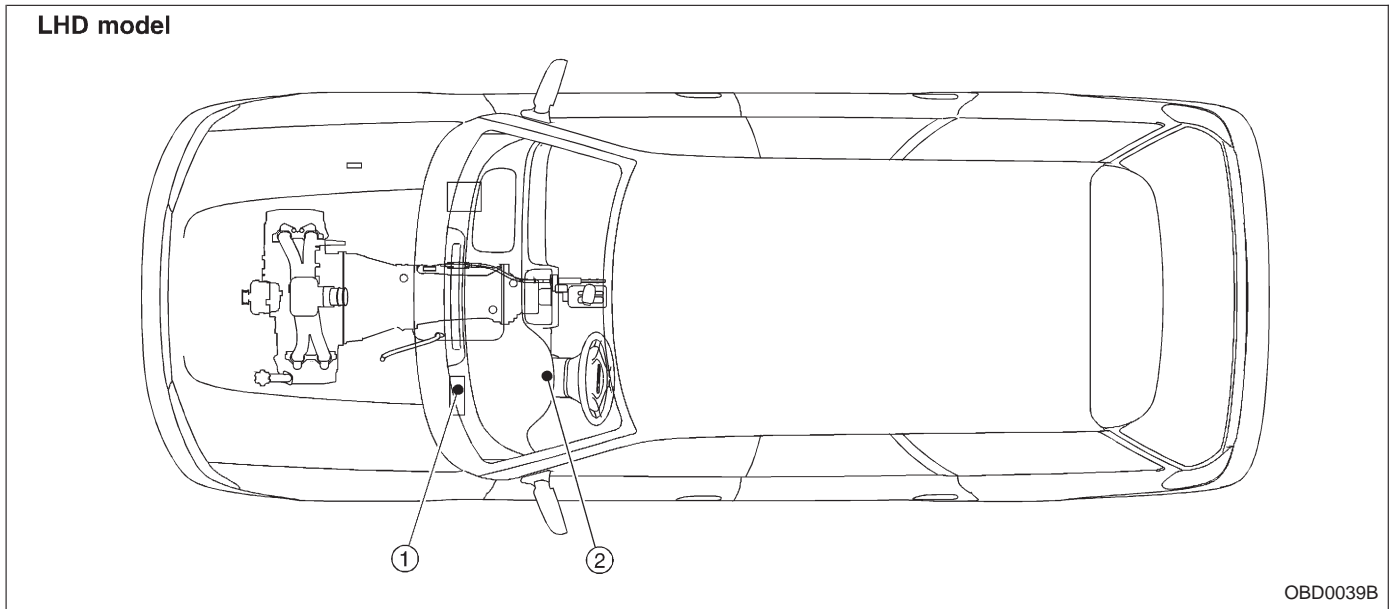
OBD0036A



OBD0038A

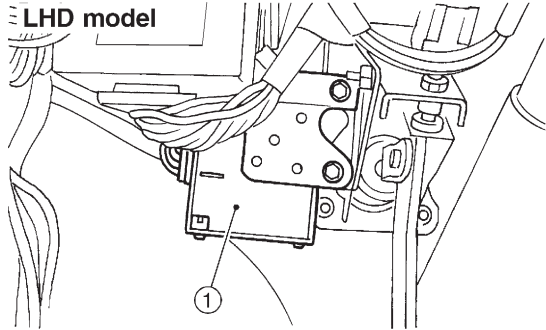
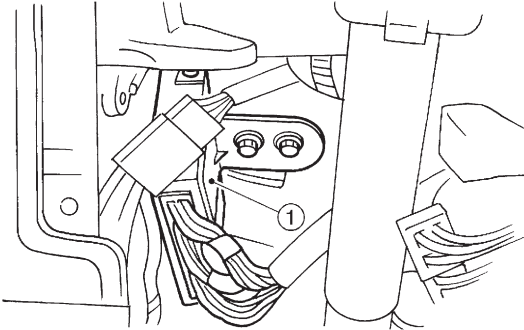
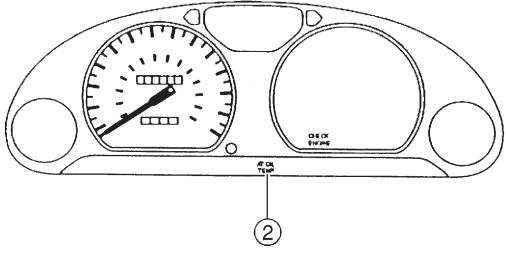
B: TRANSMISSION

1. MODULE

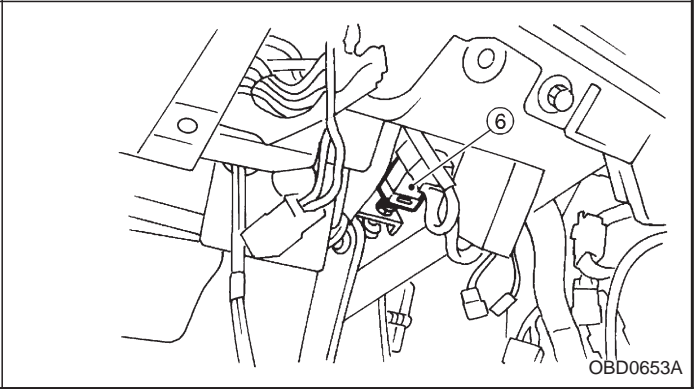
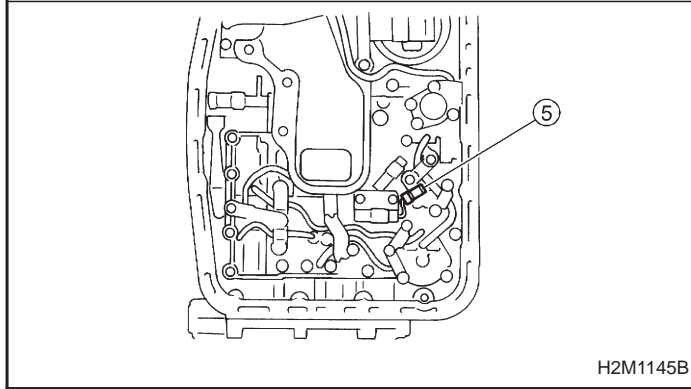
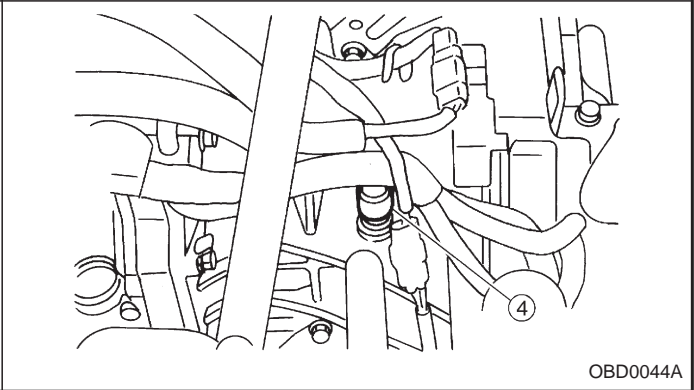
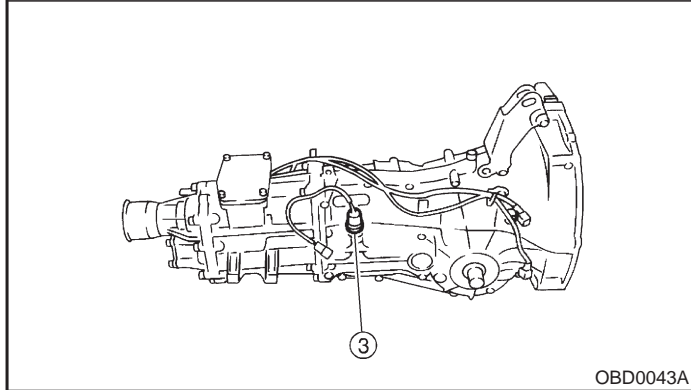
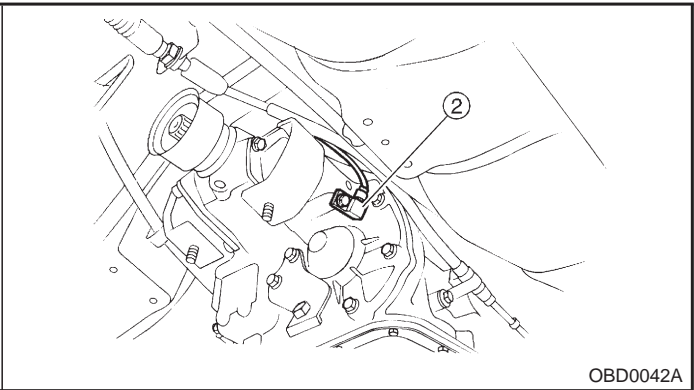
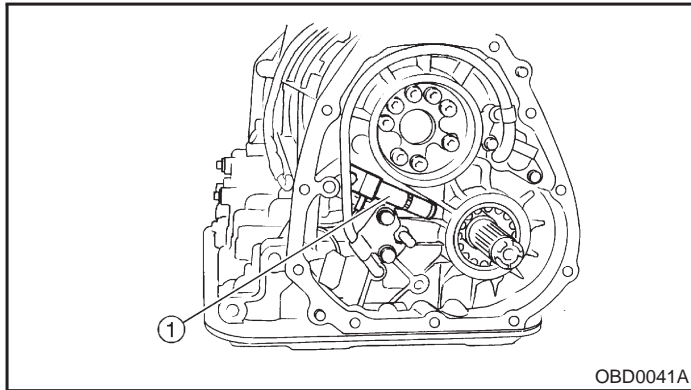


① Transmission Control Module (TCM) [AT vehicles]

② AT diagnostic indicator light [AT vehicles]

<p>LHD model</p>  <p>B3M0443F</p>	<p>RHD model</p>  <p>B3M0445D</p>
 <p>B2M0470B</p>	<p>SUBARU.</p>

2. SENSOR

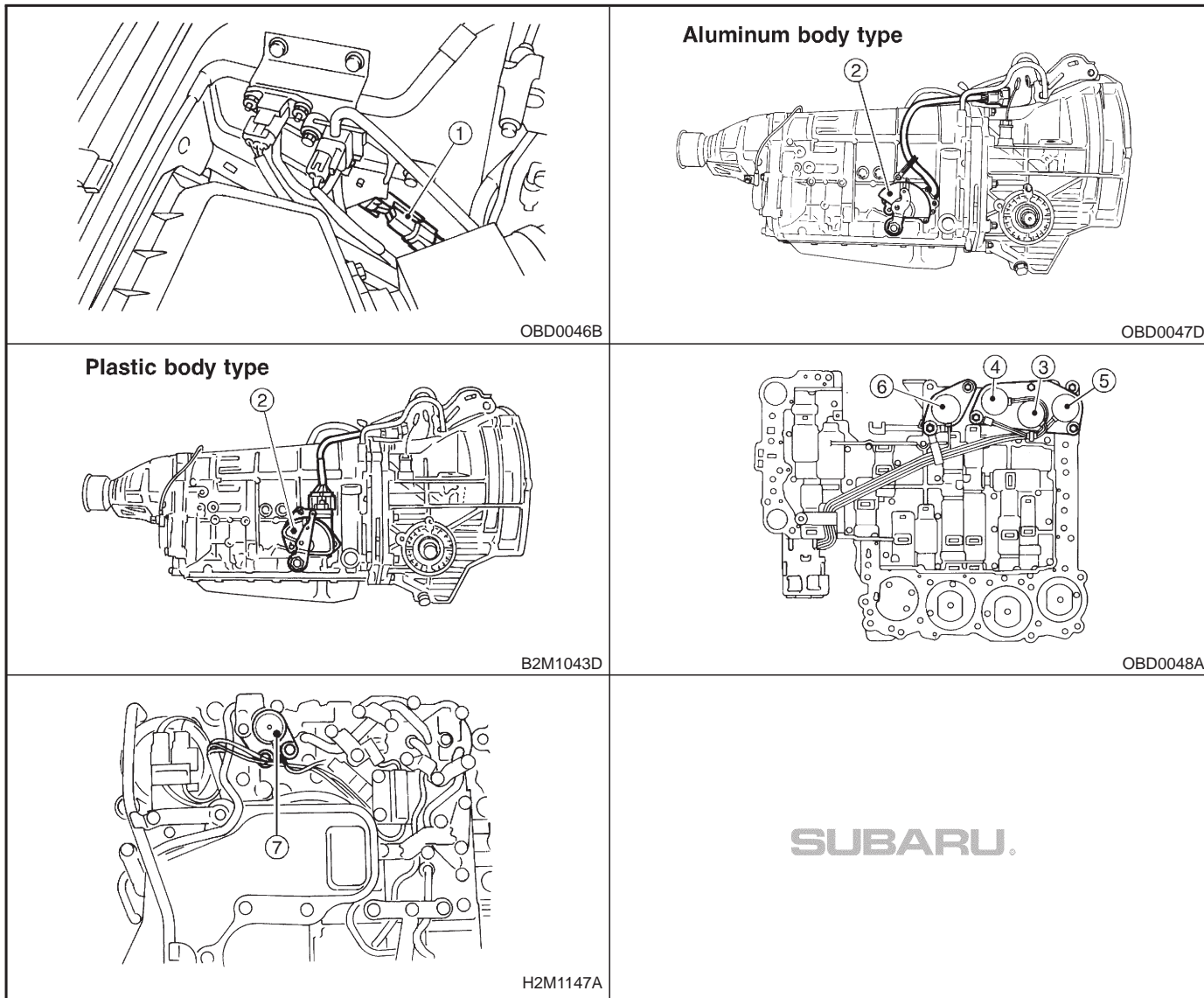


- ① Vehicle speed sensor 1 [AT FWD vehicles]
- ② Vehicle speed sensor 1 [AT AWD vehicles]
- ③ Vehicle speed sensor 2 [MT vehicles]

- ④ Vehicle speed sensor 2 [AT vehicles]
- ⑤ ATF temperature sensor [AT vehicles]
- ⑥ Brake light switch

3. SOLENOID VALVE AND RELAY

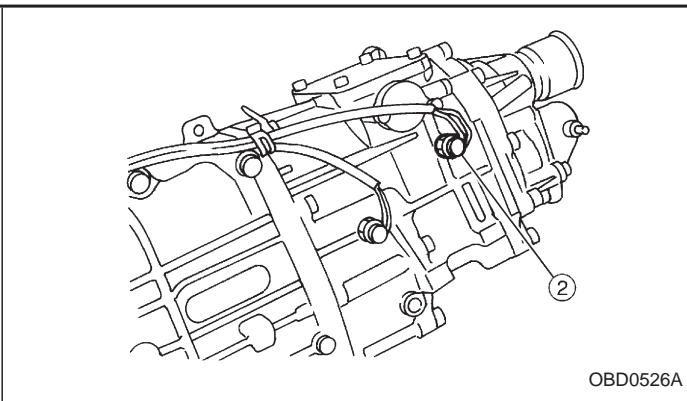
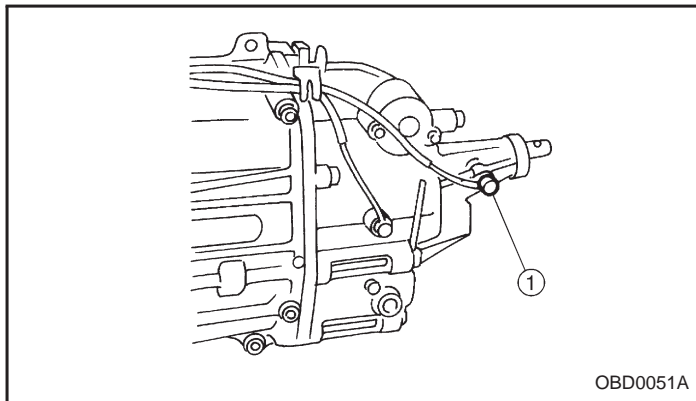
● For AT vehicles



- ① Dropping resistor
- ② Inhibitor switch
- ③ Shift solenoid valve 1
- ④ Shift solenoid valve 2

- ⑤ Shift solenoid valve 3
- ⑥ Duty solenoid valve A
- ⑦ Duty solenoid valve B

● For MT vehicles



① Neutral position switch (FWD models)

② Neutral position switch (AWD models)