

CAUTION:

- Observe the items in 1. NORMAL CHARGING 6-2 [W2C1].
- Never use more than 10 amperes when charging the battery because that will shorten battery life.

3. JUDGMENT OF BATTERY IN CHARGED CONDITION

- 1) Specific gravity of electrolyte is held at a specific value in a range from 1.250 to 1.290 for more than one hour.
- 2) Voltage per battery cell is held at a specific value in a range from 2.5 to 2.8 volts for more than one hour.

4. CHECK HYDROMETER FOR STATE OF CHARGE

Hydrometer indicator	State of charge	Required action
Green dot	Above 65%	Load test
Dark dot	Below 65%	Charge battery
Clear dot	Low electrolyte	Replace battery.* (If cranking complaint)

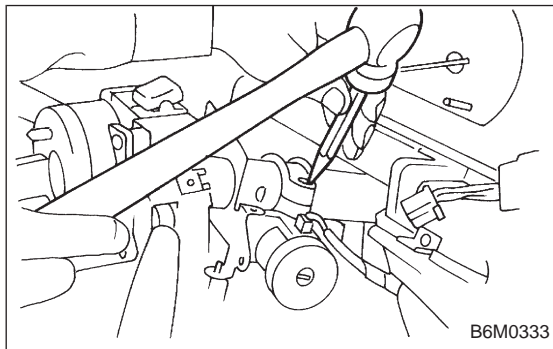
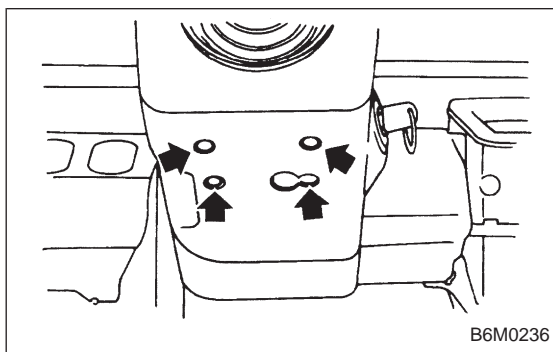
*: Check electrical system before replacement.

3. Ignition Switch

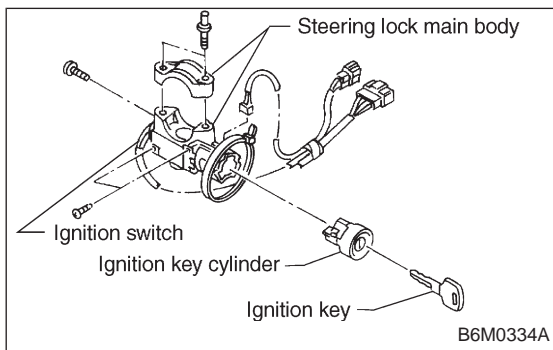
A: REMOVAL AND INSTALLATION

1. IGNITION SWITCH

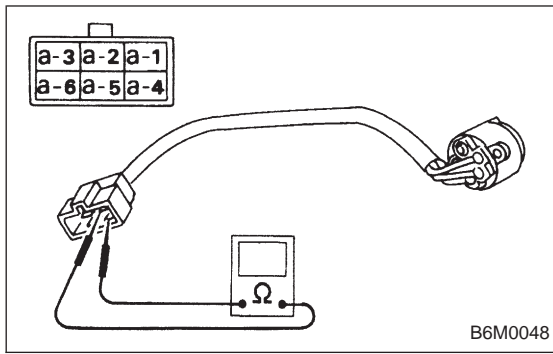
- 1) Remove screws, separate upper column cover and lower column cover.
- 2) Remove instrument panel lower cover.



- 3) Disconnect ignition switch connector from body harness.
- 4) Using a drift and hammer, hit the torn bolt head to loosen and remove the ignition switch.



- 5) When installing, tighten the connecting bolt until its head twists off.

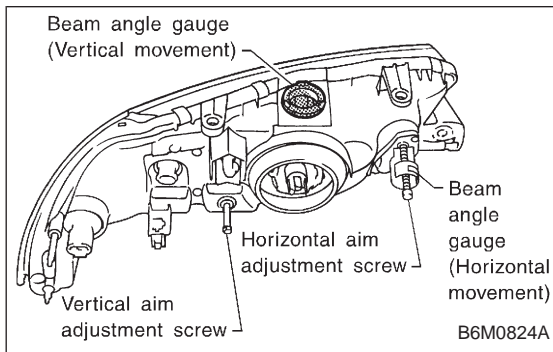


B: INSPECTION

1. IGNITION SWITCH (ON-CAR)

- 1) Remove instrument panel lower cover.
- 2) Remove lower column cover.
- 3) Unfasten holddown clip which secures harness, and disconnect connector of ignition switch from body harness.
- 4) Turn ignition key to each position and check continuity between terminals of ignition switch connector.

Position	Terminal	a-1	a-2	a-5	a-4
LOCK					
ACC		○	○		
ON		○	○	○	
START		○	○	○	○



4. Headlight

A: ADJUSTMENT

1. HEADLIGHT AIMING

- 1) Adjust the headlight aiming by turning the adjusting screws.

CAUTION:

Before checking the headlight aiming, be sure of the following:

- Turn off the light before adjusting headlight aiming. If the light is necessary to check aiming, do not turn on for more than two minutes.
- The area around the headlight has not sustained any accident, damage or other type of deformation.
- Vehicle is parked on level ground.
- The inflation pressure of tires is correct.
- Vehicle's gas tank is fully charged.
- Bounce the vehicle several times to normalize the suspension.
- Make certain that someone is seated in the driver's seat.

NOTE:

Adjust vertical aim first, then horizontal aim.