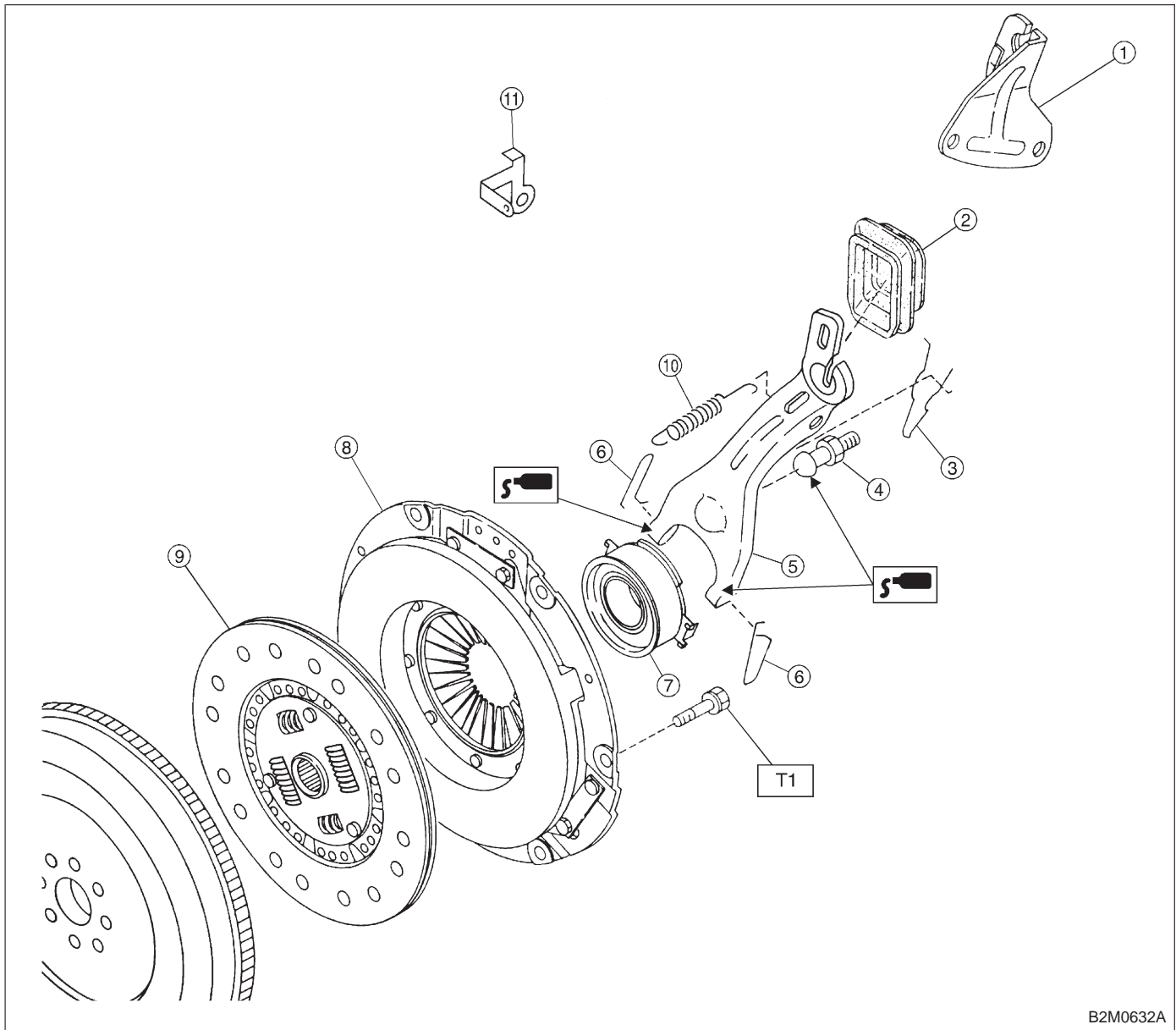


1. Clutch System

1. MECHANICAL APPLICATION TYPE

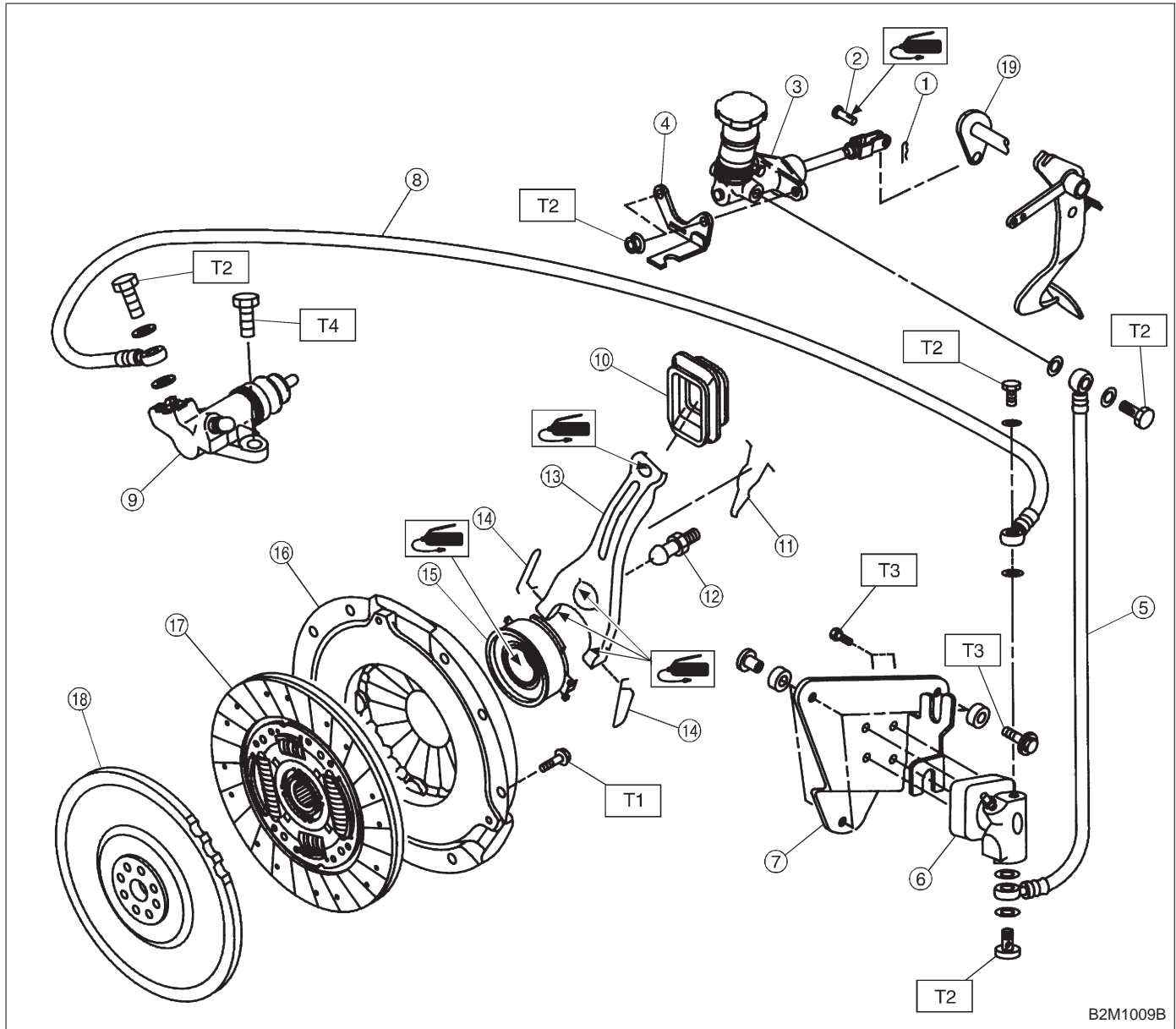


- ① Clutch cable bracket
- ② Clutch release lever sealing
- ③ Retainer spring
- ④ Pivot
- ⑤ Clutch release lever
- ⑥ Clip
- ⑦ Clutch release bearing
- ⑧ Clutch cover

- ⑨ Clutch disc
- ⑩ Return spring (Models without hill holder only)
- ⑪ Clutch return spring bracket

Tightening torque: N·m (kg·m, ft·lb)
T1: 15.7±1.5 (1.6±0.15, 11.6±1.1)

2. HYDRAULIC APPLICATION TYPE



B2M1009B

- ① Snap pin
- ② Clevis pin
- ③ Master cylinder ASSY
- ④ Bracket
- ⑤ Clutch hose B
- ⑥ Clutch damper
- ⑦ Damper bracket
- ⑧ Clutch hose A
- ⑨ Operating cylinder

- ⑩ Clutch release lever sealing
- ⑪ Retainer spring
- ⑫ Pivot
- ⑬ Release lever
- ⑭ Clip
- ⑮ Release bearing
- ⑯ Clutch cover
- ⑰ Clutch disc
- ⑱ Flywheel

- ⑲ Spacer

Tightening torque: N·m (kg·m, ft·lb)

- T1: 15.7±1.5**
 (1.6±0.15, 11.6±1.1)
T2: 18±3 (1.8±0.3, 13.0±2.2)
T3: 25±7 (2.5±0.7, 18.1±5.1)
T4: 37±3 (3.8±0.3, 27.5±2.2)