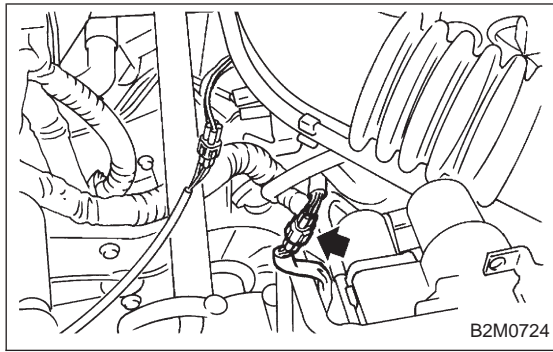
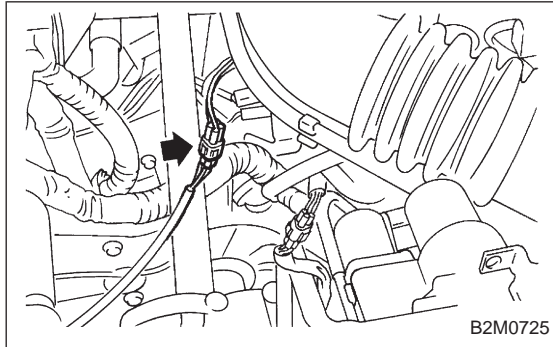


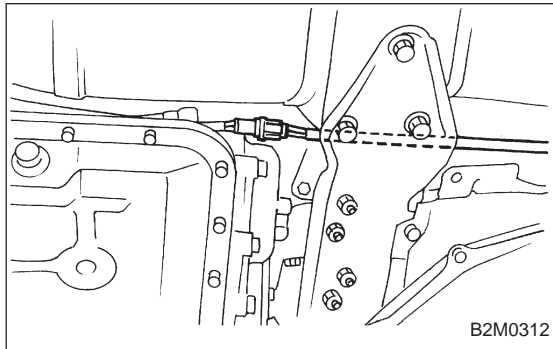
1. Front Catalytic Converter

**1. Front Catalytic Converter****A: REMOVAL**

1) Disconnect front oxygen sensor connector.

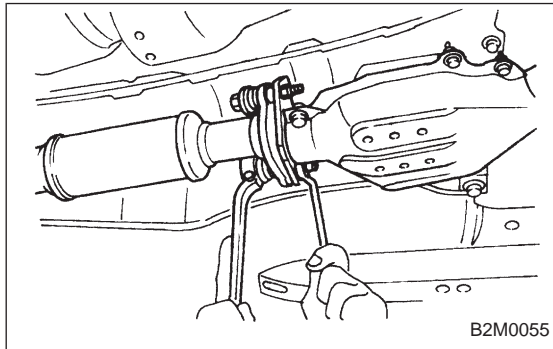


2) Disconnect rear oxygen sensor connector. (California 2200 cc model)

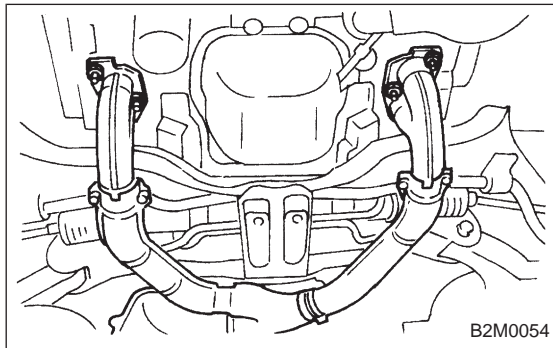


3) Lift-up the vehicle.

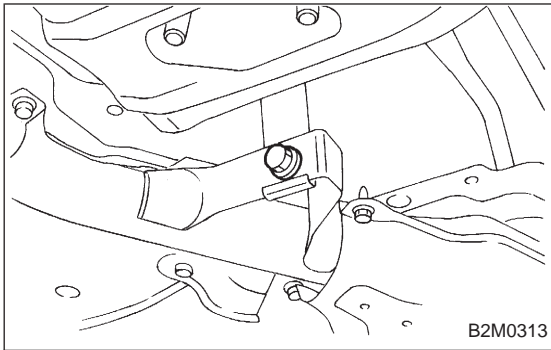
4) Disconnect rear oxygen sensor connector. (Except California 2200 cc model)



5) Separate center exhaust pipe from rear exhaust pipe.



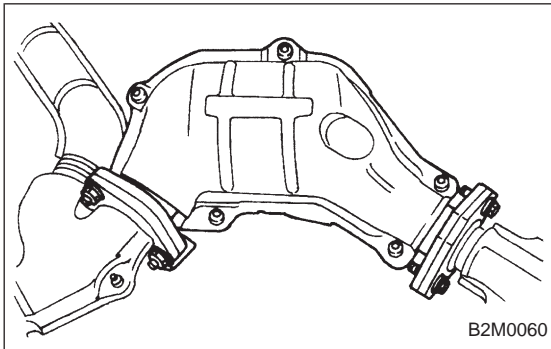
6) Remove bolts which hold front exhaust pipe onto cylinder heads.



7) Remove front exhaust pipe and center exhaust pipe from hanger bracket.

CAUTION:

Be careful not to pull down front exhaust pipe and center exhaust pipe.

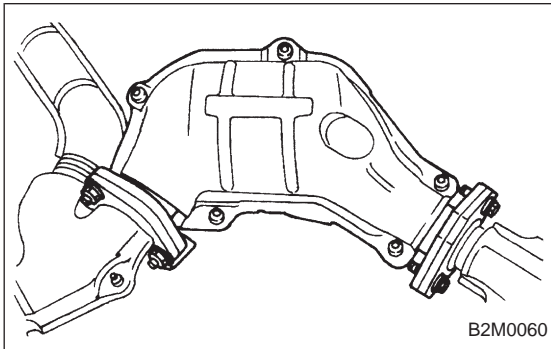


8) Separate front catalytic converter from front exhaust pipe and center exhaust pipe.

B: INSTALLATION

CAUTION:

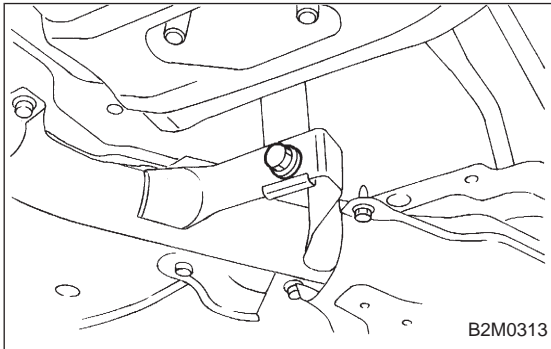
Replace gaskets with new ones.



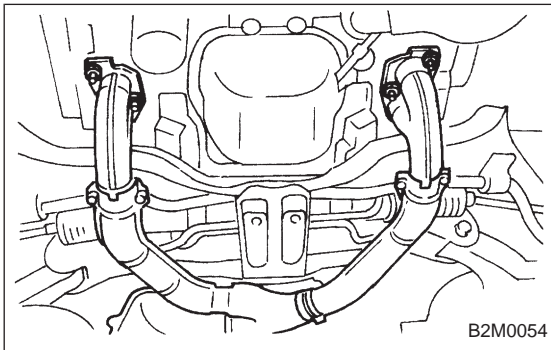
1) Install front catalytic converter to front exhaust pipe and center exhaust pipe.

Tightening torque:

$30 \pm 5 \text{ N}\cdot\text{m}$ ($3.1 \pm 0.5 \text{ kg}\cdot\text{m}$, $22.4 \pm 3.6 \text{ ft}\cdot\text{lb}$)



2) Install front exhaust pipe and center exhaust pipe. And temporarily tighten bolt which installs center exhaust pipe to hanger bracket.

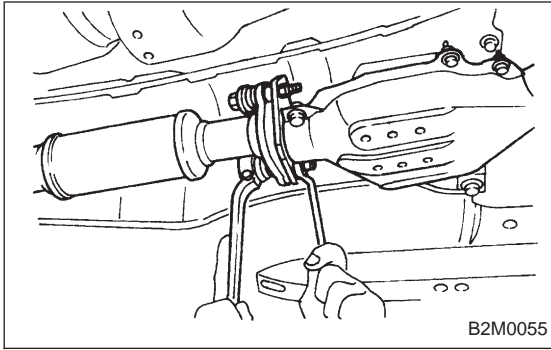


3) Tighten bolts which hold front exhaust pipe onto cylinder heads.

Tightening torque:

$30 \pm 5 \text{ N}\cdot\text{m}$ ($3.1 \pm 0.5 \text{ kg}\cdot\text{m}$, $22.4 \pm 3.6 \text{ ft}\cdot\text{lb}$)

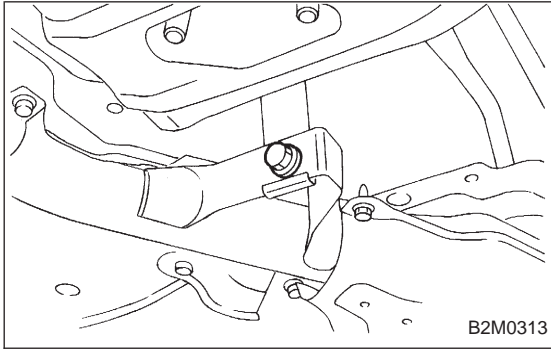
1. Front Catalytic Converter



4) Install center exhaust pipe to rear exhaust pipe.

Tightening torque:

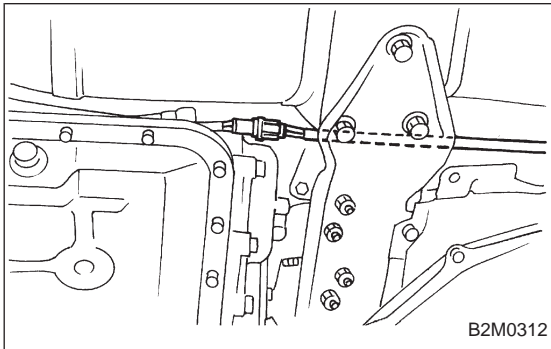
18 ± 5 N·m (1.8 ± 0.5 kg·m, 13.0 ± 3.6 ft·lb)



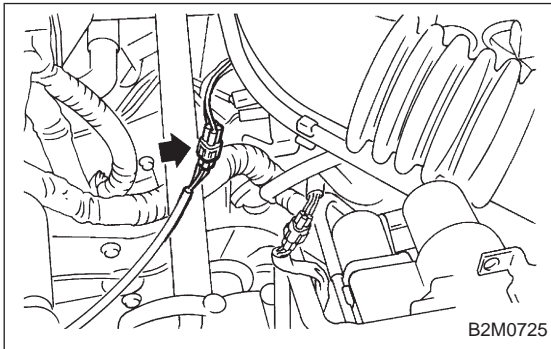
5) Tighten bolt which holds center exhaust pipe to hanger bracket.

Tightening torque:

35 ± 5 N·m (3.6 ± 0.5 kg·m, 26.0 ± 3.6 ft·lb)

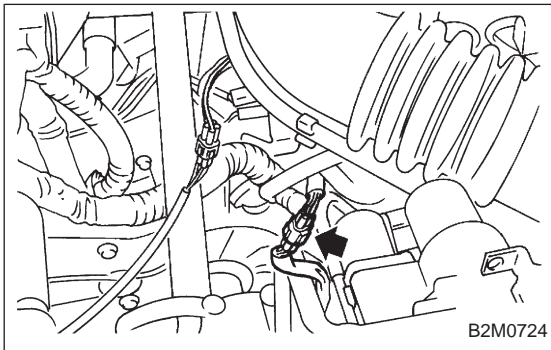


6) Connect rear oxygen sensor connector. (Except California 2200 cc model)



7) Lower the vehicle.

8) Connect rear oxygen sensor connector. (California 2200 cc model)



9) Connect front oxygen sensor connector.