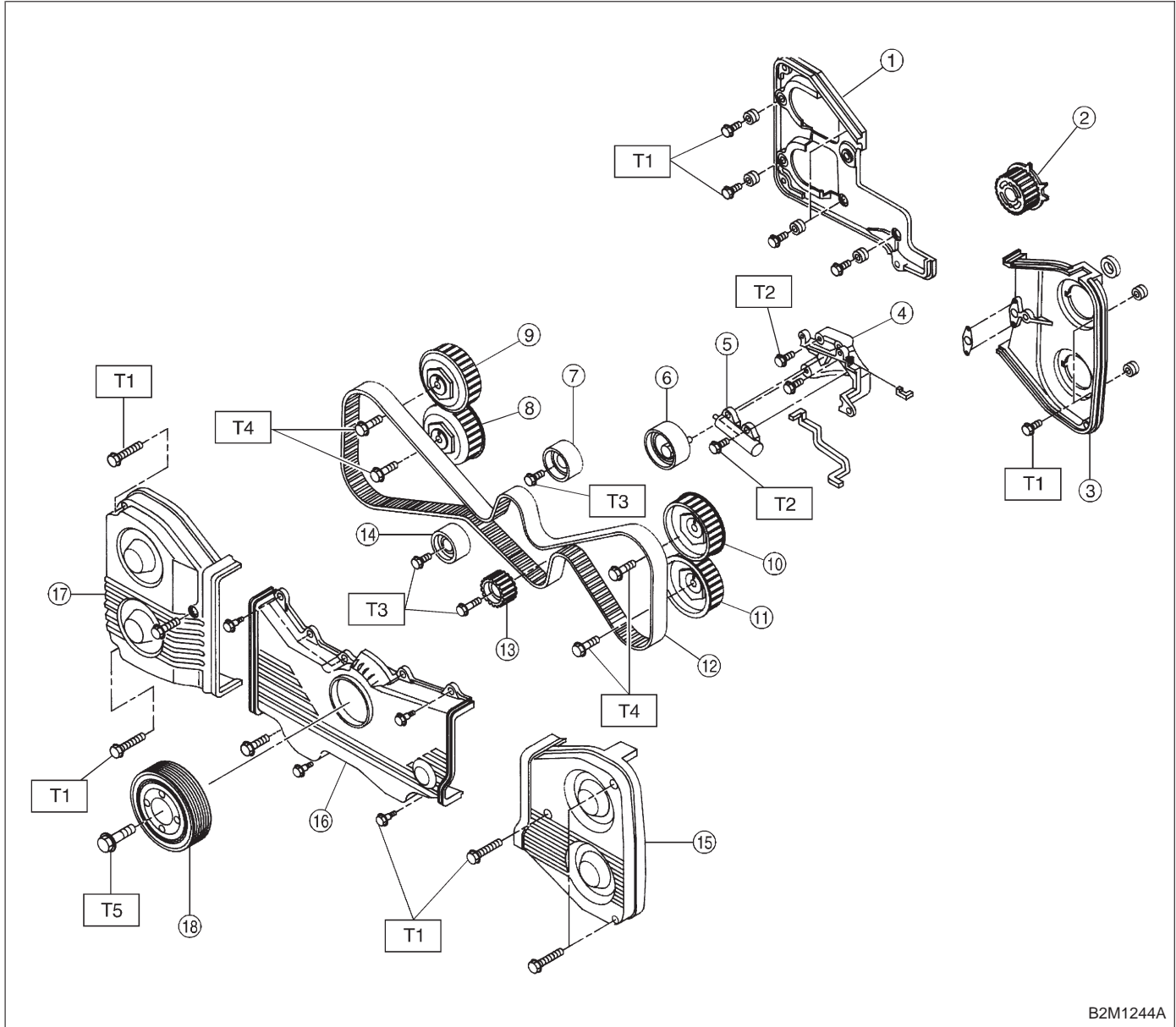


1. Timing Belt



B2M1244A

- ① Right-hand belt cover No. 2
- ② Crankshaft sprocket
- ③ Left-hand belt cover No. 2
- ④ Tensioner bracket
- ⑤ Tensioner adjuster
- ⑥ Belt tensioner
- ⑦ Belt idler
- ⑧ Right-hand exhaust camshaft sprocket
- ⑨ Right-hand intake camshaft sprocket
- ⑩ Left-hand intake camshaft sprocket
- ⑪ Left-hand exhaust camshaft sprocket
- ⑫ Timing belt
- ⑬ Belt idler No. 2

- ⑭ Belt idler
- ⑮ Left-hand belt cover
- ⑯ Front belt cover
- ⑰ Right-hand belt cover
- ⑱ Crankshaft pulley

Tightening torque: N·m (kg·m, ft·lb)

T1: 4.9±0.5 (0.5±0.05, 3.6±0.4)

T2: 25±2 (2.5±0.2, 18.1±1.4)

T3: 39±4 (4.0±0.4, 28.9±2.9)

T4: 78±5 (8.0±0.5, 57.9±3.6)

T5: 177±10 (18.0±1.0, 130±7)