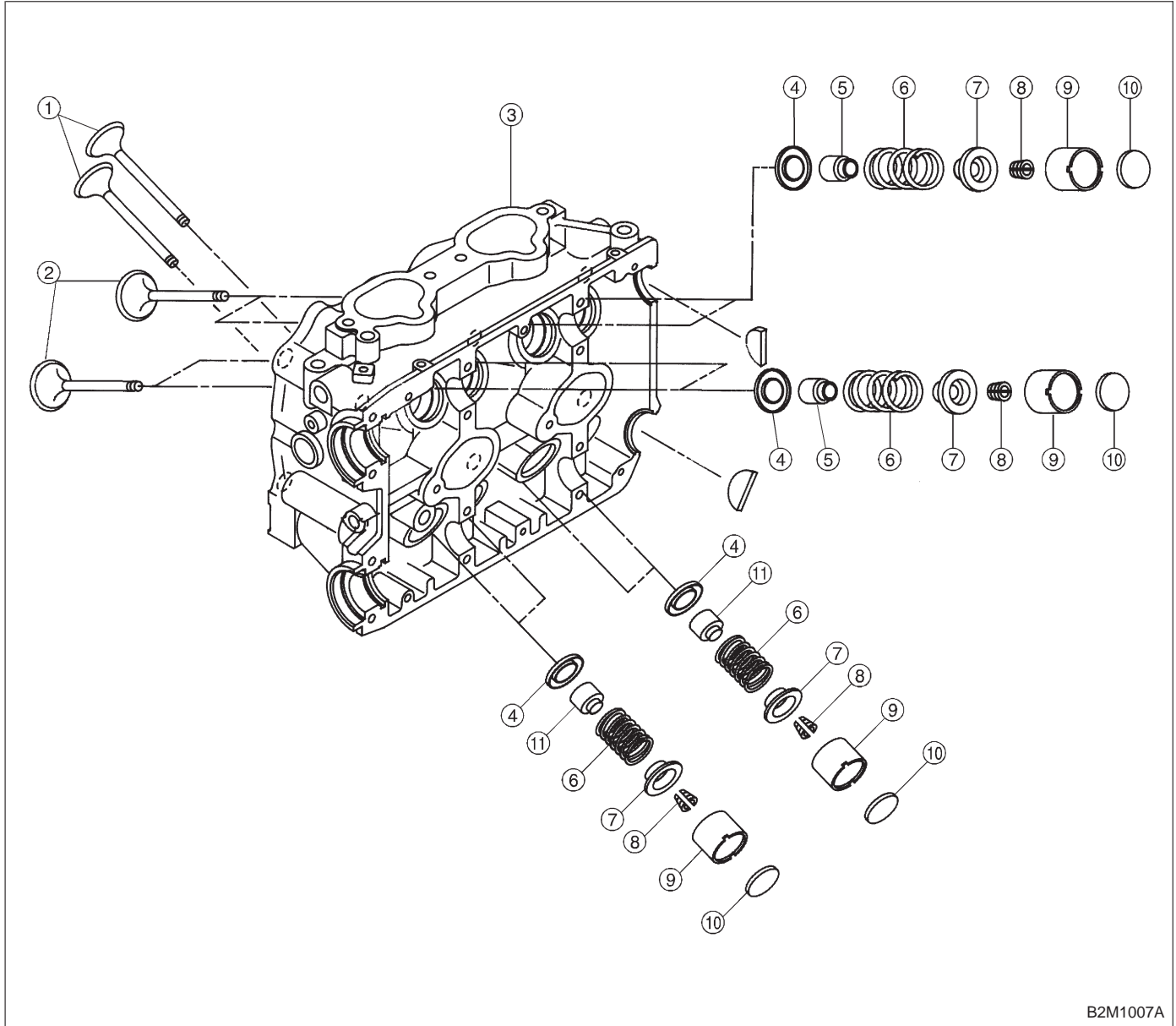


3. Cylinder Head and Valve Assembly



B2M1007A

- ① Exhaust valve
- ② Intake valve
- ③ Cylinder head
- ④ Valve spring seat
- ⑤ Intake valve oil seal
- ⑥ Valve spring

- ⑦ Retainer
- ⑧ Retainer key
- ⑨ Valve lifter
- ⑩ Shim
- ⑪ Exhaust valve oil seal