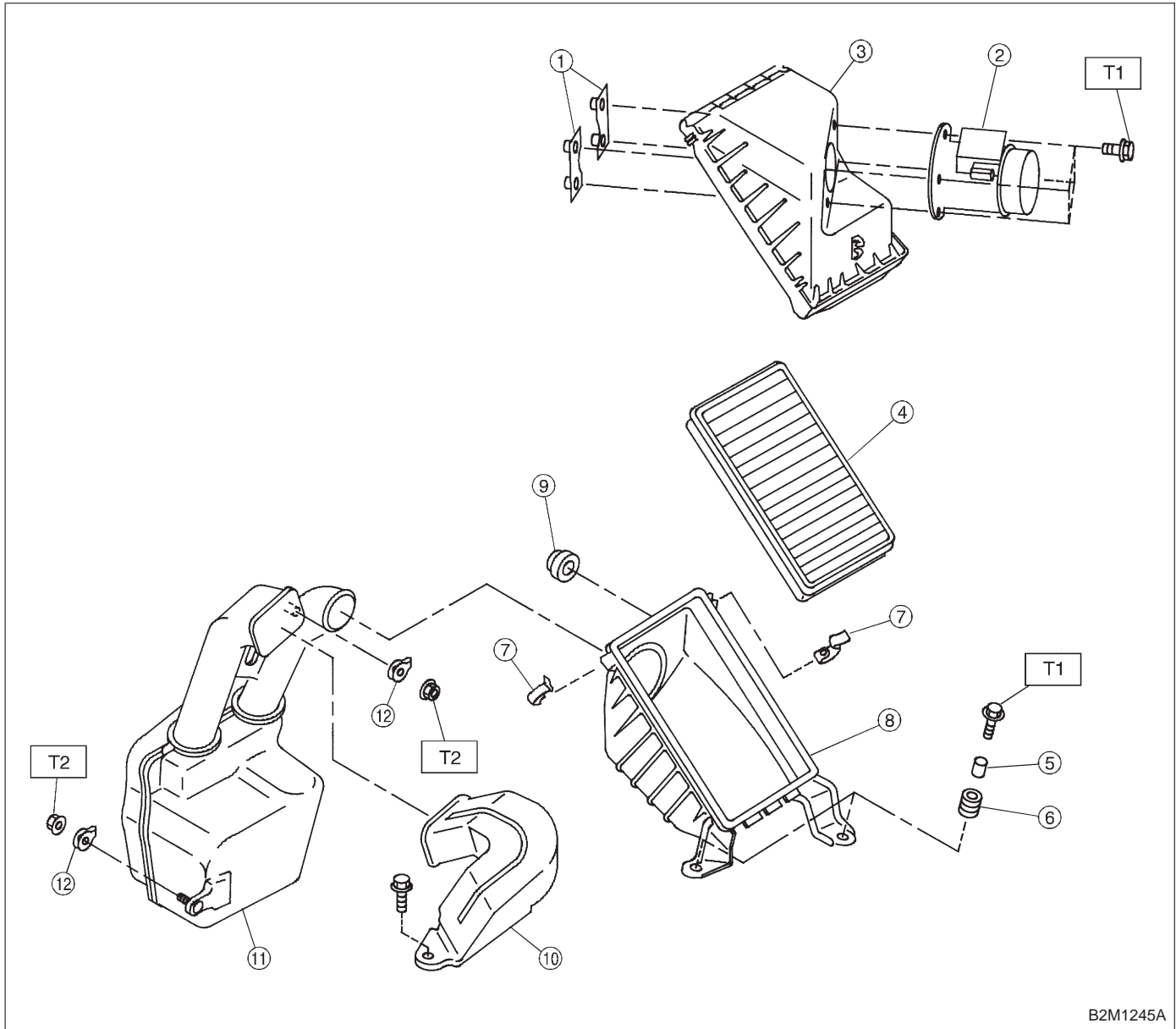


3. Air Cleaner



B2M1245A

- | | |
|--------------------------------|--------------------------|
| ① Mass air flow sensor bracket | ⑦ Clip |
| ② Mass air flow sensor ASSY | ⑧ Air cleaner case |
| ③ Air cleaner upper cover | ⑨ Cushion rubber |
| ④ Air cleaner element | ⑩ Air intake duct |
| ⑤ Spacer | ⑪ Resonator chamber ASSY |
| ⑥ Bush | ⑫ Clip |

Tightening torque: N·m (kg·m, ft·lb)
T1: 7.4±2.0 (0.75±0.2, 5.4±1.4)
T2: 33±10 (3.4±1.0, 25±7)