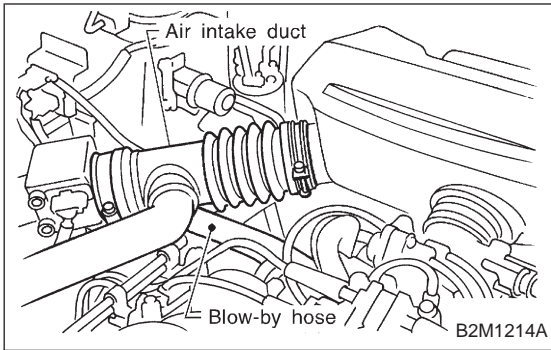


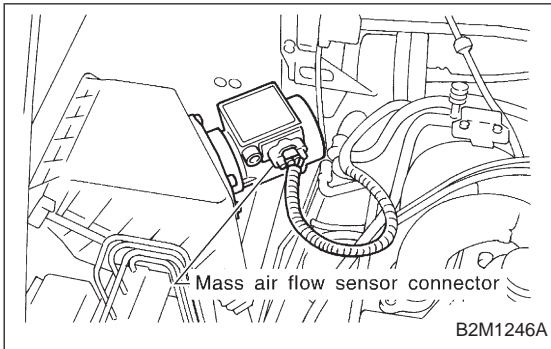
## 2. Mass Air Flow Sensor



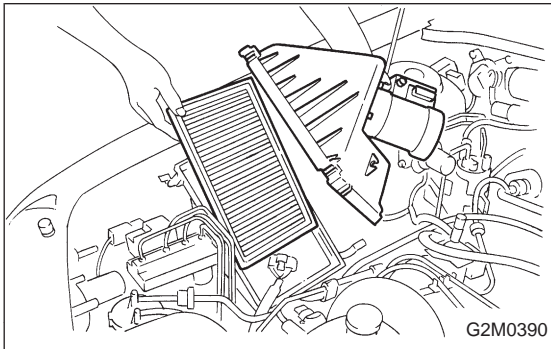
## 2. Mass Air Flow Sensor

## A: REMOVAL AND INSTALLATION

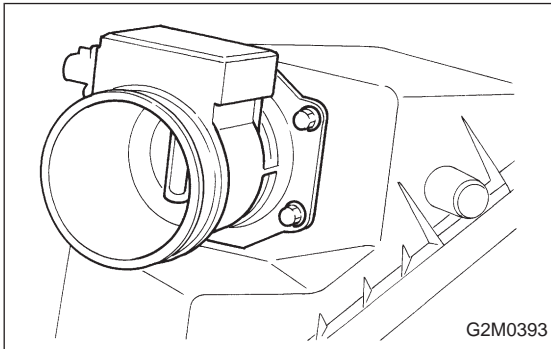
- 1) Loosen clamps which connect air intake duct to air intake chamber and mass air flow sensor.
- 2) Disconnect blow-by hose from air intake duct.
- 3) Remove air intake duct.



- 4) Disconnect connector from mass air flow sensor.



- 5) Remove two clips, then remove air cleaner upper cover.



- 6) Remove mass air flow sensor from air cleaner upper cover.

- 7) Installation is in the reverse order of removal.

**Tightening torque:**

**$7.4 \pm 2.0 \text{ N}\cdot\text{m}$  ( $0.75 \pm 0.2 \text{ kg}\cdot\text{m}$ ,  $5.4 \pm 1.4 \text{ ft}\cdot\text{lb}$ )**

**CAUTION:**

**Before installing air cleaner upper cover, align holes with protruding portions of air cleaner lower case, then secure upper cover to lower case.**