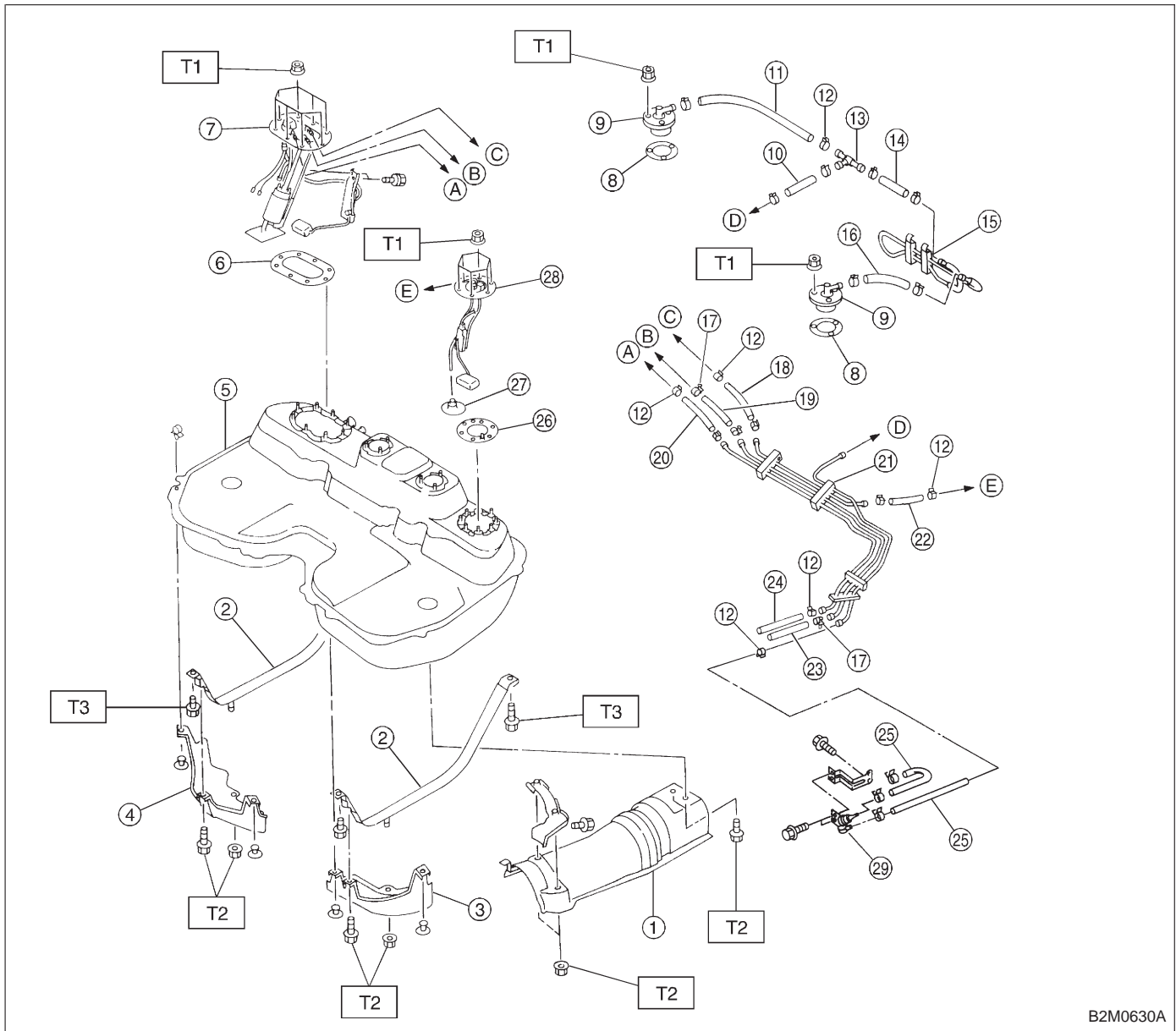


1. Fuel Tank

1. 2500 cc AWD MODEL



B2M0630A

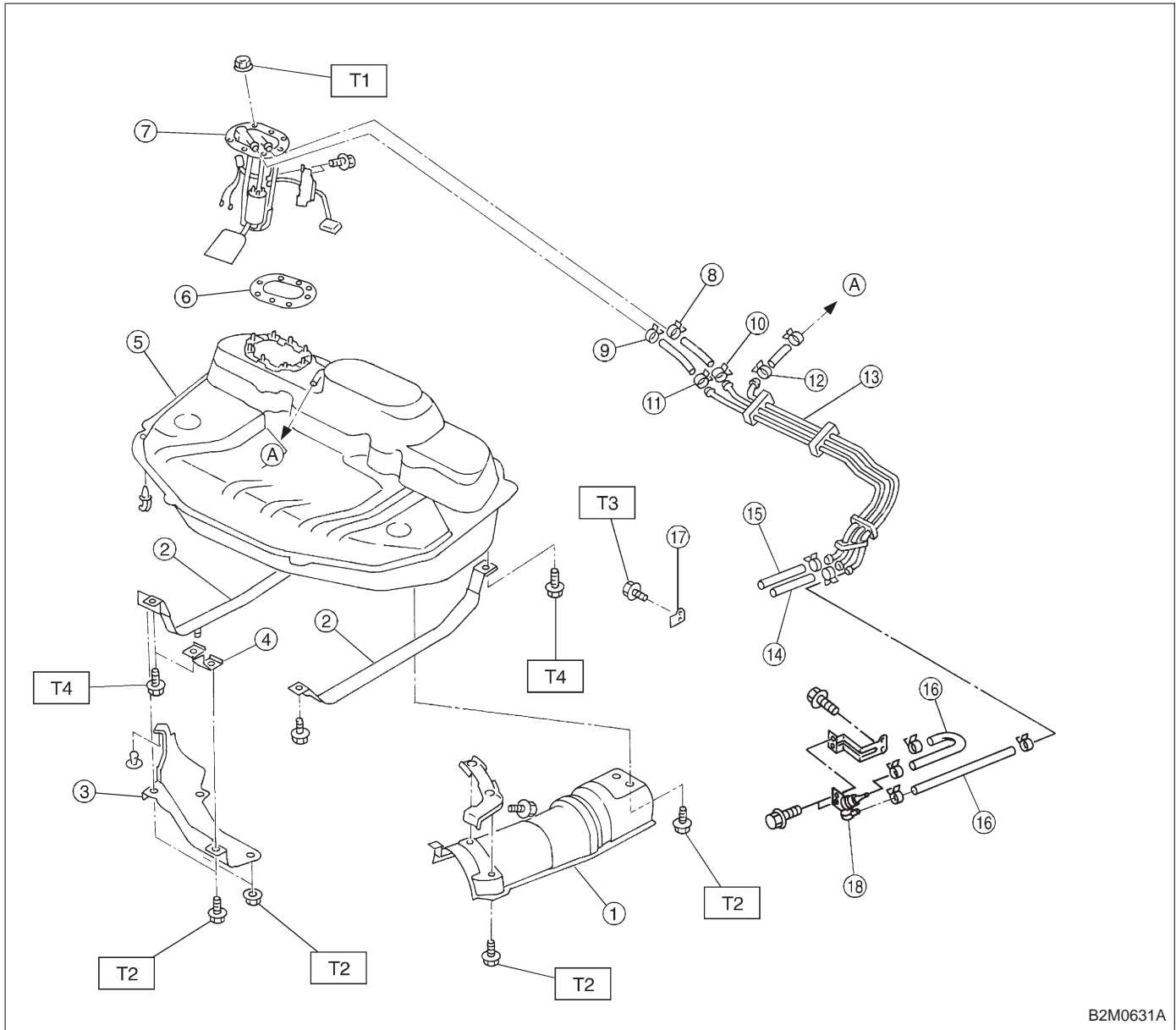
- ① Heat sealed cover
- ② Fuel tank band
- ③ Protector LH
- ④ Protector RH
- ⑤ Fuel tank
- ⑥ Fuel pump gasket
- ⑦ Fuel pump ASSY
- ⑧ Fuel cut valve gasket
- ⑨ Fuel cut valve
- ⑩ Evaporation hose C
- ⑪ Evaporation hose A

- ⑫ Clip
- ⑬ Joint pipe
- ⑭ Evaporation hose B
- ⑮ Evaporation pipe ASSY
- ⑯ Evaporation hose D
- ⑰ Clamp
- ⑱ Jet pump hose A
- ⑲ Fuel delivery hose A
- ⑳ Fuel return hose A
- ㉑ Fuel pipe ASSY
- ㉒ Jet pump hose B

- ㉓ Fuel delivery hose B
- ㉔ Fuel return hose B
- ㉕ Evaporation hose E
- ㉖ Fuel sub meter gasket
- ㉗ Jet pump filter
- ㉘ Fuel sub meter unit
- ㉙ Roll over valve

Tightening torque: N·m (kg-m, ft-lb)
T1: 4.4±1.5 (0.45±0.15, 3.3±1.1)
T2: 7.4±2.0 (0.75±0.2, 5.4±1.4)
T3: 33±10 (3.4±1.0, 25±7)

2. FWD MODEL



B2M0631A

- ① Heat seated cover
- ② Fuel tank band
- ③ Protector
- ④ Protector bracket
- ⑤ Fuel tank
- ⑥ Fuel pump gasket
- ⑦ Fuel pump ASSY
- ⑧ Clamp
- ⑨ Clip
- ⑩ Fuel delivery hose A
- ⑪ Fuel return hose A
- ⑫ Evaporation hose A
- ⑬ Fuel pipe ASSY

- ⑭ Fuel delivery hose B
- ⑮ Fuel return hose B
- ⑯ Evaporation hose B
- ⑰ Plate
- ⑱ Roll over valve

Tightening torque: N·m (kg·m, ft·lb)

T1: 4.4±1.5 (0.45±0.15, 3.3±1.1)

T2: 7.4±0.2 (0.75±0.2, 5.4±1.4)

T3: 18±5 (1.8±0.5, 13.0±3.6)

T4: 33±10 (3.4±1.0, 25±7)

1. Fuel Tank

- | | |
|-------------------------------------------|-------------------------|
| ① Heat sealed cover | ⑳ Evaporation hose D |
| ② Fuel tank band | ㉑ Evaporation hose E |
| ③ Protector LH | ㉒ Clamp |
| ④ Protector RH | ㉓ Jet pump hose A |
| ⑤ Fuel tank | ㉔ Fuel delivery hose A |
| ⑥ Pressure control solenoid valve bracket | ㉕ Fuel return hose A |
| ⑦ Pressure control solenoid valve | ㉖ Fuel pipe ASSY |
| ⑧ Evaporation hose G | ㉗ Jet pump hose B |
| ⑨ Evaporation pipe A | ㉘ Fuel delivery hose B |
| ⑩ Fuel pump gasket | ㉙ Fuel return hose B |
| ⑪ Fuel pump ASSY | ㉚ Evaporation hose F |
| ⑫ Fuel cut valve gasket | ㉛ Fuel sub meter gasket |
| ⑬ Fuel cut valve | ㉜ Jet pump filter |
| ⑭ Evaporation hose C | ㉝ Fuel sub meter unit |
| ⑮ Evaporation hose A | |
| ⑯ Clip | |
| ⑰ Joint pipe | |
| ⑱ Evaporation hose B | |
| ㉞ Evaporation pipe ASSY | |

Tightening torque: N·m (kg-m, ft-lb)**T1: 4.4±1.5 (0.45±0.15, 3.3±1.1)****T2: 7.4±2.0 (0.75±0.2, 5.4±1.4)****T3: 33±10 (3.4±1.0, 25±7)**