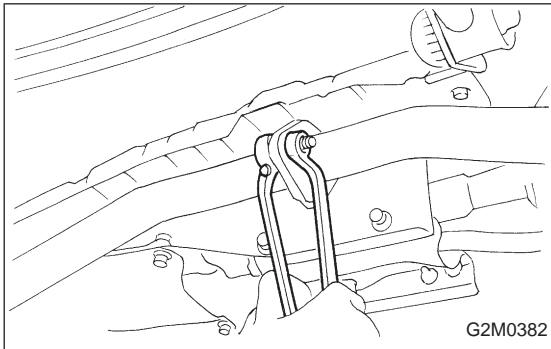


3. Fuel Tank

A: REMOVAL

- 1) Release fuel pressure. <Ref. to 2-8 [W1A0].>
- 2) Drain fuel from fuel tank. <Ref. to 2-8 [W1B0].>

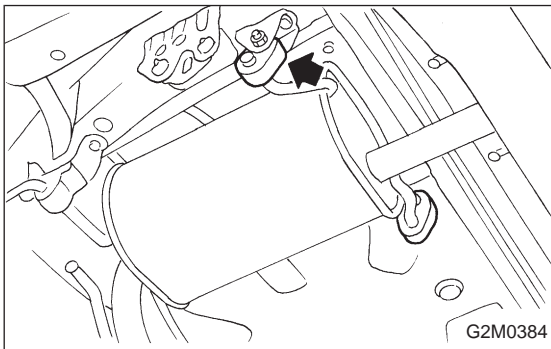


- 3) Remove rear exhaust pipe.
 - (1) Lift-up the vehicle.
 - (2) Separate rear exhaust pipe from center exhaust pipe.
 - (3) Separate rear exhaust pipe from muffler.
 - (4) Remove bracket from rubber cushion, and remove exhaust pipe.

NOTE:

To facilitate the removal of parts, apply a coat of SUBARU CRC5-56 (Part No. 004301003)

<Ref. to 2-9 [W2A0].>

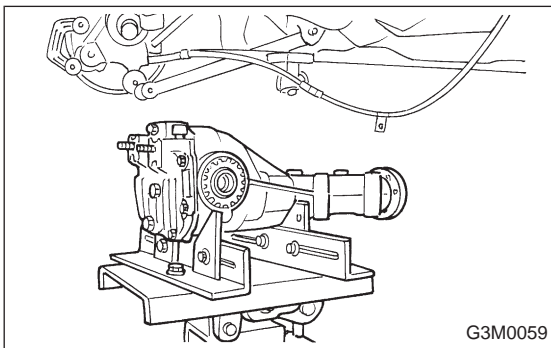


- 4) Remove muffler assembly.

NOTE:

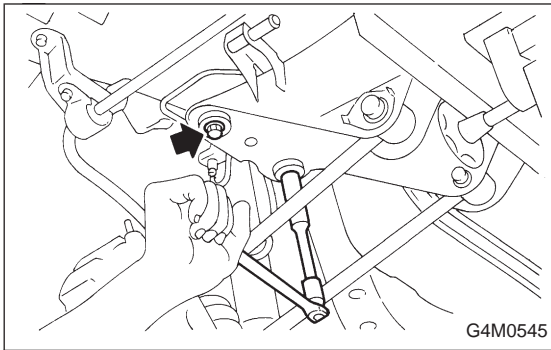
To facilitate the removal of parts, apply a coat of SUBARU CRC5-56 (Part No. 004301003)

<Ref. to 2-9 [W3A0].>

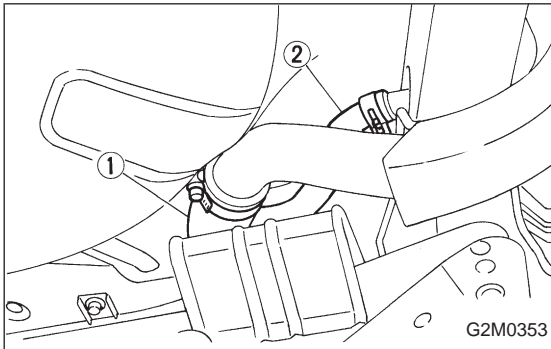


- 5) Remove rear differential assembly. (AWD model)
 - (1) Remove rear axle shafts from rear differential assembly.
 - (2) Remove rear differential front cover.
 - (3) Remove propeller shaft.
 - (4) Remove lower differential bracket.
 - (5) Set transmission jack under rear differential.
 - (6) Remove bolts which install rear differential onto rear crossmember.

<Ref. to 3-4 [W2B0].>

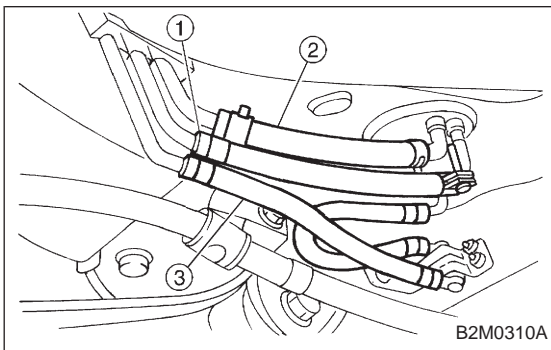


- 6) Remove rear crossmember. (AWD model)
<Ref. to 4-1 [W11A0].>

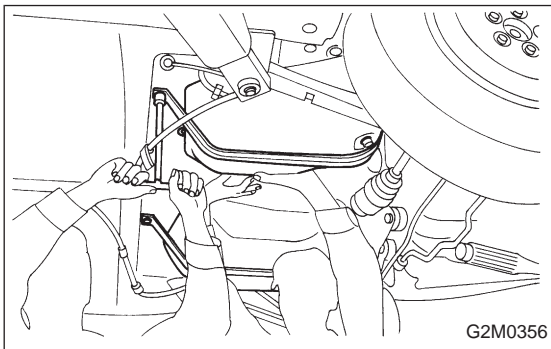


- 7) Loosen clamp, and disconnect fuel filler hose from pipe.
8) Loosen clamp, and disconnect air vent hose from air vent pipe.

- ① Fuel filler hose
② Air vent hose



- 9) Loosen clip and clamps, and disconnect fuel delivery hose ①, return hose ② and evaporation hose ③.



- 10) While holding fuel tank, remove bolts from bands and dismount fuel tank.

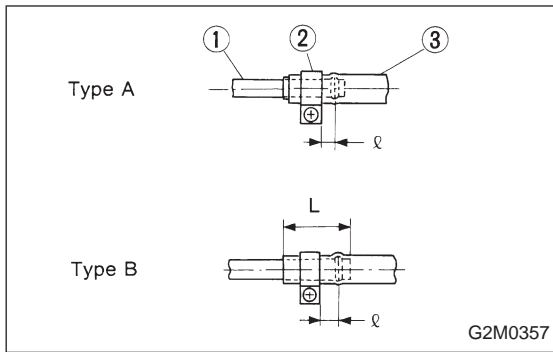
WARNING:

A helper is required to perform step 10).

B: INSTALLATION

Installation is in the reverse order of removal. Do the following:

- 1) When installing fuel tank, have a helper hold fuel tank while installing bands.
- 2) Before tightening band mounting bolts, connect fuel system hoses.



3) Install hose and hold down clips at positions indicated in Figure.

Tightening torque:

$1.0^{+0.5}_{-0} \text{ N}\cdot\text{m} (0.1^{+0.05}_{-0} \text{ kg}\cdot\text{m}, 0.7^{+0.4}_{-0} \text{ ft}\cdot\text{lb})$

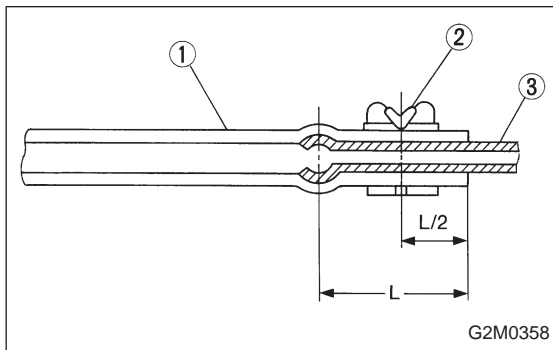
Type A: When fitting length is specified.

Type B: When fitting length is not specified.

- ① Fitting
- ② Clamp
- ③ Hose

$l : 1.0 - 4.0 \text{ mm} (0.039 - 0.157 \text{ in})$

$L : 20 - 25 \text{ mm} (0.79 - 0.98 \text{ in})$



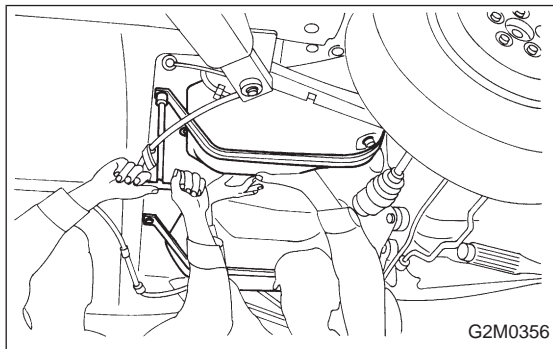
- ① Hose
- ② Clip
- ③ Pipe

Fuel return hose:

$L = 20 - 25 \text{ mm} (0.79 - 0.98 \text{ in})$

Evaporation hose:

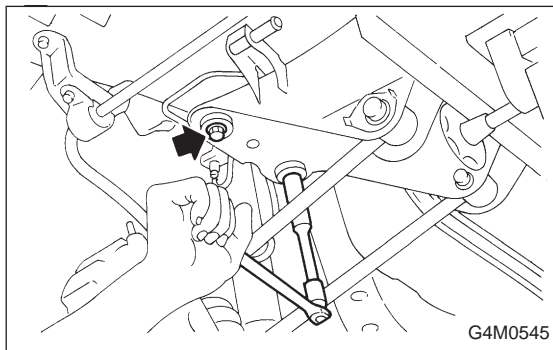
$L = 15 - 20 \text{ mm} (0.59 - 0.79 \text{ in})$



4) Tighten band mounting bolts.

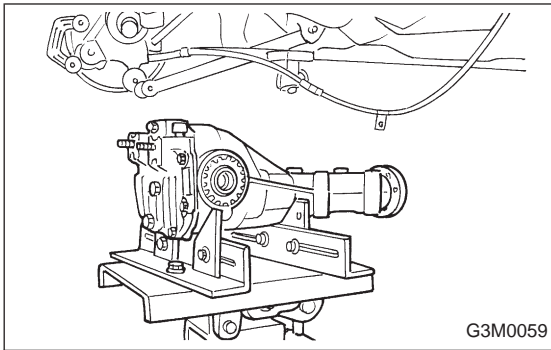
Tightening torque:

$33 \pm 10 \text{ N}\cdot\text{m} (3.4 \pm 1.0 \text{ kg}\cdot\text{m}, 25 \pm 7 \text{ ft}\cdot\text{lb})$

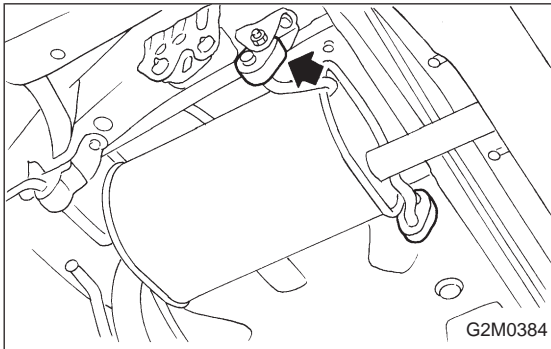


5) Install rear crossmember. <Ref. to 4-1 [W11C0].>

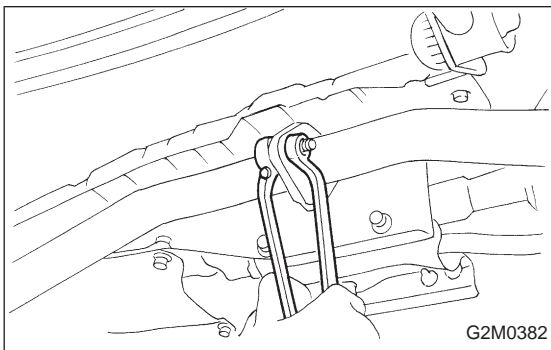
3. Fuel Tank - 4. Fuel Filler Pipe



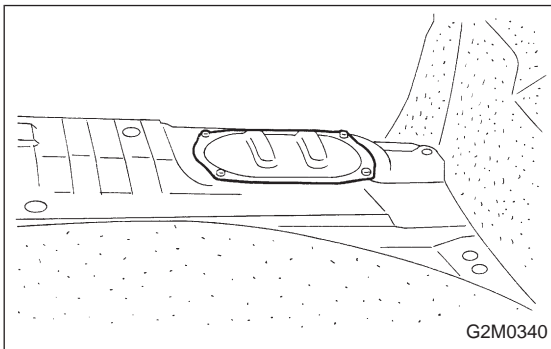
6) Install rear differential assembly. <Ref. to 3-4 [W2F0].>



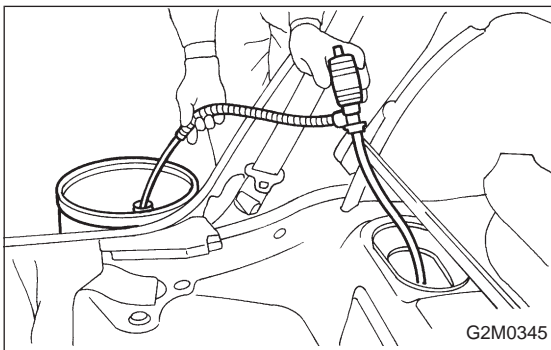
7) Install muffler assembly.



8) Install heat sealed cover.
9) Install rear exhaust pipe.



10) Lower the vehicle, and connect connector to fuel pump.
11) Install access hole lid.



4. Fuel Filler Pipe

A: REMOVAL

- 1) Release fuel pressure. <Ref. to 2-8 [W1A0].>
- 2) Drain fuel from fuel tank. <Ref. to 2-8 [W1B0].>