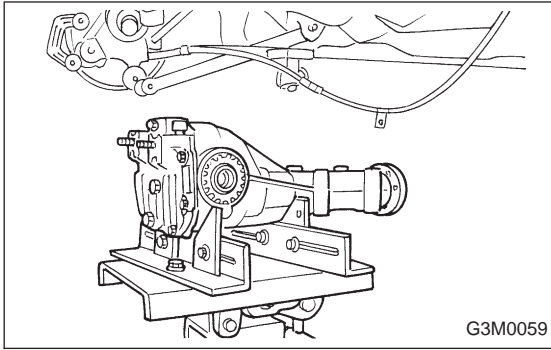
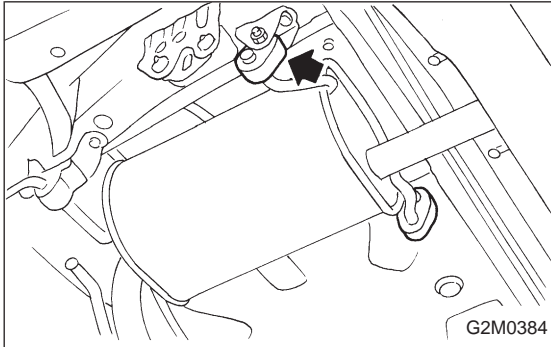


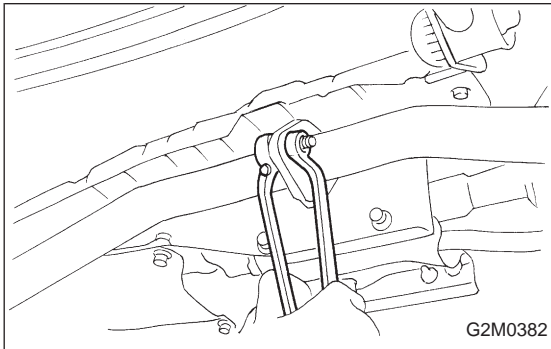
3. Fuel Tank - 4. Fuel Filler Pipe



6) Install rear differential assembly. <Ref. to 3-4 [W2F0].>

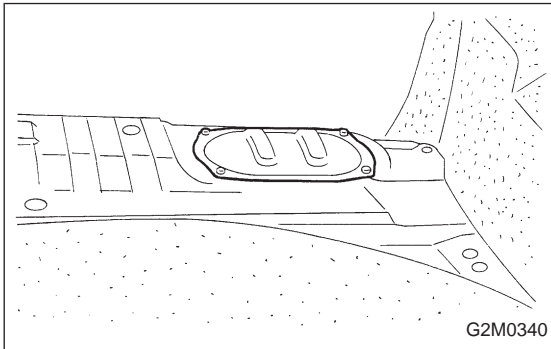


7) Install muffler assembly.



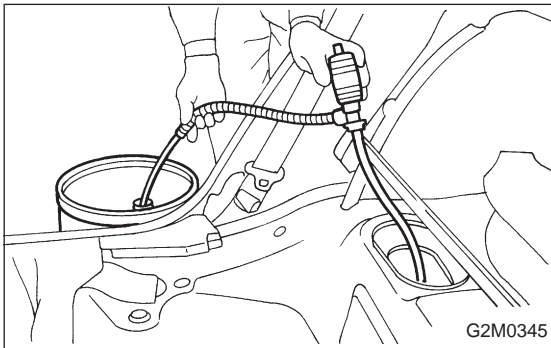
8) Install heat sealed cover.

9) Install rear exhaust pipe.



10) Lower the vehicle, and connect connector to fuel pump.

11) Install access hole lid.

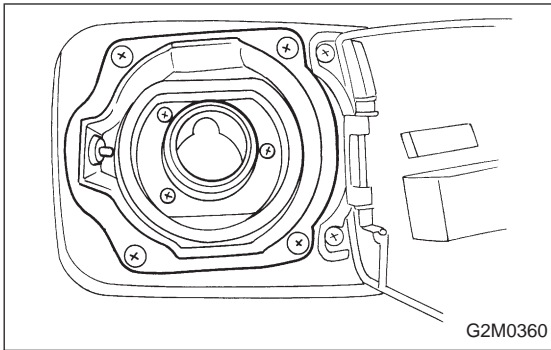


4. Fuel Filler Pipe

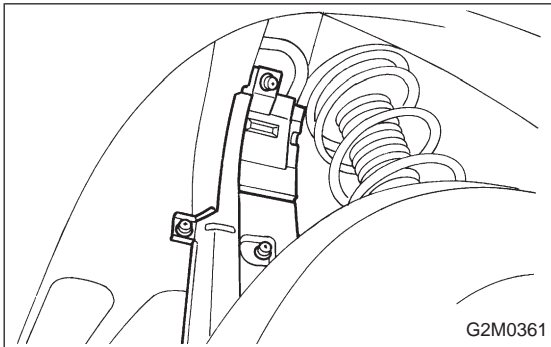
A: REMOVAL

1) Release fuel pressure. <Ref. to 2-8 [W1A0].>

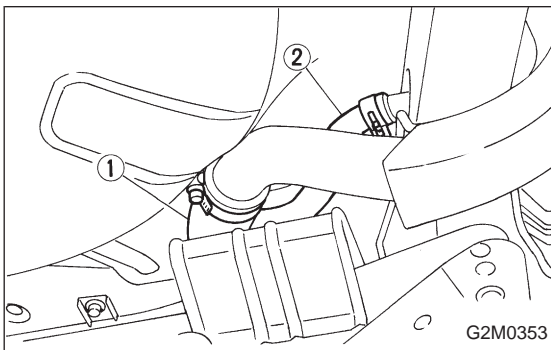
2) Drain fuel from fuel tank. <Ref. to 2-8 [W1B0].>



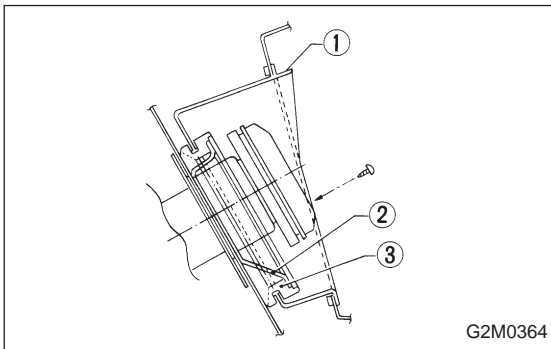
- 3) Remove right rear wheel.
- 4) Open fuel filler flap and remove filler cap.
- 5) Remove screws holding packing in place.



- 6) Lift-up the vehicle.
- 7) Remove fuel filler pipe protector.



- 8) Remove clip, and separate air vent hose from pipe.
 - 9) Loosen clamp, and separate fuel filler hose from pipe.
- ① Fuel filler hose
 - ② Air vent hose
- 10) Remove fuel filler pipe to under side of the vehicle.

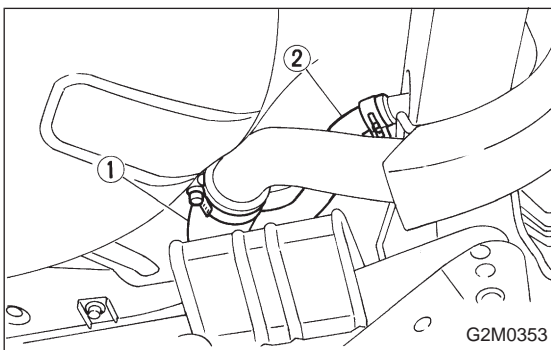


B: INSTALLATION

- 1) Hold fuel filler flap open.
- 2) Set fuel saucer ① with rubber packing ③, and insert fuel filler pipe into hole from the inner side of apron.
- 3) Align holes in fuel filler pipe neck and set cup ②, and tighten screws.

NOTE:

If edges of rubber packing are folded toward the inside, straighten it with a screwdriver.

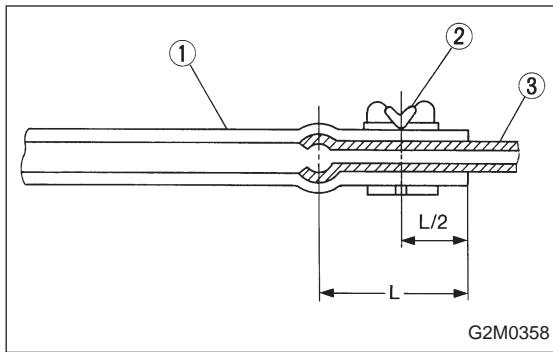


- 4) Insert fuel filler hose approximately 25 to 30 mm (0.98 to 1.18 in) over the lower end of fuel filler pipe and tighten clamp.

- ① Fuel filler hose
- ② Air vent hose

CAUTION:

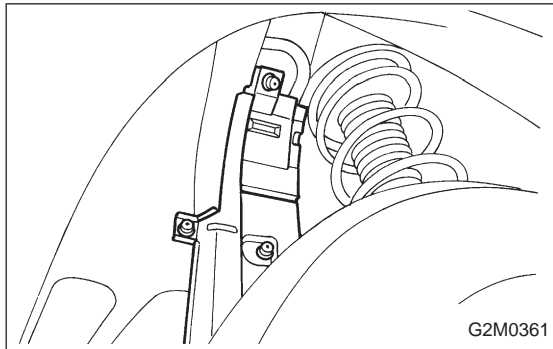
Do not allow clips to touch air vent hose and rear suspension crossmember.



5) Insert air vent hose approximately 25 to 30 mm (0.98 to 1.18 in) into the lower end of air vent pipe and hold clip.

- ① Hose
- ② Clip
- ③ Pipe

$L = 25 - 30 \text{ mm (0.98 - 1.18 in)}$

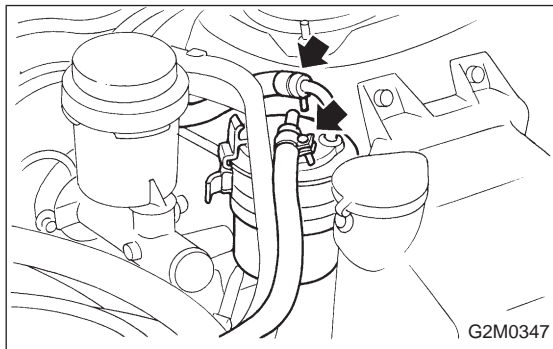


- 6) Install fuel filler pipe protector.
- 7) Install right rear wheel.

5. Fuel Filter

A: REMOVAL

1) Release fuel pressure. <Ref. to 2-8 [W1A0].>



- 2) Disconnect fuel delivery hoses from fuel filter.
- 3) Remove filter from holder.

B: INSPECTION

- 1) Check the inside of fuel filter for dirt and water sediment.
- 2) If it is clogged, or if replacement interval has been reached, replace it.
- 3) If water is found in it, shake and expel the water from inlet port.