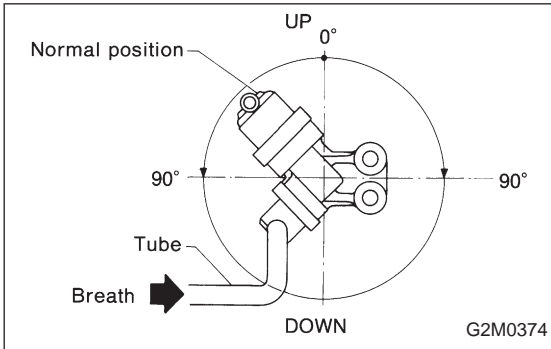


**9. Roll Over Valve**

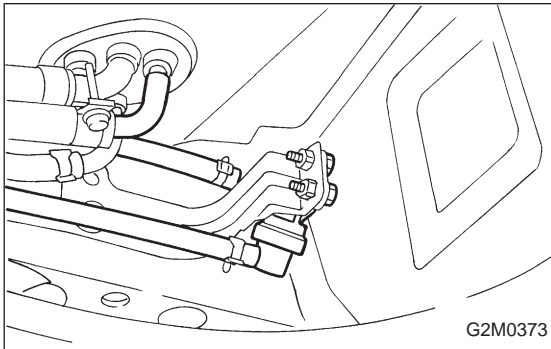
**A: REMOVAL**

- 1) Lift up the vehicle.
- 2) Remove roll over valve with bracket.
- 3) Disconnect hoses from roll over valve, and remove it from bracket.



**B: INSPECTION**

- 1) Connect hoses to roll over valve as shown in Figure.
- 2) While blowing through open end of hose, tilt valve at least 90° left and right from normal position.
- 3) Ensure that there is no air flow when hose is tilted greater than 90°.

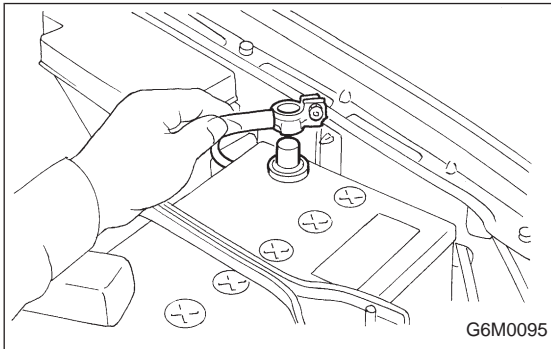


**C: INSTALLATION**

Installation is in the reverse order of removal.

**CAUTION:**

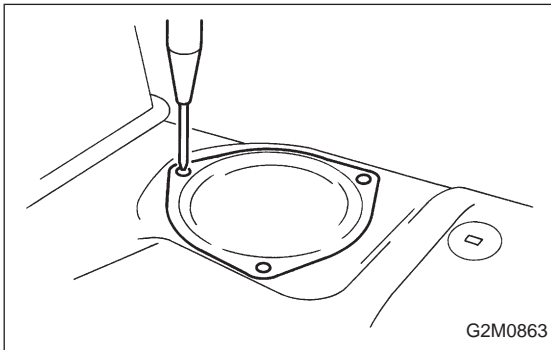
- Do not install top side of valve down.
- Before installing bracket on body, securely fit concave part of bracket to hole in body.



**10. Fuel Sub Meter Unit (AWD model only)**

**A: REMOVAL AND INSTALLATION**

- 1) Disconnect battery ground cable.



- 2) Remove rear seat.
- 3) Remove service hole cover.