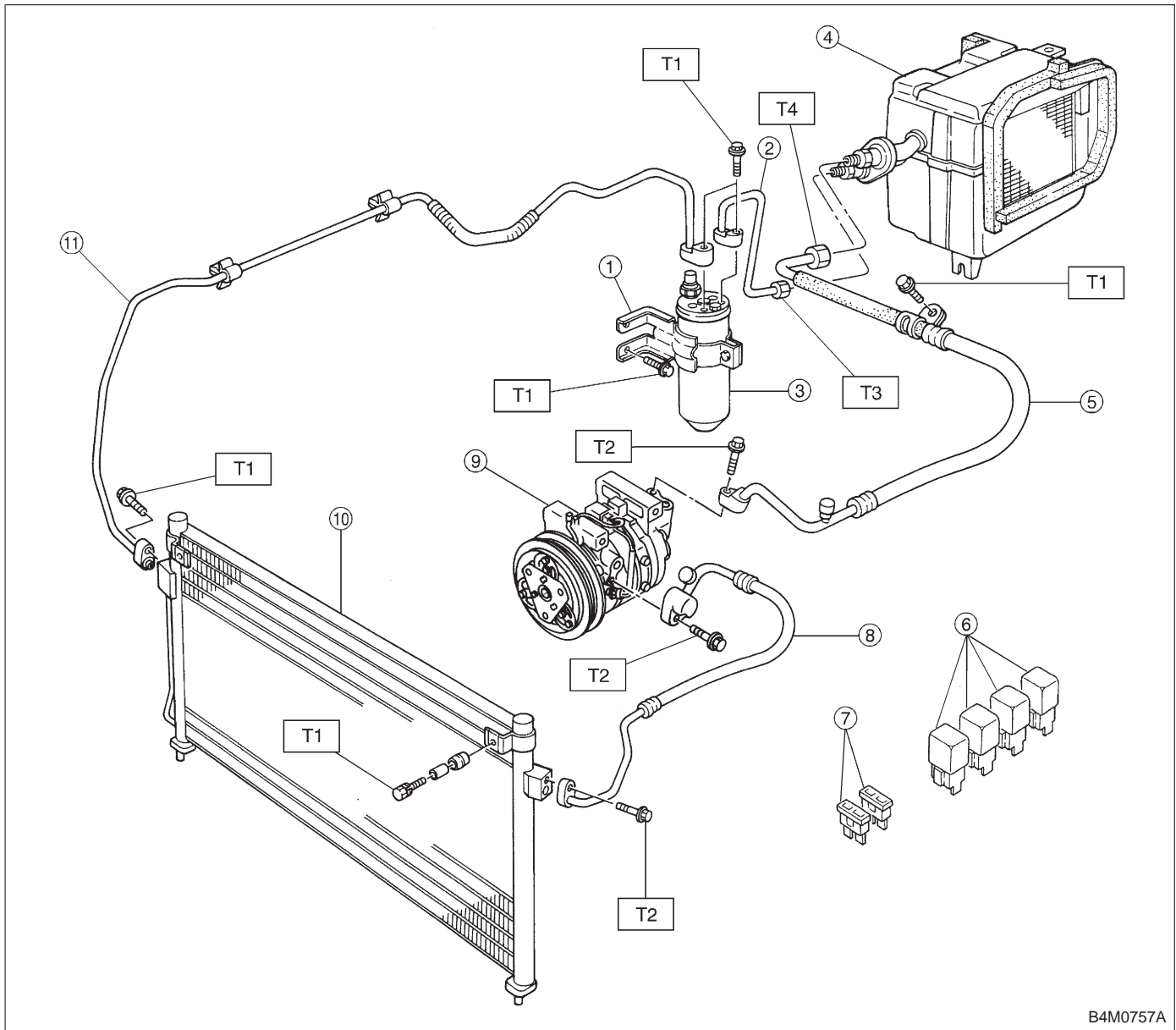


1. Air Conditioning System

1. LHD MODEL



- ① Receiver drier bracket
- ② Pipe (Receiver drier — Evaporator module)
- ③ Receiver drier
- ④ Evaporator unit
- ⑤ Hose (Low-pressure)
- ⑥ A/C relay
- ⑦ Fuse
- ⑧ Hose (High-pressure)
- ⑨ Compressor
- ⑩ Condenser
- ⑪ Pipe (Condenser — Receiver drier)

Tightening torque: N·m (kg·m, ft·lb)

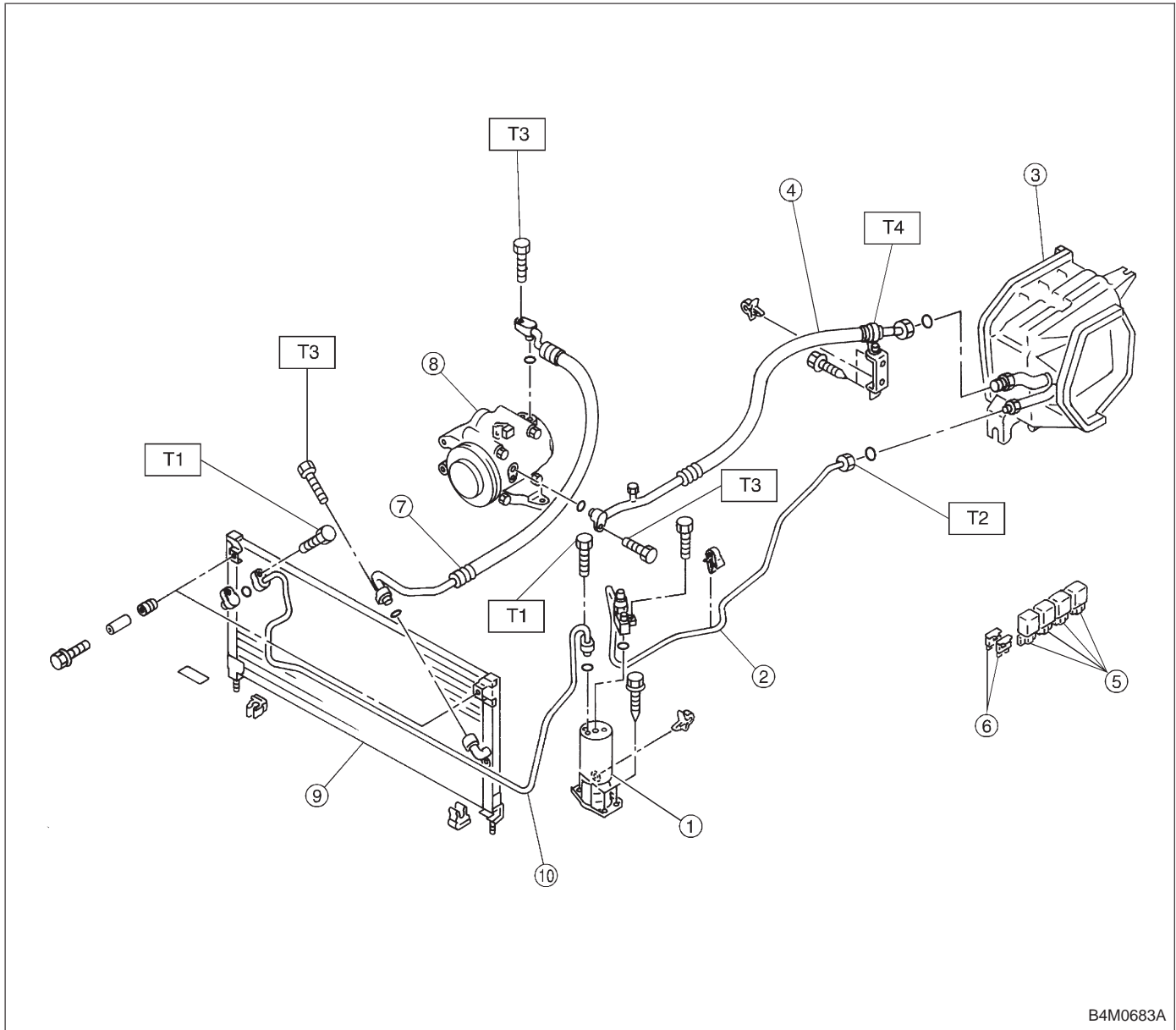
T1: 7.4±2.0 (0.75±0.2, 5.4±1.4)

T3: 15±5 (1.5±0.5, 10.8±3.6)

T3: 15±3 (1.5±0.3, 10.8±2.2)

T4: 25±5 (2.5±0.5, 18.1±3.6)

2. RHD MODEL



B4M0683A

- ① Receiver drier
- ② Pipe (Receiver drier — Evaporator module)
- ③ Evaporator unit
- ④ Hose (Low-pressure)
- ⑤ A/C relay
- ⑥ Fuse
- ⑦ Hose (High-pressure)
- ⑧ Compressor
- ⑨ Condenser
- ⑩ Pipe (Condenser — Receiver drier)

Tightening torque: N·m (kg·m, ft·lb)

T1: 7.4±2.0 (0.75±0.2, 5.4±1.4)

T2: 15±3 (1.5±0.3, 10.8±2.2)

T3: 15±5 (1.5±0.5, 10.8±3.6)

T4: 25±5 (2.5±0.5, 18.1±3.6)