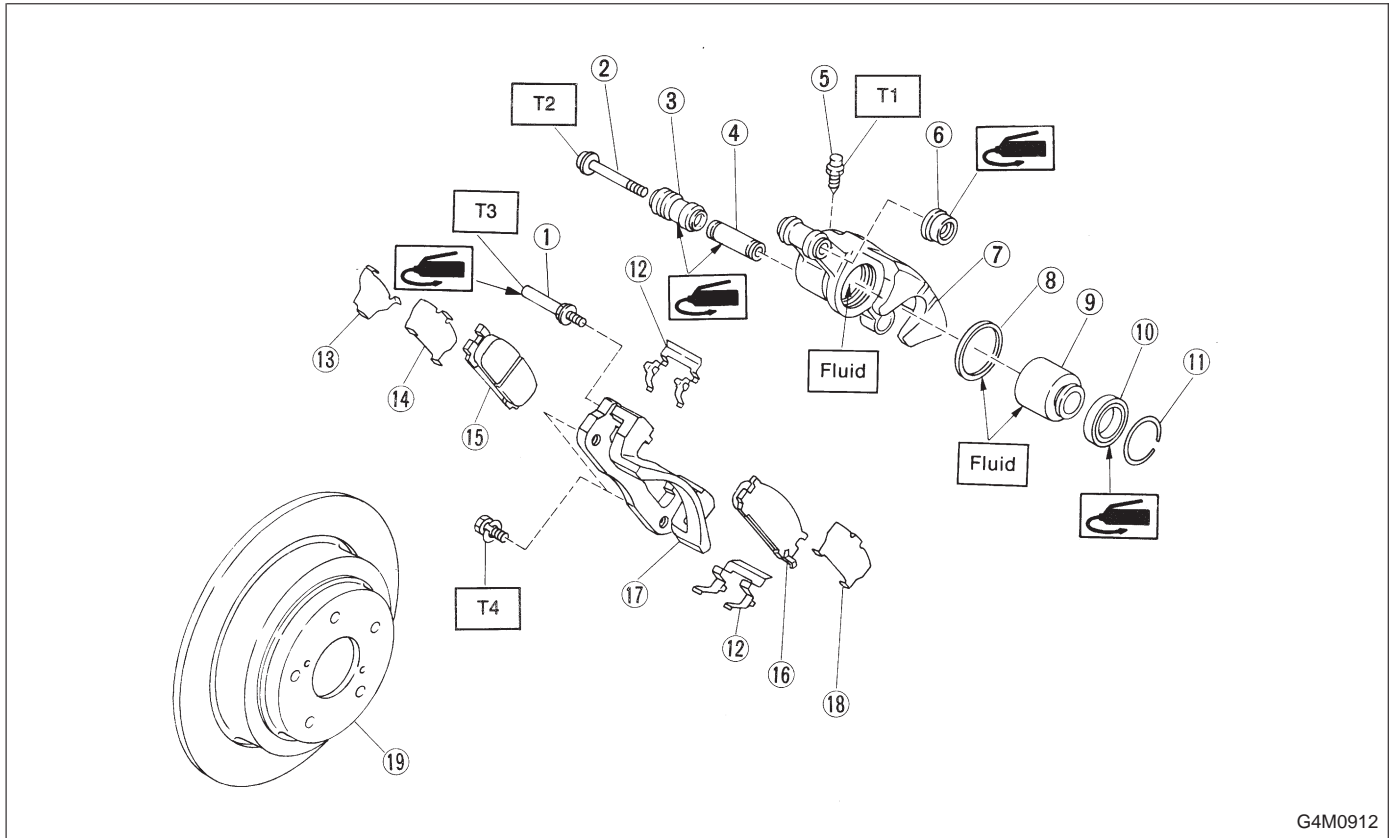


2. Rear Disc Brake



G4M0912

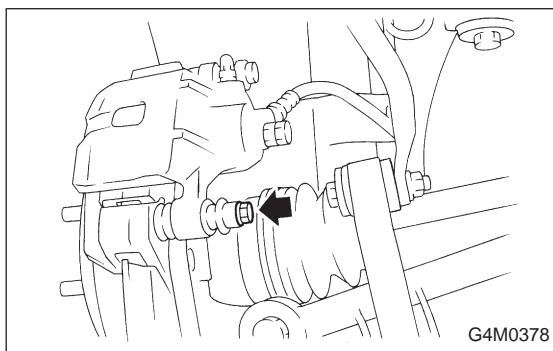
- ① Guide pin
- ② Lock pin
- ③ Lock pin boot
- ④ Lock pin sleeve
- ⑤ Air bleeder screw
- ⑥ Guide pin boot
- ⑦ Caliper body
- ⑧ Piston seal
- ⑨ Piston

- ⑩ Piston boot
- ⑪ Boot ring
- ⑫ Pad clip
- ⑬ Shim
- ⑭ Inner shim
- ⑮ Inner pad
- ⑯ Outer pad
- ⑰ Support
- ⑱ Outer shim

- ⑲ Disc rotor

Tightening torque: N·m (kg·m, ft·lb)

- T1: 8 ± 1 (0.8±0.1, 5.8±0.7)
- T2: 20 ± 4 (2.0±0.4, 14.5±2.9)
- T3: 26 ± 5 (2.7±0.5, 19.5±3.6)
- T4: 52 ± 6 (5.3±0.6, 38.3±4.3)



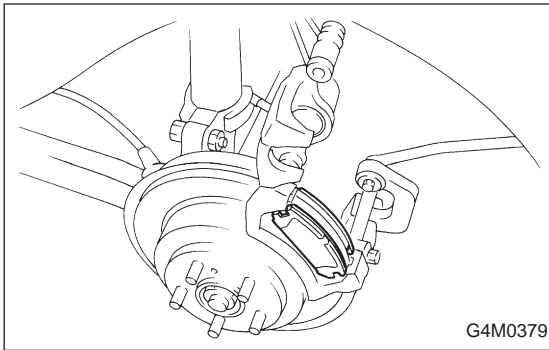
G4M0378

A: ON-CAR SERVICE

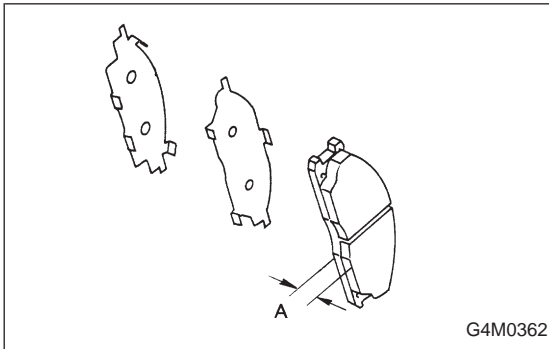
1. PAD

- 1) Remove lock pin.

2. Rear Disc Brake



- 2) Raise caliper body.
- 3) Remove pad from support.



- 4) Check pad thickness (including back metal).

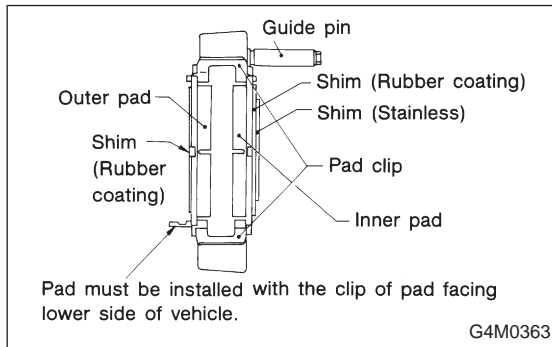
Pad thickness: A

Standard value 15.0 mm (0.591 in)

Wear limit 6.5 mm (0.256 in)

CAUTION:

- Always replace the pads for both the left and right wheels at the same time. Also replace pad clips if they are twisted or worn.
- A wear indicator is provided on the inner disc brake pad. If the pad wears down to such an extent that the end of the wear indicator contacts the disc rotor, a squeaking sound is produced as the wheel rotates. If this sound is heard, replace the pad.
- Replace pad if there is oil or grease on it.



- 5) Apply thin coat of PBC GREASE (Part No. 03607000) to the frictional portion between pad and pad clip.
- 6) Install pad on support.

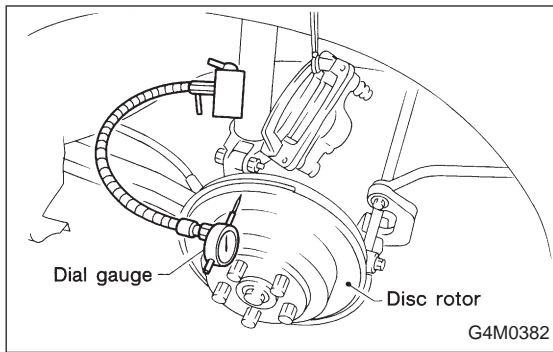
- 7) Install caliper body on support.

Tightening torque:

20 ± 4 N·m (2.0 ± 0.4 kg·m, 14.5 ± 2.9 ft·lb)

NOTE:

If it is difficult to push piston during pad replacement, loosen air bleeder to facilitate work.



2. DISC ROTOR

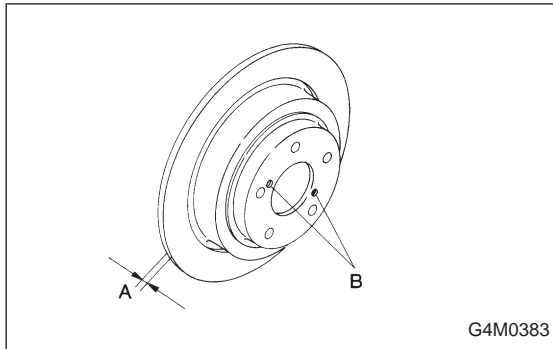
- 1) Install disc rotor by tightening the five wheel nuts.
- 2) Set a dial gauge on the disc rotor. Turn disc rotor to check runout.

NOTE:

Make sure that dial gauge is set 5 mm (0.20 in) inward of rotor outer perimeter.

Disc rotor runout limit:

0.1 mm (0.004 in)



- 3) Measure disc rotor thickness.

NOTE:

Make sure that micrometer is set 5 mm (0.20 in) inward of rotor outer perimeter.

Disc rotor thickness: A

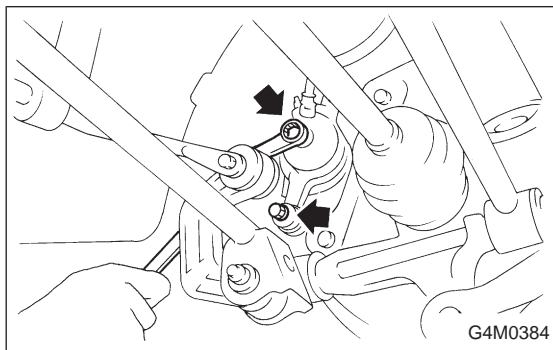
Standard value 10 mm (0.39 in)

Service limit 8.5 mm (0.335 in)

NOTE:

When removing disc rotor, refer to instructions under Parking Brake 4-4 [W4A0].

B: REMOVAL



- 1) Lift-up vehicle and remove wheels.
- 2) Disconnect brake hose from caliper body assembly.

CAUTION:

Do not allow brake fluid to come in contact with vehicle body; wipe off completely if spilled.

- 3) Remove lock pin.
- 4) Raise caliper body and move it toward vehicle center to separate it from support.
- 5) Remove support from back plate.

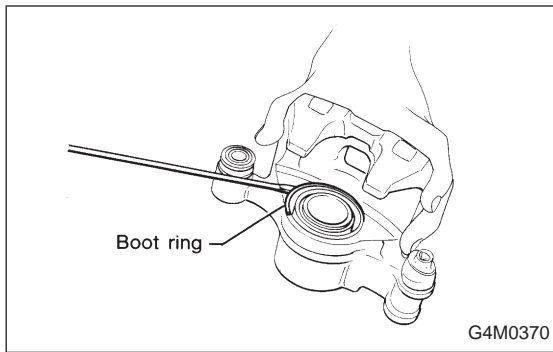
NOTE:

Remove support only when replacing it or the rotor. It need not be removed when servicing caliper body assembly.

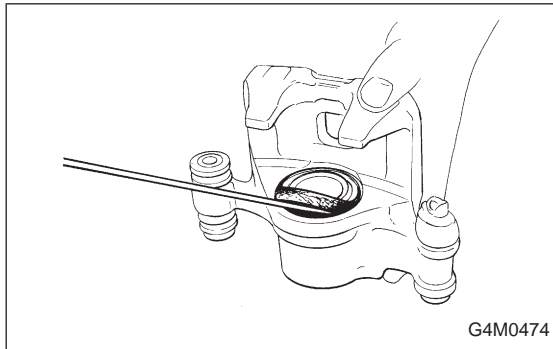
- 6) Clean mud and foreign particles from caliper body assembly and support.

CAUTION:

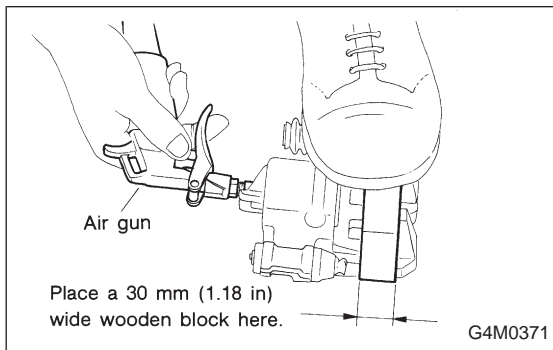
Be careful not to allow foreign particles to enter inlet (at brake hose connector).

**C: DISASSEMBLY**

1) Remove the boot ring.



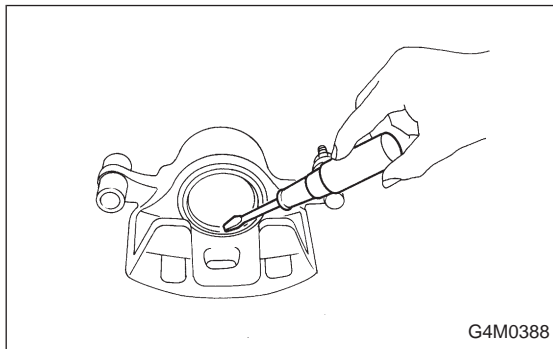
2) Remove the piston boot.



3) Gradually supply compressed air via inlet of caliper body to force piston out.

CAUTION:

- Place a wooden block as shown in Figure to prevent damage to piston.
- Do not apply excessively high-pressure.



4) Remove piston seal from caliper body cylinder.

5) Remove lock pin sleeve and boot from caliper body.

6) Remove guide pin boot.

D: INSPECTION

1) Repair or replace faulty parts.

2) Check caliper body and piston for uneven wear, damage or rust.

3) Check rubber parts for damage or deterioration.

E: ASSEMBLY

- 1) Clean caliper body interior using brake fluid.
- 2) Apply a coat of brake fluid to piston seal and fit piston seal in groove on caliper body.
- 3) Apply a coat of brake fluid to the entire inner surface of cylinder and outer surface of piston.
- 4) Insert piston into cylinder.

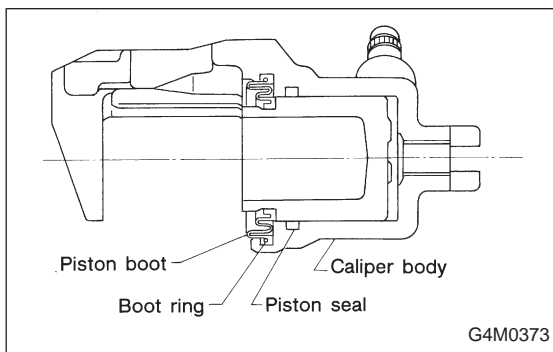
CAUTION:

Do not force piston into cylinder.

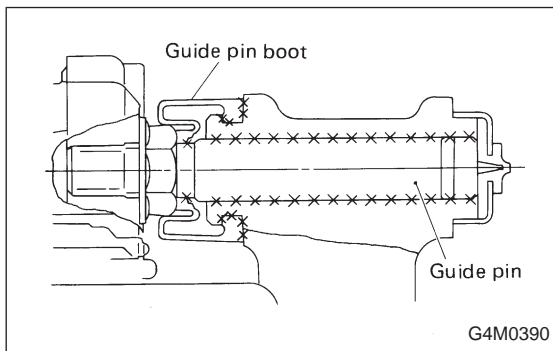
- 5) Apply a coat of specified grease to boot and fit in groove on ends of cylinder and piston.

Grease:

NIGLUBE RX-2 (Part No. 003606000)



- 6) Install the piston boot to the caliper body, and attach boot ring.

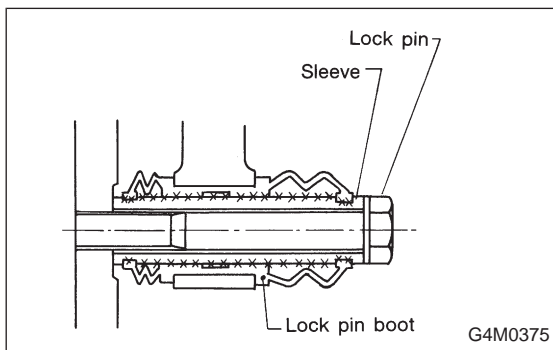


- 7) Apply a coat of specified grease to guide pin, outer surface, sleeve outer surface, cylinder inner surface, and boot grooves.

Grease:

NIGLUBE RX-2 (Part No. 003606000)

- 8) Install guide pin boot on caliper body.
- 9) Install lock pin boot on caliper body and insert lock pin sleeve into place.



F: INSTALLATION

- 1) Install disc rotor on hub.
- 2) Install support on back plate.

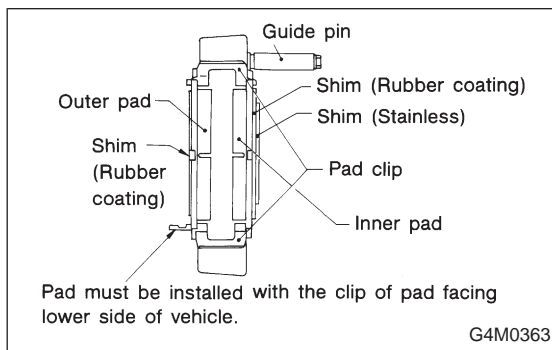
Tightening torque:

$52 \pm 6 \text{ N}\cdot\text{m}$ ($5.3 \pm 0.6 \text{ kg}\cdot\text{m}$, $38.3 \pm 4.3 \text{ ft}\cdot\text{lb}$)

CAUTION:

- Always replace the pads for both the left and right wheels at the same time. Also replace pad clips if they are twisted or worn.
- A wear indicator is provided on the inner disc brake pad. If the pad wears down to such an extent that the end of the wear indicator contacts the disc rotor, a squeaking sound is produced as the wheel rotates. If this sound is heard, replace the pad.
- Replace pads if there is oil or grease on them.

- 3) Apply thin coat of PBC GREASE (Part No. 003607000) to the frictional portion between pad and pad clip.



- 4) Install pads on support.

- 5) Install caliper body on support.

Tightening torque:

$20 \pm 4 \text{ N}\cdot\text{m}$ ($2.0 \pm 0.4 \text{ kg}\cdot\text{m}$, $14.5 \pm 2.9 \text{ ft}\cdot\text{lb}$)

- 6) Connect brake hose.

Tightening torque:

$18 \pm 3 \text{ N}\cdot\text{m}$ ($1.8 \pm 0.3 \text{ kg}\cdot\text{m}$, $13.0 \pm 2.2 \text{ ft}\cdot\text{lb}$)

CAUTION:

- The brake hose must be connected without any twist.
 - Replace brake hose gaskets with new ones.
- 7) Bleed air from brake system.