

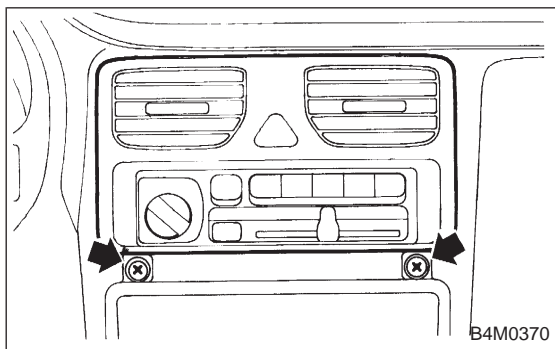
4. Control Unit

A: REMOVAL

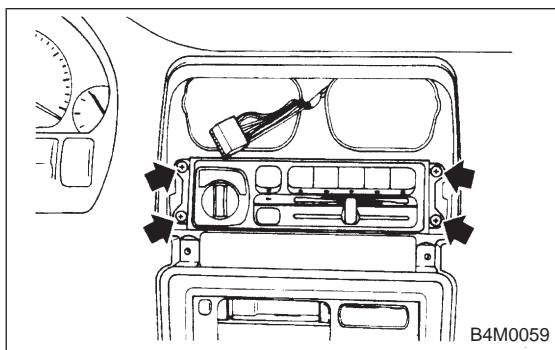
- 1) Disconnect GND cable from battery.
- 2) Set temperature control lever to "FULL COLD" position.
- 3) Remove temperature control cable from heater unit.

NOTE:

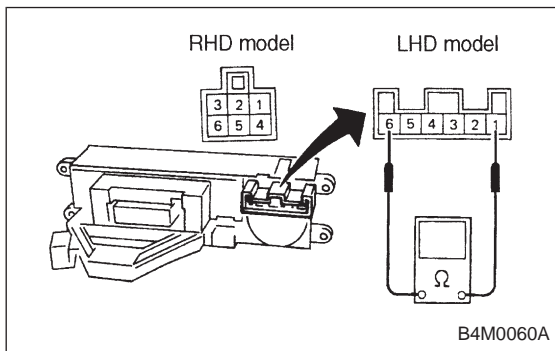
Do not attempt to move link of heater unit during installation.



- 4) Remove cup holder.
- 5) Remove center panel and then disconnect connector.



- 6) Remove control unit assembly and disconnect connector.

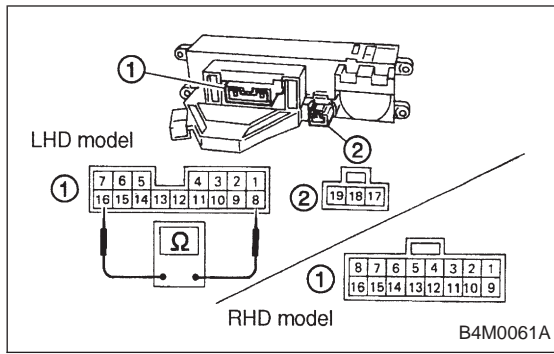


B: INSPECTION

1. FAN SWITCH

Check continuity between terminals at each switch position.

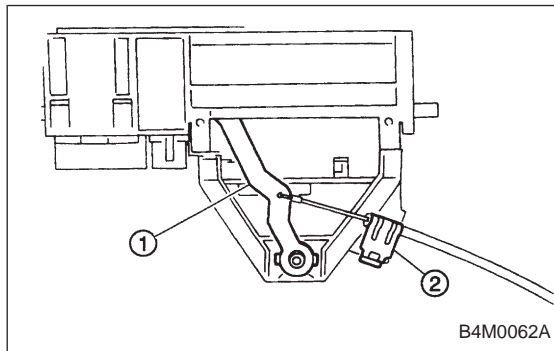
Switch position	Terminals					
	1	2	3	4	5	6
1	○	○				○
2	○		○			○
3	○			○		○
4	○				○	○
	GND					IGN



2. CONTROL UNIT

Check circuit continuity between each terminal, when push control switch is turned ON.

Terminal No.	Mode selector switch					RECIRC switch		A/C switch	Illumi.
	VENT	BI-LEV	HEAT	DEF/HEAT	DEF	RECIRC	FRESH		
1									
2									
3									○
4									
5					○				
6			○	○					
7	○	○							
8	○	○	○	○	○	○	○		
9							○		
10						○			
11									○
12	○	○	○	○	○				
13									
14				○	○				
15		○	○						
16	○								
17								○	
18								○	
19								○	



C: ADJUSTMENT

- 1) Operate temperature control lever to "FULL COLD" position.
- 2) Install control cable to lever ①. While pushing outer cable, secure control cable with clip ②.

D: INSTALLATION

Installation is in the reverse order of removal.

NOTE:

Before control unit installation, set temperature control lever to "FULL COLD" position.