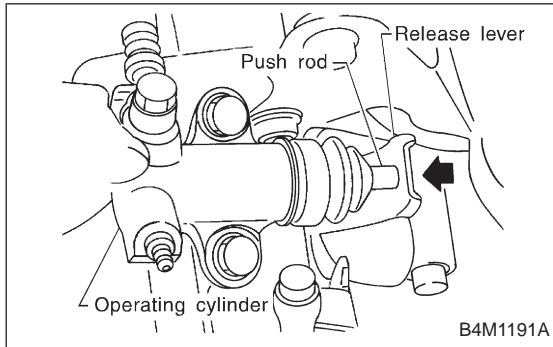


5) Move clevis pin to the left and then to the right. It should move without resistance while it is rattling. If resistance is felt, repeat adjustment procedures again from the beginning.

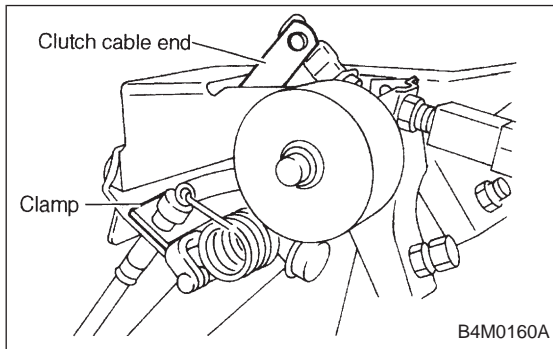


6) Push release lever until operating cylinder push rod retracts. Ensure that clutch fluid level in reservoir tank increases. If clutch fluid level increases, hydraulic clutch is properly adjusted; if fluid level does not increase or push rod does not retract, replace master cylinder with new one. <Ref. to 2-10 [W600].>

2. Clutch Cable

A: REMOVAL

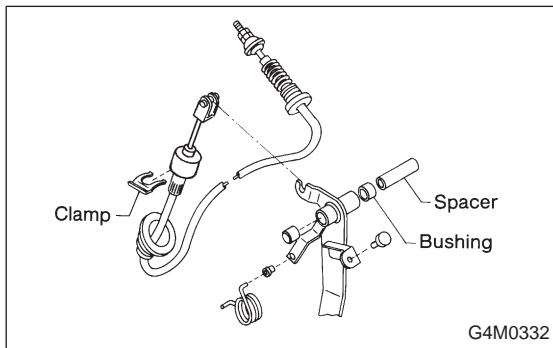
1) Disconnect clutch cable from release lever.



- 2) Depress clutch pedal to the floor.
- 3) Remove clutch cable clamp from pedal bracket.
- 4) Disconnect clutch cable from pedal bracket and pedal end.
- 5) Remove clutch cable from body.

CAUTION:

Before removing clutch cable from toe board, remove grommet. Slowly remove clutch cable, being careful not to scratch it.



B: INSTALLATION

- 1) Clean clutch pedal fitting hole, and apply grease. Connect clutch cable to clutch pedal.
 - 2) Fit clutch pedal to pedal bolt, and connect clutch cable to bracket with clamp.
 - 3) Connect clutch cable end to pedal end.
 - 4) Connect clutch cable from release lever.
 - 5) Install grommet to toe board.
 - 6) Adjustment after cable installation.
- <Ref. to 4-5 [W1A2].>