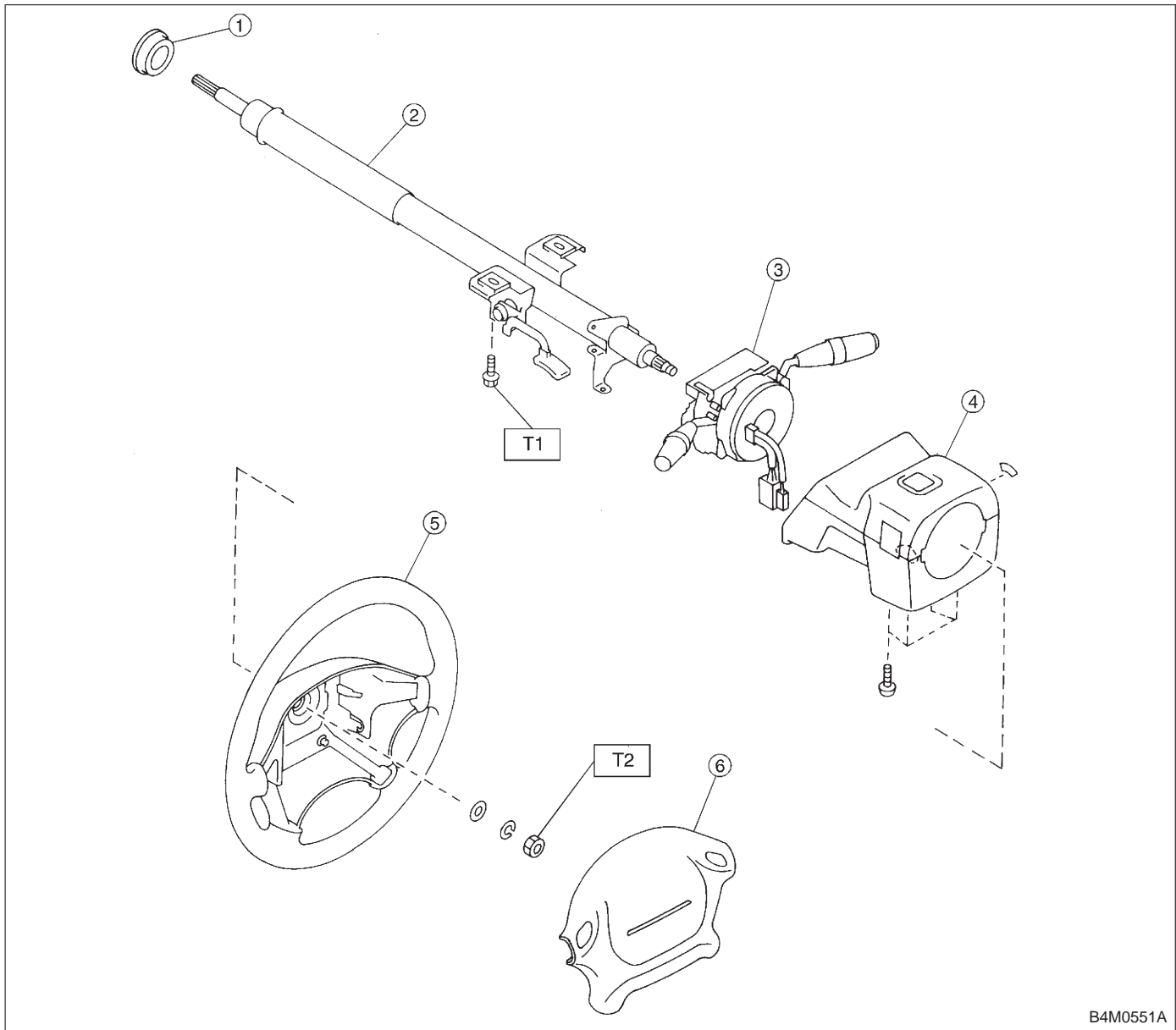


1. Steering Wheel and Column (Tilt)

1. WITH AIRBAG MODEL



B4M0551A

- ① Bushing
- ② Column shaft
- ③ Steering roll connector
- ④ Column cover
- ⑤ Steering wheel
- ⑥ Airbag module

Tightening torque: N·m (kg·m, ft·lb)

T1: 25±5 (2.5±0.5, 18.1±3.6)

T2: 34±5 (3.5±0.5, 25.3±3.6)