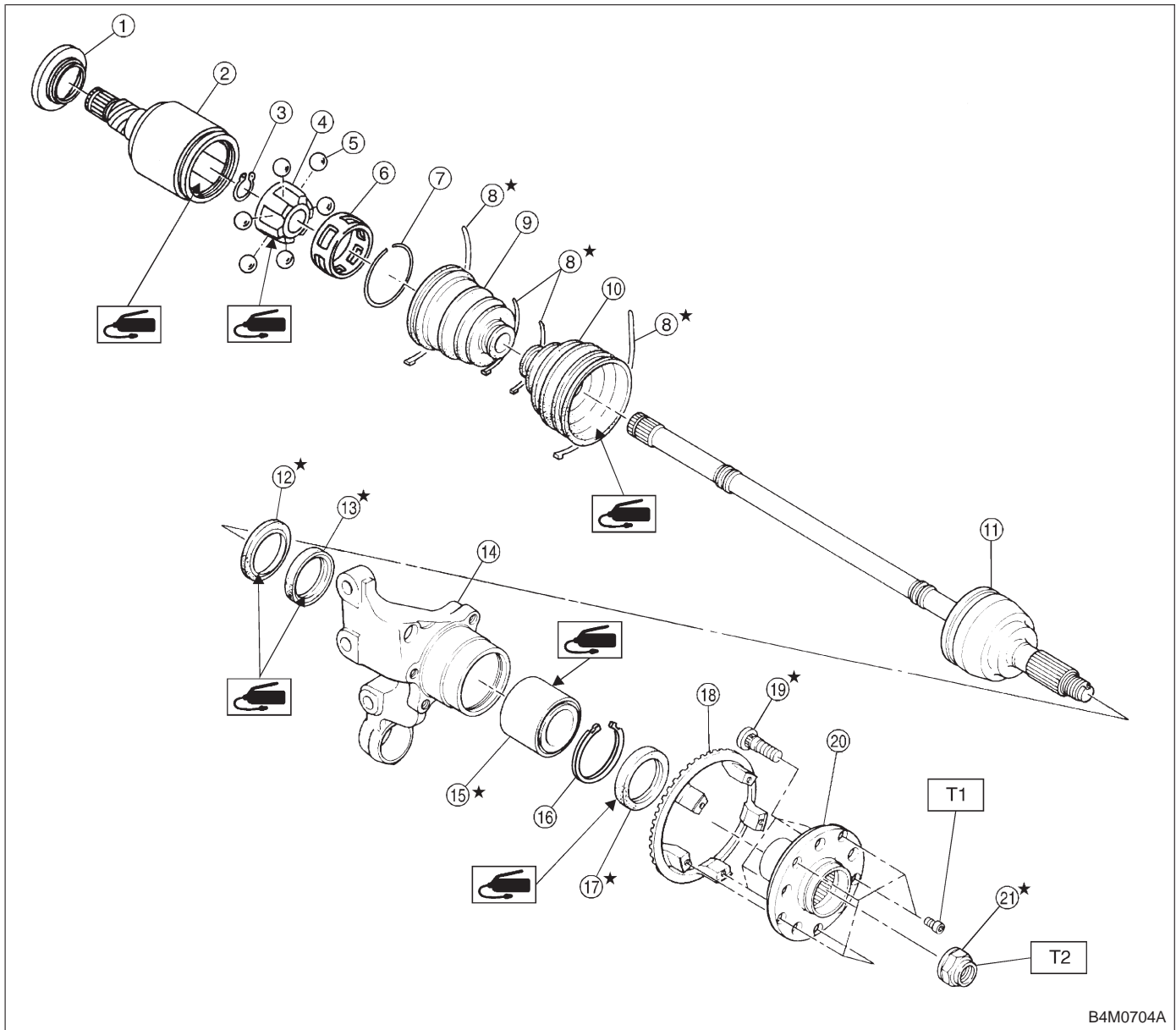


2. Rear Axle

1. AWD MODEL



- ① Baffle plate (DOJ)
- ② Outer race (DOJ)
- ③ Snap ring
- ④ Inner race
- ⑤ Ball
- ⑥ Cage
- ⑦ Circlip
- ⑧ Boot band
- ⑨ Boot (DOJ)

- ⑩ Boot (BJ)
- ⑪ BJ ASSY
- ⑫ Oil seal (IN. No. 2)
- ⑬ Oil seal (IN. No. 3)
- ⑭ Housing
- ⑮ Bearing
- ⑯ Snap ring
- ⑰ Oil seal (OUT)
- ⑱ Tone wheel

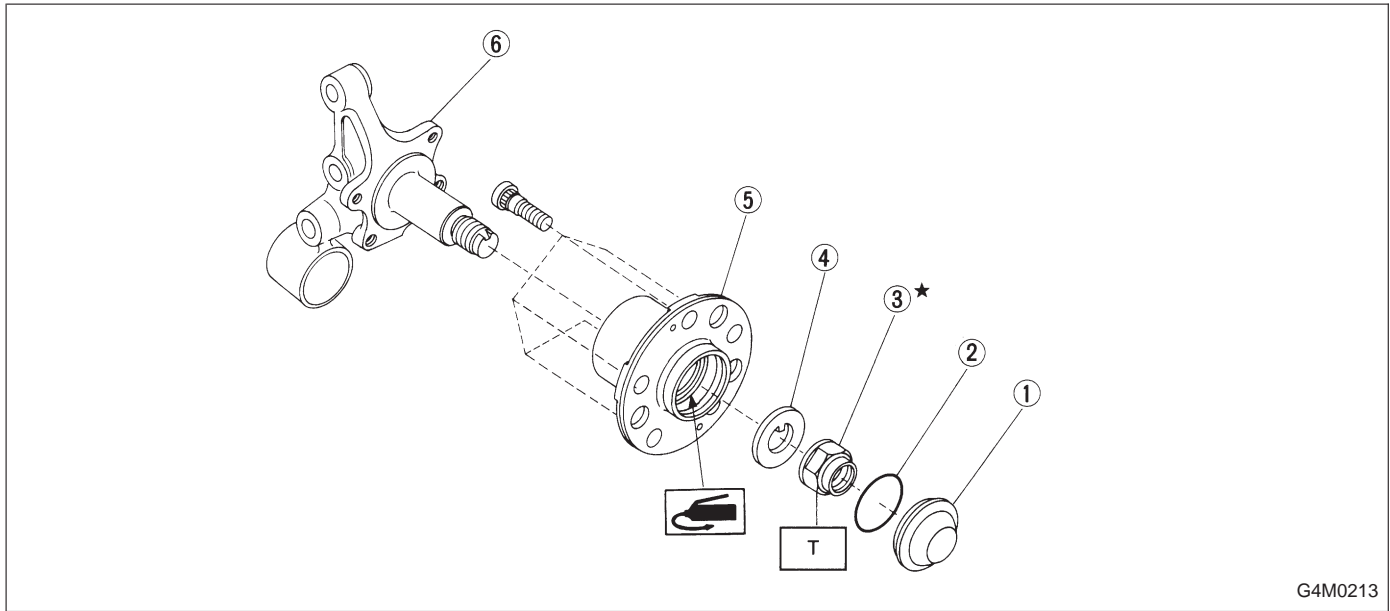
- ⑲ Hub bolt
- ⑳ Hub
- ㉑ Axle nut

Tightening torque: N·m (kg·m, ft·lb)

T1: 13±3 (1.3±0.3, 9.4±2.2)

T2: 186±20 (19±2, 137±14)

2. FWD MODEL



- ① Hub cap
- ② O-ring
- ③ Axle nut
- ④ Washer

- ⑤ Hub unit
- ⑥ Spindle

Tightening torque: N·m (kg-m, ft-lb)
T: 186±20 (19±2, 137±14)