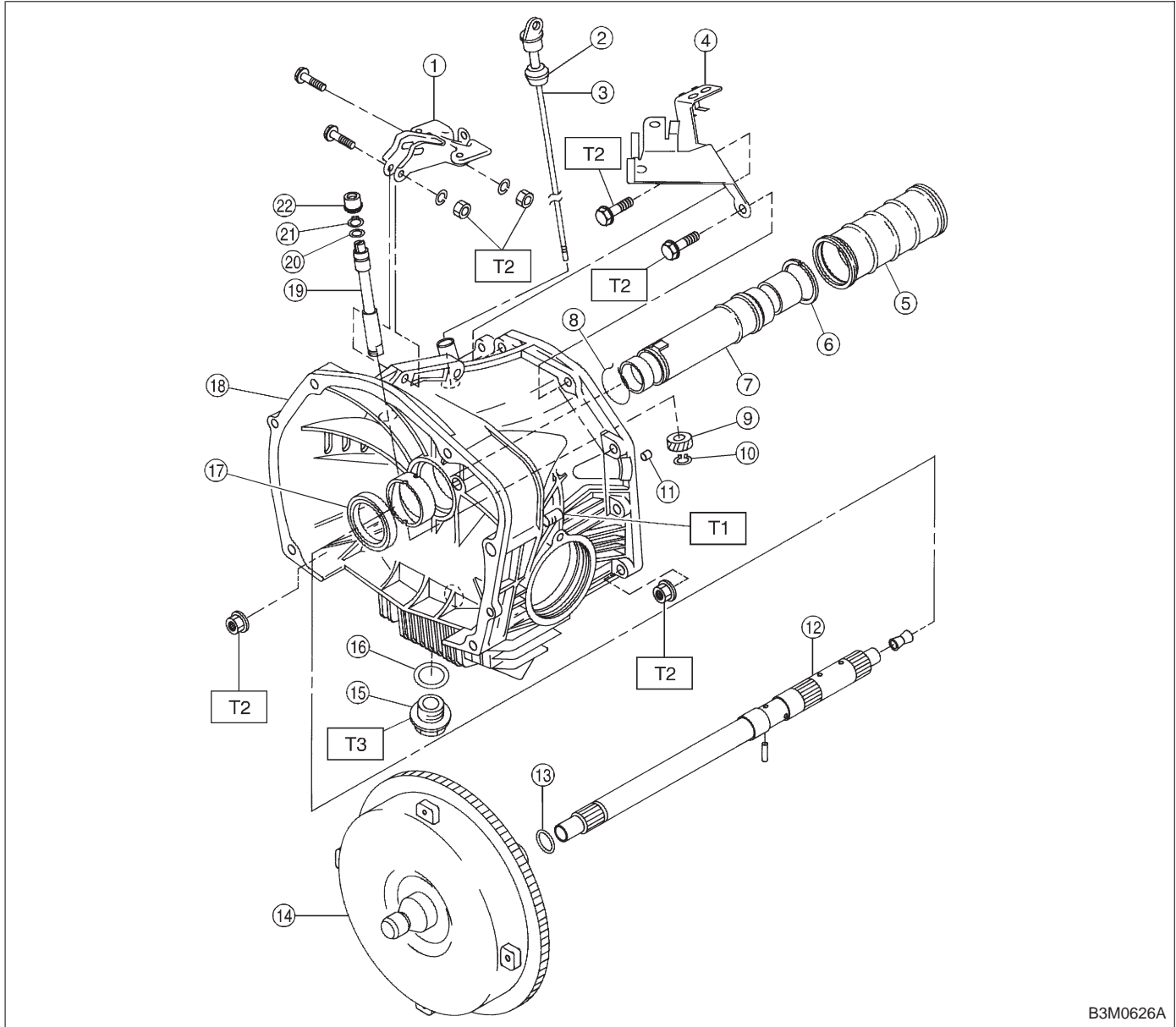


1. Torque Converter Clutch and Case



B3M0626A

- | | |
|----------------------------|--------------------------------|
| ① Pitching stopper bracket | ⑮ Drain plug |
| ② O-ring | ⑯ Gasket |
| ③ Oil level gauge | ⑰ Oil seal |
| ④ Stay | ⑱ Torque converter clutch case |
| ⑤ Seal pipe | ⑲ Speedometer shaft |
| ⑥ Seal ring | ⑳ Washer |
| ⑦ Oil pump shaft | ㉑ Snap ring |
| ⑧ Clip | ㉒ Oil seal |
| ⑨ Speedometer driven gear | |
| ⑩ Snap ring | |
| ⑪ Oil drain pipe | |
| ⑫ Input shaft | |
| ⑬ O-ring | |
| ⑭ Torque converter clutch | |

Tightening torque: N·m (kg·m, ft·lb)**T1: 18±5 (1.8±0.5, 13.0±3.6)****T2: 41±3 (4.2±0.3, 30.4±2.2)****T3: 44±3 (4.5±0.3, 32.5±2.2)**