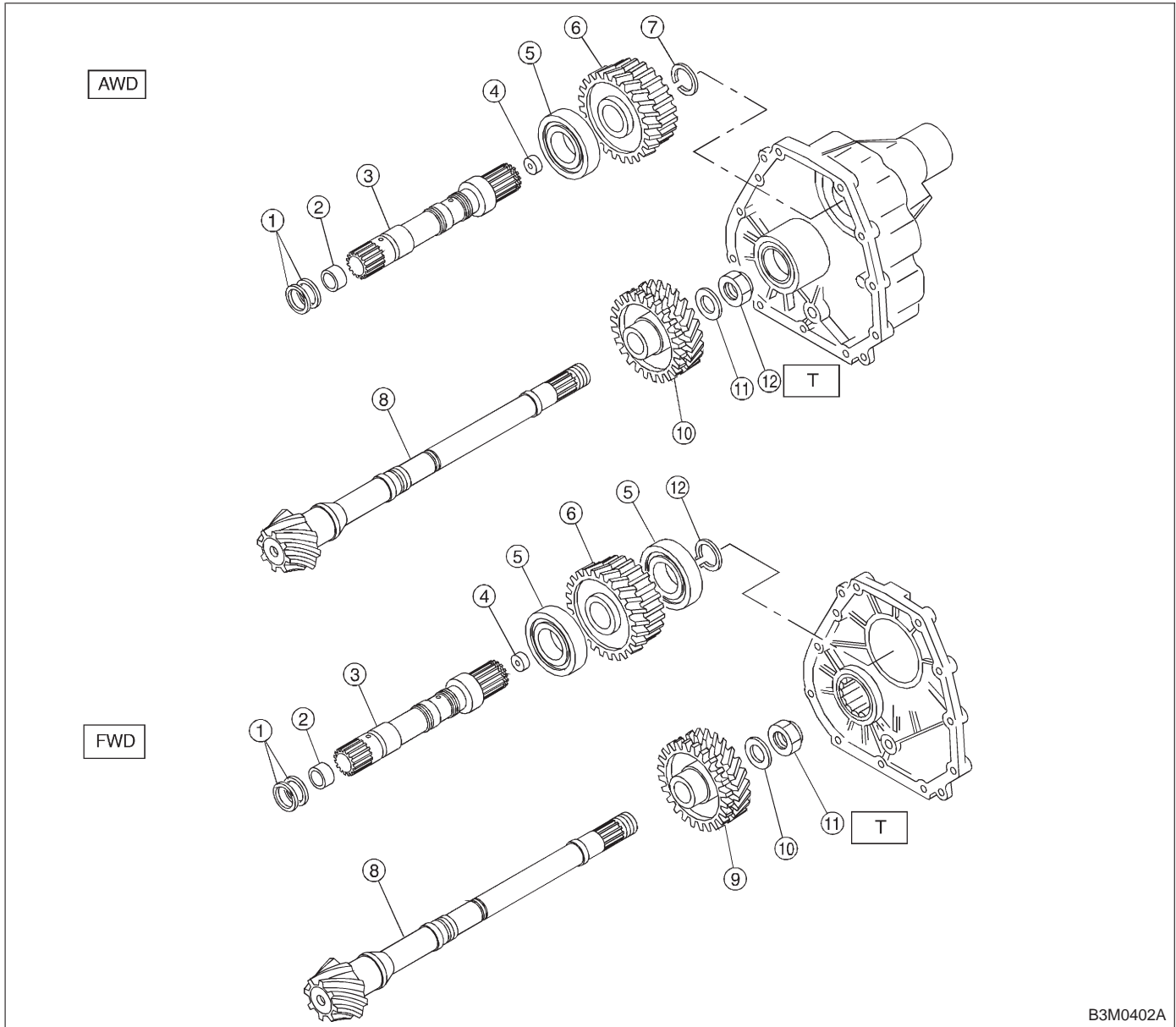


9. Reduction Gear



B3M0402A

- ① Seal ring
- ② Bushing
- ③ Reduction drive shaft
- ④ Plug
- ⑤ Ball bearing
- ⑥ Reduction drive gear
- ⑦ Snap ring
- ⑧ Drive pinion shaft
- ⑨ Reduction driven gear

- ⑩ Washer
- ⑪ Lock nut
- ⑫ Snap ring

Tightening torque: N·m (kg·m, ft·lb)
T: 98±5 (10.0±0.5, 72.3±3.6)