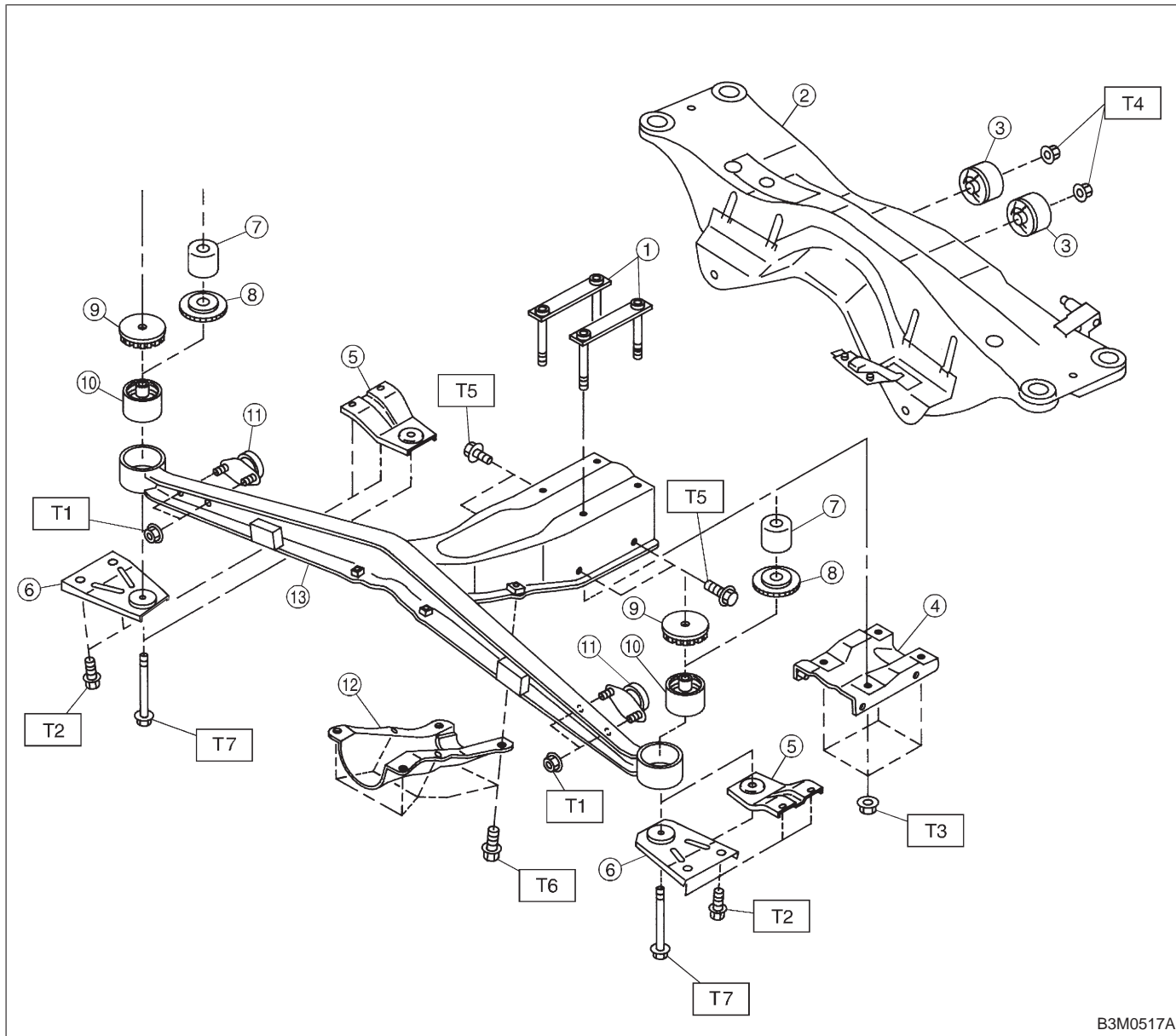


1. Rear Differential Mounting System



B3M0517A

- ① Plate
- ② Crossmember
- ③ Rear bushing
- ④ Differential mount lower bracket
- ⑤ Differential mount bracket (OUTBACK model)
- ⑥ Differential mount bracket
- ⑦ Boss (OUTBACK model)
- ⑧ Stopper (OUTBACK model)
- ⑨ Stopper
- ⑩ Front bushing
- ⑪ Dynamic damper (2500 cc MT model)
- ⑫ Differential mount front cover

- ⑬ Differential front member

Tightening torque: N·m (kg·m, ft·lb)

- T1: 20±5 (2.0±0.5, 14.5±3.6)
- T2: 32±8 (3.3±0.8, 23.9±5.8)
- T3: 64±8 (6.5±0.8, 47.0±5.8)
- T4: 69±8 (7.0±0.8, 50.6±5.8)
- T5: 69±10 (7.0±1.0, 51.0±7.2)
- T6: 88±10 (9.0±1.0, 65.0±7.2)
- T7: 98±10 (10.0±1.0, 72.0±7.2)