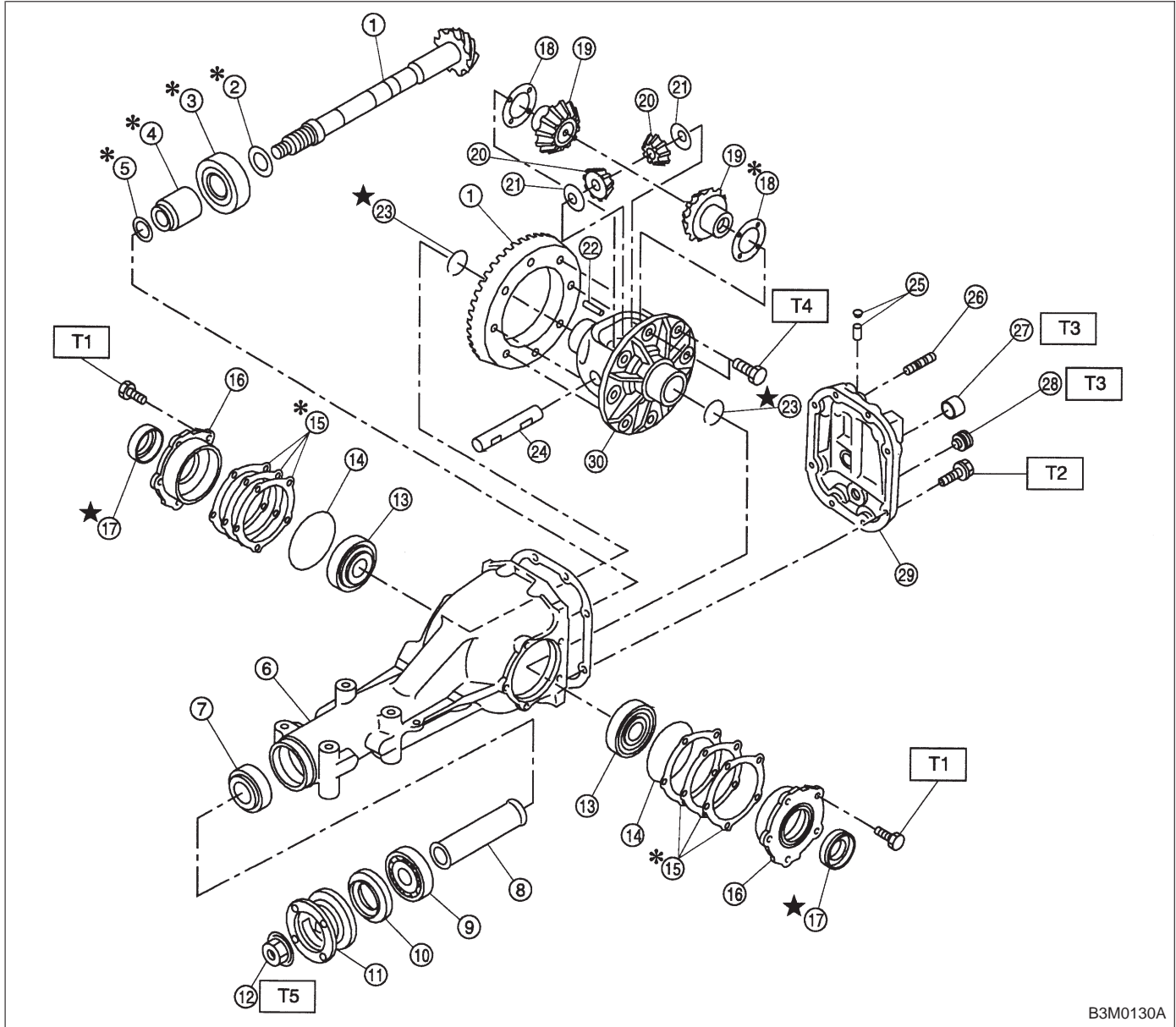


3. Rear Differential Assembly



B3M0130A

- ① Pinion crown gear set
- ② Pinion height adjusting washer
- ③ Rear bearing
- ④ Bearing preload adjusting spacer
- ⑤ Bearing preload adjusting washer
- ⑥ Differential carrier
- ⑦ Front bearing
- ⑧ Spacer
- ⑨ Pilot bearing
- ⑩ Front oil seal
- ⑪ Companion flange
- ⑫ Self-locking nut
- ⑬ Side bearing
- ⑭ O-ring

- ⑮ Side bearing retainer shim
- ⑯ Side bearing retainer
- ⑰ Side oil seal
- ⑱ Side gear thrust washer
- ⑲ Side gear
- ⑳ Pinion mate gear
- ㉑ Pinion mate gear washer
- ㉒ Pinion shaft lock pin
- ㉓ Circlip
- ㉔ Pinion mate shaft
- ㉕ Air breather cap
- ㉖ Stud bolt
- ㉗ Oil filler plug
- ㉘ Oil drain plug

- ㉙ Rear cover
- ㉚ Differential case

Tightening torque: N-m (kg-m, ft-lb)

- T1: 10.3±1.5**
(1.05±0.15, 7.6±1.1)
- T2: 29.4±4.9**
(3.00±0.50, 21.7±3.6)
- T3: 44.1±3.9**
(4.50±0.40, 32.5±2.9)
- T4: 103.0±9.8**
(10.50±1.00, 75.9±7.2)
- T5: 181.4±14.7**
(18.50±1.50, 133.8±10.8)