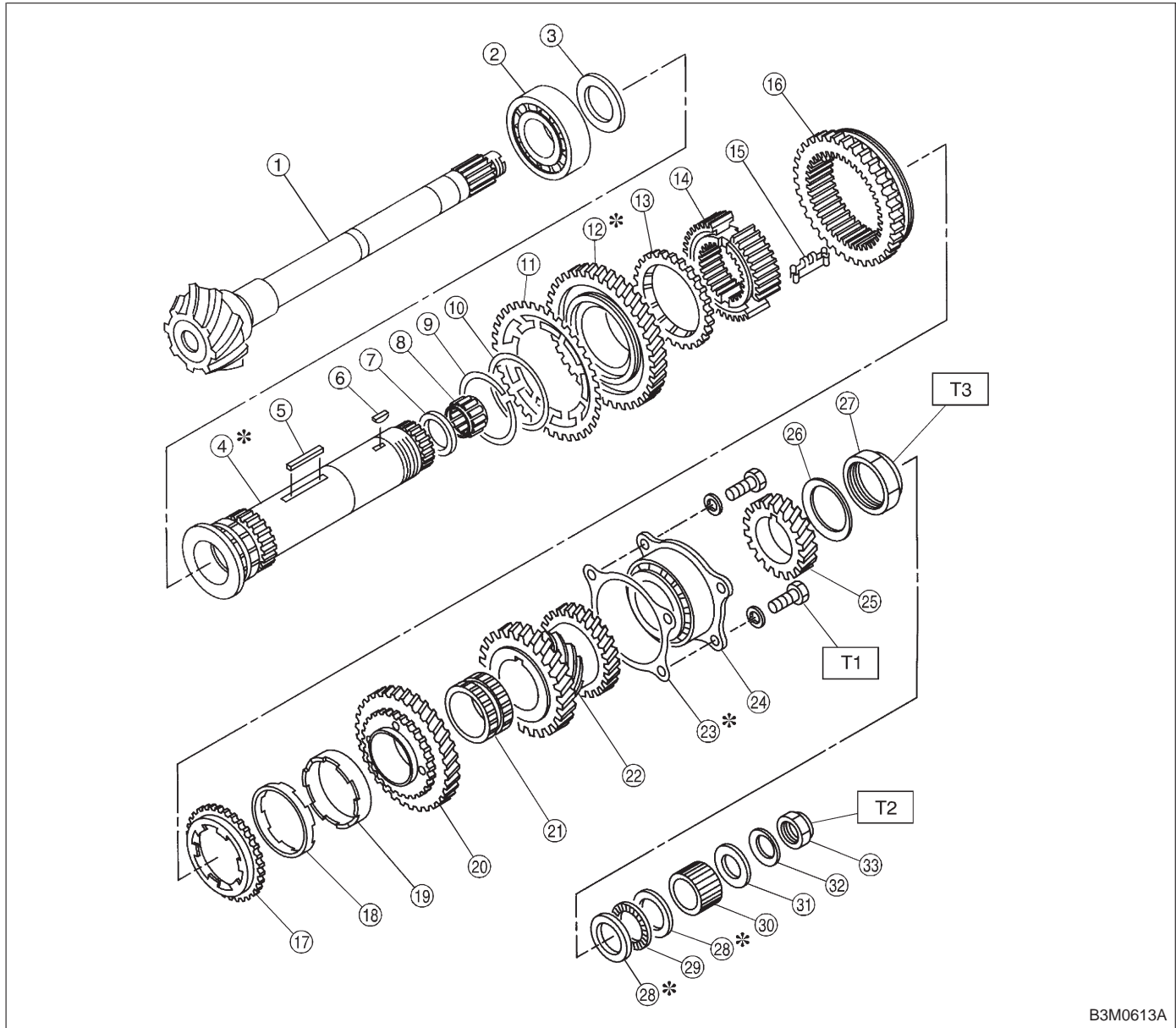


5. Drive Pinion Assembly

1. AWD MODEL



B3M0613A

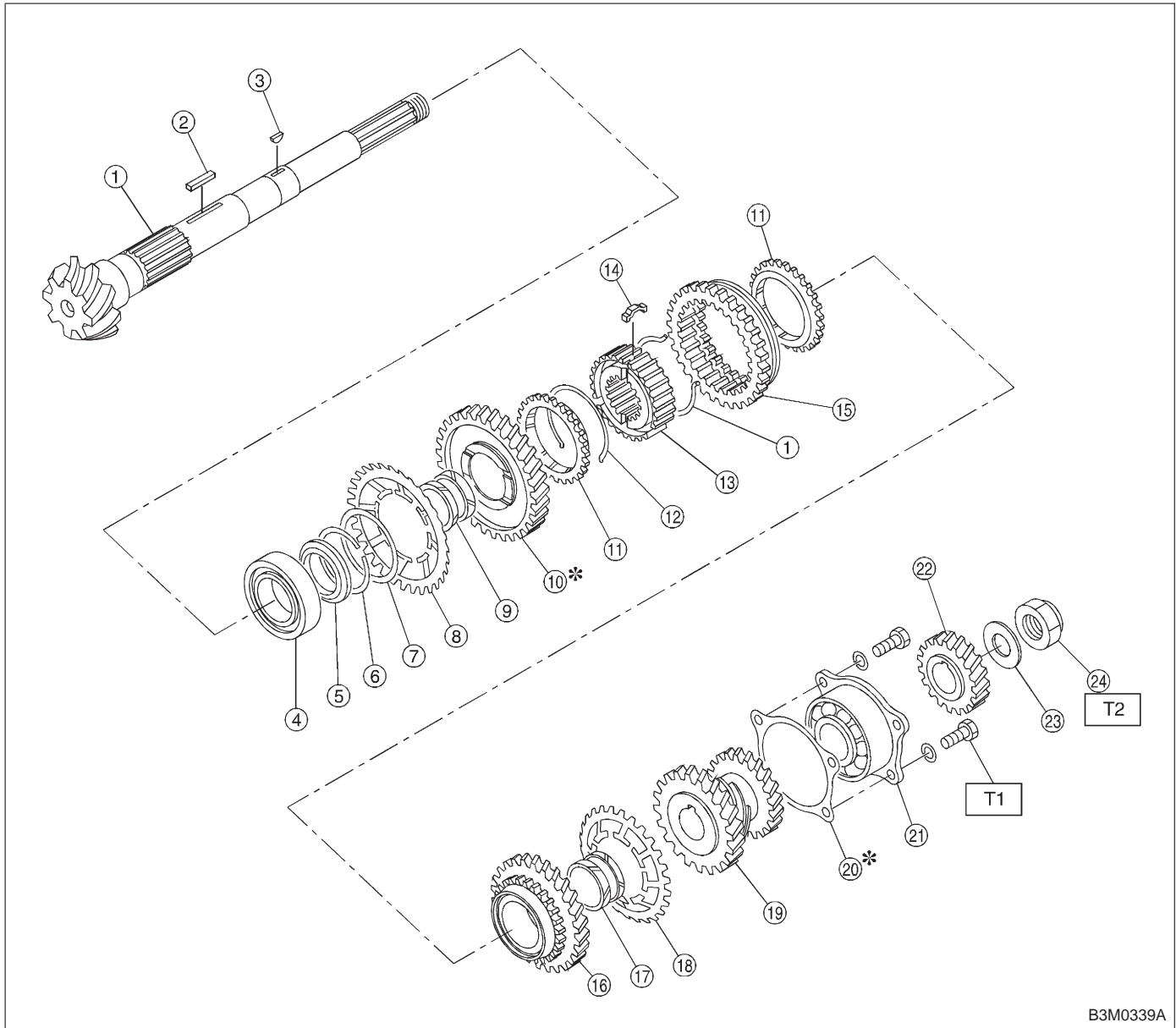
- ① Drive pinion shaft
- ② Roller bearing
- ③ Washer
- ④ Driven shaft
- ⑤ Key
- ⑥ Woodruff key
- ⑦ Drive pinion collar
- ⑧ Needle bearing
- ⑨ Snap ring (Outer)
- ⑩ Washer
- ⑪ Sub gear
- ⑫ 1st driven gear
- ⑬ Baulk ring

- ⑭ 1st-2nd synchronizer hub
- ⑮ Insert key
- ⑯ Reverse driven gear
- ⑰ Outer baulk ring
- ⑱ Synchro cone
- ⑲ Inner baulk ring
- ⑳ 2nd driven gear
- ㉑ 2nd driven gear bush
- ㉒ 3rd-4th driven gear
- ㉓ Driven pinion shim
- ㉔ Roller bearing
- ㉕ 5th driven gear
- ㉖ Lock washer

- ㉗ Lock nut
- ㉘ Washer
- ㉙ Thrust bearing
- ㉚ Differential bevel gear sleeve
- ㉛ Washer
- ㉜ Lock washer
- ㉝ Lock nut

Tightening torque: N·m (kg·m, ft·lb)**T1: 29±3 (3.0±0.3, 21.7±2.2)****T2: 118±8 (12.0±0.8, 86.8±5.8)****T3: 265±10 (27±1, 195±7)**

2. FWD MODEL



B3M0339A

- ① Drive pinion shaft
- ② Key
- ③ Woodruff key
- ④ Roller bearing
- ⑤ 1st gear thrust plate
- ⑥ Snap ring (Outer)
- ⑦ Washer
- ⑧ 1st sub gear
- ⑨ 1st gear bushing
- ⑩ 1st driven gear

- ⑪ 1st-2nd baulk ring
- ⑫ 1st-2nd synchronizer spring
- ⑬ 1st-2nd synchronizer hub
- ⑭ 1st-2nd shifting insert
- ⑮ Reverse driven gear
- ⑯ 2nd driven gear
- ⑰ 2nd gear bushing
- ⑱ 2nd sub gear
- ⑲ 3rd-4th driven gear
- ⑳ Drive pinion shim

- ㉑ Ball bearing
- ㉒ 5th driven gear
- ㉓ Lock washer
- ㉔ Lock nut

Tightening torque: N·m (kg·m, ft·lb)

T1: 29±3 (3.0±0.3, 22±2)

T2: 118±6 (12.0±0.6, 86.8±4.3)