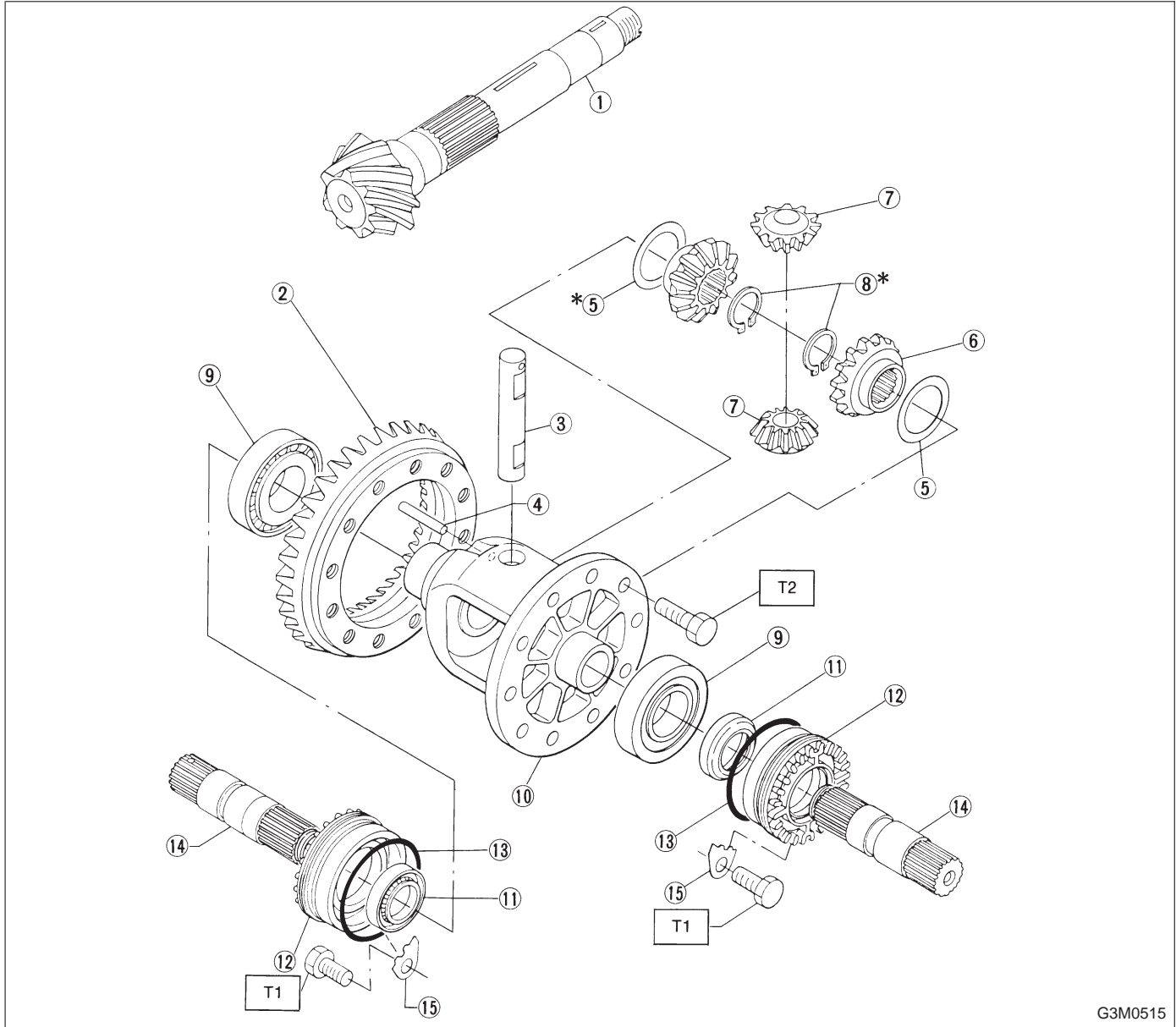


8. Front Differential



G3M0515

- ① Drive pinion shaft
- ② Hypoid driven gear
- ③ Pinion shaft
- ④ Straight pin
- ⑤ Washer
- ⑥ Differential bevel gear
- ⑦ Differential bevel pinion
- ⑧ Snap ring (Outer)
- ⑨ Roller bearing
- ⑩ Differential case

- ⑪ Oil seal
- ⑫ Differential side retainer
- ⑬ O-ring
- ⑭ Axle drive shaft
- ⑮ Retainer lock plate

Tightening torque: N·m (kg·m, ft·lb)

T1: 25±5 (2.5±0.5, 18.1±3.6)

T2: 62±5 (6.3±0.5, 45.6±3.6)