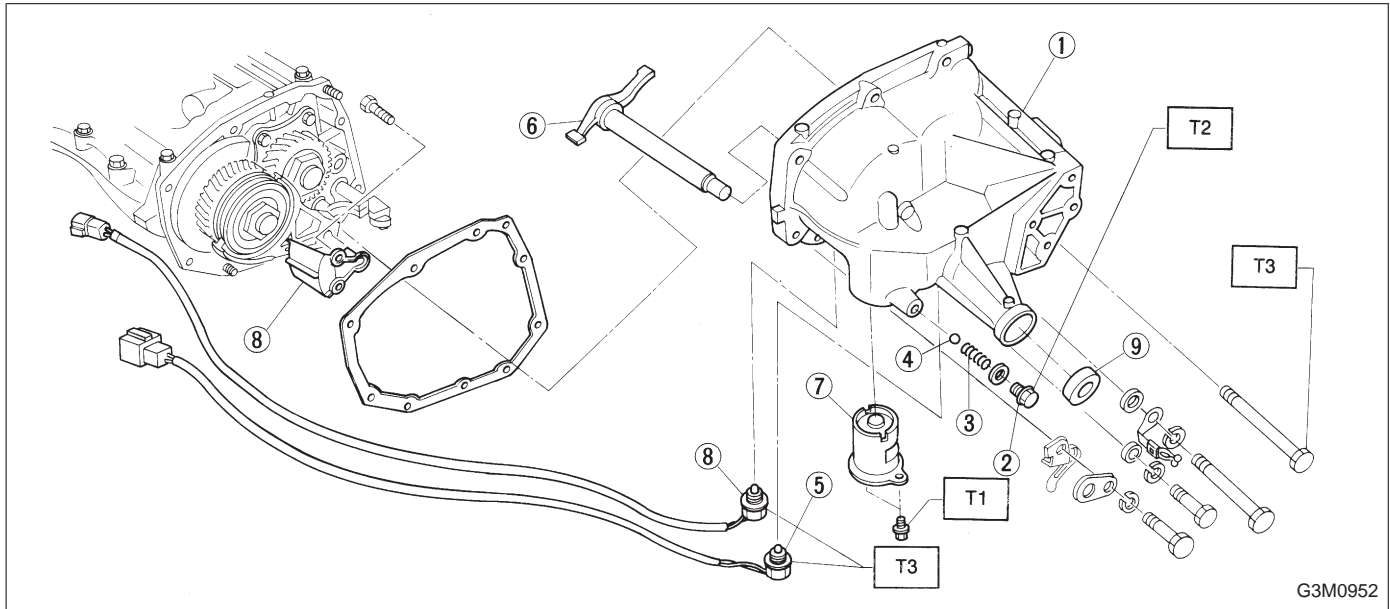


3. Rear Case (FWD Model)

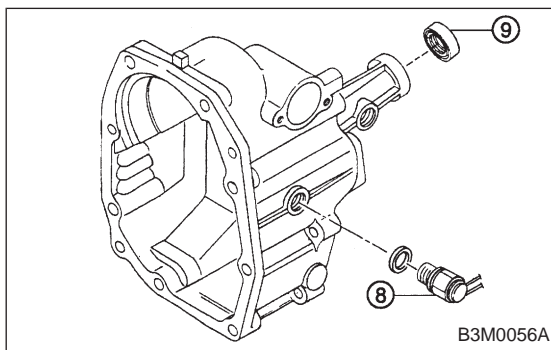
A: DISASSEMBLY

**Tightening torque: N·m (kg·m, ft·lb)**T1: 6.4 ± 0.5 (0.65 ± 0.05 , 4.7 ± 0.4)T2: 10 ± 1 (1.0 ± 0.1 , 7.2 ± 0.7)T3: 25 ± 2 (2.5 ± 0.2 , 18.1 ± 1.4)

- 1) Remove rear case ①.
- 2) Remove plug ②, spring ③ and reverse check ball ④.
- 3) Remove neutral switch ⑤.
- 4) Pull out shifter arm ⑥.
- 5) Remove reverse check sleeve ⑦.

NOTE:

The disassembly procedure is the same as for AWD model.

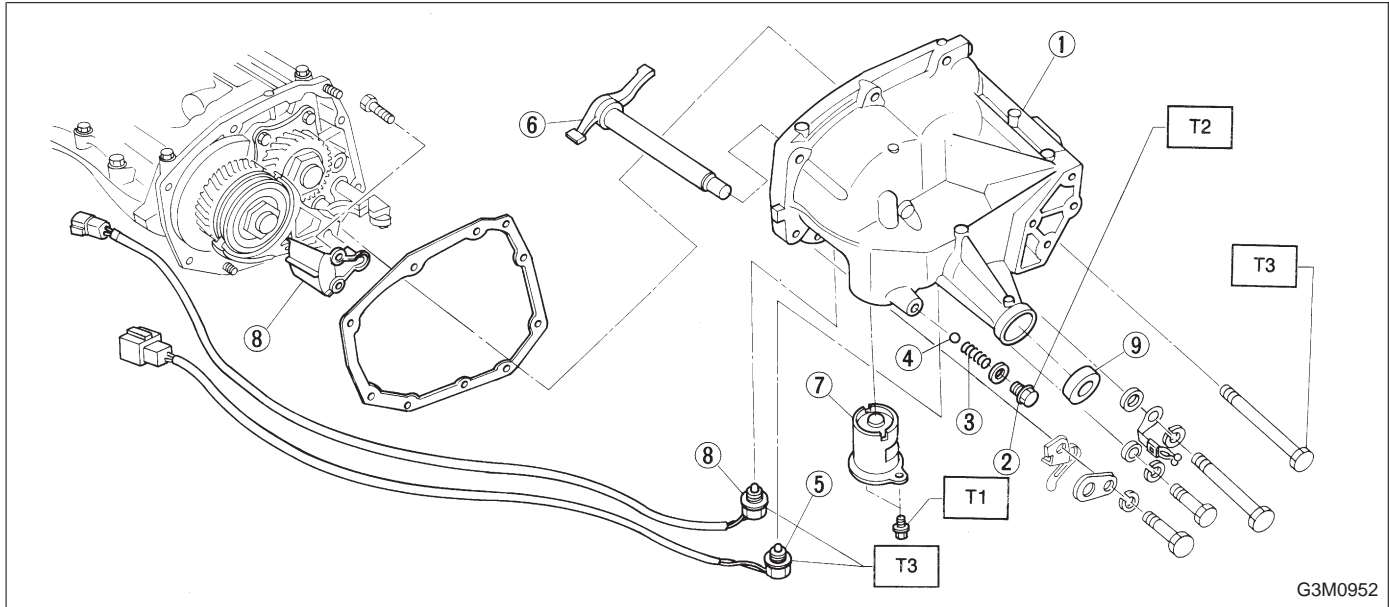


- 6) Remove back-up light switch ⑧.
- 7) Remove oil seal ⑨.

CAUTION:**Do not reuse oil seal.**

B: ASSEMBLY

1) Assembly of rear case is in the reverse order of disassembly.



G3M0952

Tightening torque: N·m (kg·m, ft·lb)

T1: 6.4±0.5 (0.65±0.05, 4.7±0.4)

T2: 10±1 (1.0±0.1, 7.2±0.7)

T3: 25±5 (2.5±0.5, 18.1±3.6)

2) Installation of shifter arm ⑥

Install shifter arm into the partition from the front while inserting selector arm into the opening in reverse check sleeve. Pass shaft through hole in selector arm until its end comes out of the rear of transmission case assembly.

CAUTION:

Apply a coat of gear oil to shifter arm. Also make sure oil seal is positioned properly.

3) Adjustment of neutral position

NOTE:

After assembling and installing rear case, adjust neutral position.

(1) Shift gear into 3rd gear position.

(2) Shifter arm turns lightly toward the 1st/2nd gear side but heavily toward the reverse gear side because of the function of the return spring, until arm contacts the stopper.

(3) Make adjustment so that the heavy stroke (reverse side) is a little more than the light stroke (1st/2nd side).

(4) To adjust, remove bolts holding reverse check sleeve assembly to the case, move sleeve assembly outward, and place adjustment shim (0 to 1 ea.) between sleeve assembly and case to adjust the clearance.

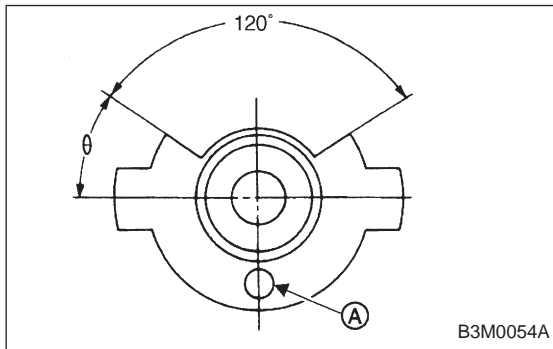
CAUTION:**Be careful not to break O-ring when placing shim(s).**

Adjustment shim	
Part No.	Thickness mm (in)
32190AA000	0.15 (0.0059)
32190AA010	0.30 (0.0118)

NOTE:

- When shim is removed, the neutral position will move closer to reverse; when shim is added, the neutral position will move closer to 1st gear.
- If shims alone cannot adjust the clearance, replace reverse accent shaft and re-adjust.

Reverse accent shaft		
Part No.	Mark	Remarks
32188AA040	1	Neutral position is closer to 1st gear.
32188AA011	No mark or 2	Standard
32188AA050	3	Neutral position is closer to reverse gear.

**4) Reverse check plate adjustment****NOTE:**

After assembling and installing rear case, adjust reverse check plate.

Shift shifter arm to "5th" and then to reverse to see if reverse checking mechanism operates properly. Also check to see if arm returns to Neutral when released from the reverse position. If arm does not return properly, replace reverse check plate.

Reverse check plate			
Part No.	Ⓐ: No.	Angle θ	Remarks
32189AA000	0	28°	Arm stops closer to 5th gear.
32189AA010	1	31°	Arm stops closer to 5th gear.
32189AA020	2	34°	Arm stops in the center.
32189AA030	3	37°	Arm stops closer to reverse gear.
32189AA040	4	40°	Arm stops closer to reverse gear.