

# Interior equipment

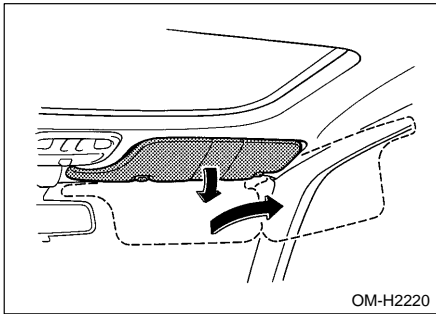
---

<b>Sun visors</b> .....	6-2
<b>Vanity mirror (if equipped)</b> .....	6-2
<b>Vanity mirror with light (if equipped)</b> .....	6-3
<b>Storage compartment</b> .....	6-3
<b>Glove compartment</b> .....	6-4
<b>Center console</b> .....	6-4
<b>Sunglasses storage compartment (if equipped)</b> .....	6-5
<b>Cup holder</b> .....	6-5
<b>Cigarette lighter and ash tray (option)</b> .....	6-6
<b>Cigarette lighter</b> .....	6-7
<b>Ashtray</b> .....	6-8
<b>Front ashtray</b> .....	6-9
<b>Rear ashtray</b> .....	6-9
<b>Accessory power socket</b> .....	6-9
<b>Electrical power socket located on the lower part of     the instrument panel</b> .....	6-9
<b>Accessory power socket in the luggage compartment     (if equipped)</b> .....	6-9
<b>Interior light</b> .....	6-11
<b>Spotlight (if equipped)</b> .....	6-12
<b>Luggage area light (Wagon only)</b> .....	6-13
<b>Luggage cover (Wagon — if equipped)</b> .....	6-14
<b>Using the cover</b> .....	6-14
<b>To remove the cover housing</b> .....	6-15
<b>To install the cover housing</b> .....	6-15
<b>Cargo anchorage eyelets (if equipped)</b> .....	6-15
<b>Storage tray (Wagon — if equipped)</b> .....	6-16
<b>Maintenance tools</b> .....	6-17

---

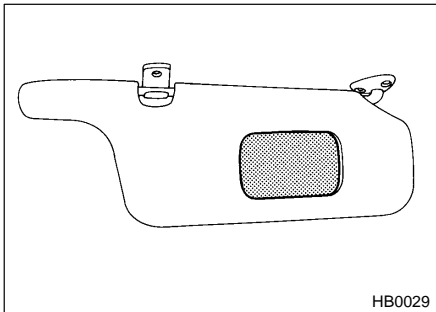
## Sun visors

---



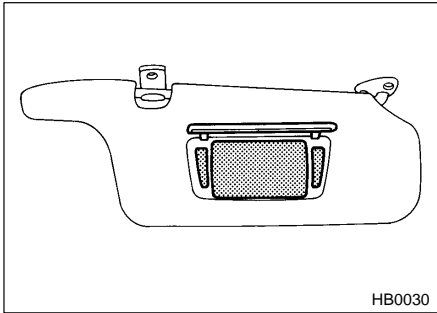
To block out glare, swing down the visors. To use the sun visor at a side window, swing it down and move it sideways.

### ■ Vanity mirror (if equipped)



To use the vanity mirror, swing down the visor.

■ Vanity mirror with light (if equipped)



To use the vanity mirror, swing down the visor and open the cover. The lights beside the vanity mirror come on when the ignition switch is either in the "ACC" or "ON" position and the mirror cover is opened.

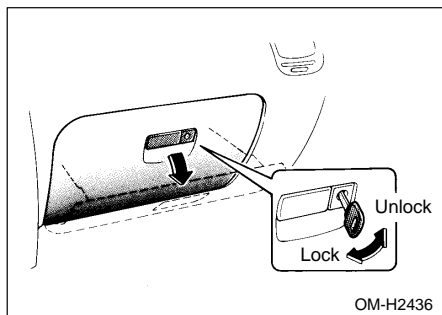
## Storage compartment

**⚠ CAUTION**

- Always keep the storage compartment closed while driving to reduce the risk of injury in the event of sudden stops or an accident.
- Do not store spray cans, containers with flammable or corrosive liquids or any other dangerous items in the storage compartment.

---

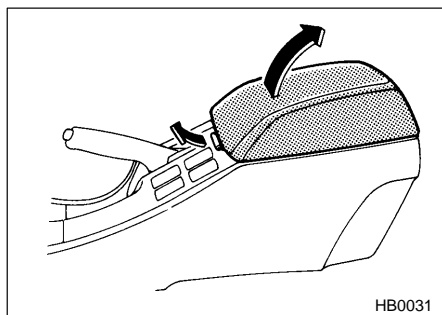
## ■ Glove compartment



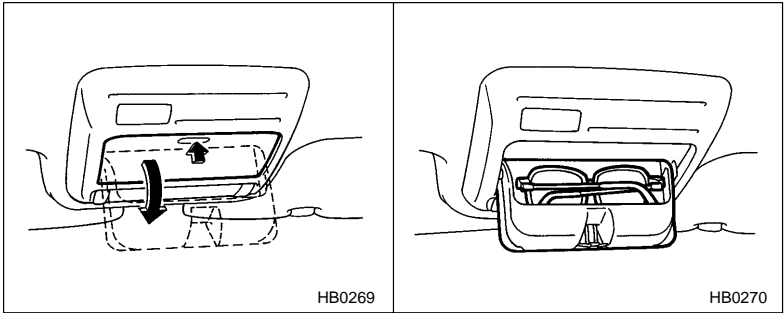
To open the glove compartment, pull the handle. To close it, push the lid firmly upward.

To lock the glove compartment, insert the master key and turn it clockwise. To unlock it, insert the master key and turn it counterclockwise.

## ■ Center console



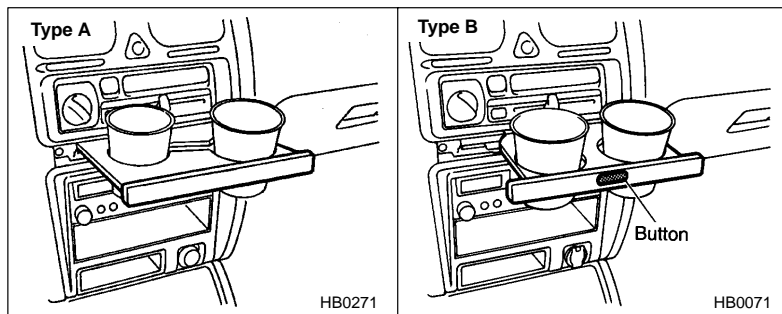
To open the lid, pull up the lock release.

**■ Sunglasses storage compartment (if equipped)**

The sunglasses storage compartment can be used to store a pair of sunglasses or small items such as a garage door opener. To open the compartment, push on the lid lightly and it will automatically open.

**Cup holder****CAUTION**

- When not in use, always keep the holder stored while driving to reduce the risk of injury in the event of a sudden stop or an accident.
- Do not pick up a cup from the cup holder or put a cup in the holder while you are driving, as this may distract you and lead to an accident.
- Take care to avoid spills. Beverages, if hot, might burn you or your passengers. Spilled beverages may also damage upholstery, carpets or audio equipment.



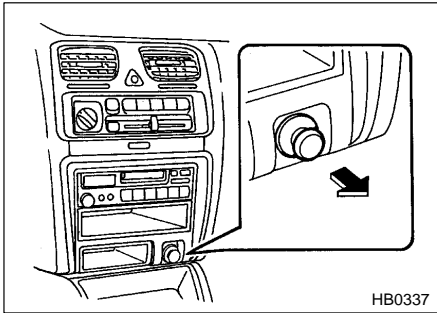
**Type A:** To use the cup holder, push on the center of its front surface and it will automatically pop out. Then pull it out completely.

**TYPE B:** To use the cup holder, push the button and it will automatically pop out. Then pull it out completely.

## Cigarette lighter and ashtray (option)

### CAUTION

- The electrical power socket located on the lower part of the instrument panel is designed to use only a SUBARU genuine cigarette lighter plug. Do not use non-genuine cigarette lighter plugs or any “plug-in” type electrical accessories in the socket. Doing so may cause a short-circuit and overheating, resulting in a fire.
- You should install a SUBARU genuine ashtray if you smoke in the vehicle. The pocket located near the socket is not designed to sustain high temperatures. Using the pocket in place of the ashtray may cause a fire.



The electrical power socket located on the lower part of the instrument panel can be used as cigarette lighter socket. A cigarette lighter plug and front and rear ashtrays are optional accessories. They are available from your SUBARU dealer.

If smoking is not desired, always put the cap on the socket to prevent any foreign object from entering it.

### ■ Cigarette lighter



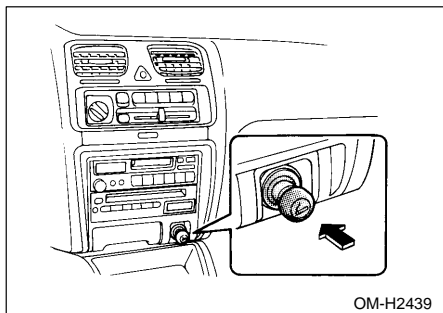
#### **WARNING**

To avoid being burned, never grasp the lighter by the end with the heating element. Doing so could result in injury and could also damage the heating element.



#### **CAUTION**

Do not hold the lighter pushed in, because it will overheat.



The cigarette lighter operates only when the ignition switch is in the "ON" and "ACC" position.

To use the cigarette lighter, push in the knob and wait a few moments. It will automatically spring up when ready for use.

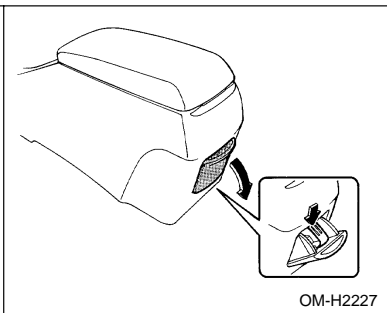
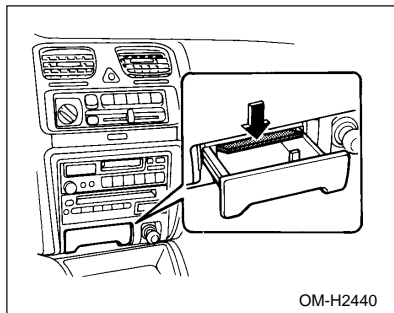
### ■ Ashtray



## CAUTION

**Do not use ashtrays as waste receptacles or leave a lighted cigarette in an ashtray. This could cause a fire.**

Fully close the ashtray after using it to help reduce residual smoke.





### ■ Front ashtray

To open the ashtray, pull the lid out.

To remove the ashtray for cleaning, open it and pull it out while pushing the inner plate down.

### ■ Rear ashtray

To open the ashtray, pull the upper edge of the lid.

To remove the ashtray for cleaning, open it and pull it out while pushing the inner plate down.

## Accessory power socket

---

### ■ Electrical power socket located on the lower part of the instrument panel



#### **CAUTION**

The electrical power socket located on the lower part of the instrument panel is designed to use only a SUBARU genuine cigarette lighter plug. Do not use non-genuine cigarette lighter plugs or any “plug-in” type electrical accessories in the socket. Doing so may cause a short-circuit and overheating, resulting in a fire. Refer to the Cigarette lighter and ashtray section in this chapter.

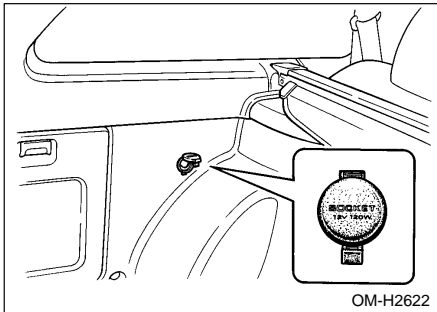
### ■ Accessory power socket in the luggage compartment (if equipped)



#### **CAUTION**

- Do not attempt to use a cigarette lighter in the accessory power socket.
- Do not place any foreign objects, especially metal ones such as coins or aluminum foil, into the accessory power socket. That could cause a short circuit. Always put the cap on the accessory power socket when it is not in use.

- Use only electrical appliances which are designed for 12V DC and which consume less than 120W. Overloading the accessory power socket can cause a short circuit. Do not use double adapters or more than one electrical appliance.
- If the plug on your electric appliance is either too loose or too tight for the accessory power socket, this can result in a poor contact or cause the plug to get stuck. Only use plugs that fit properly in the accessory power socket.
- Use of an electric appliance in the accessory power socket for a long period of time while the engine is not running can cause battery discharge.

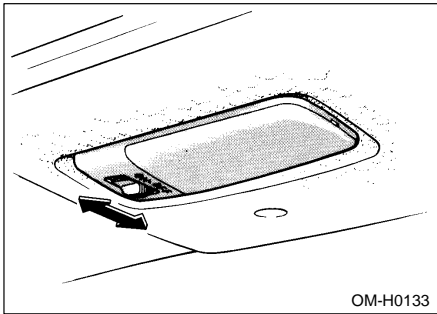


The accessory power socket is located on the left side of the luggage compartment.

Electrical power (12V DC) from the battery is on tap at the socket when the ignition switch is either in the "ACC" or "ON" position.

You can use an in-car use electrical appliance by connecting it to the socket.

## Interior light



The interior light switch has three positions:

**ON:** The light stays on continuously.

**Middle position:** The light comes on only when any door is opened.

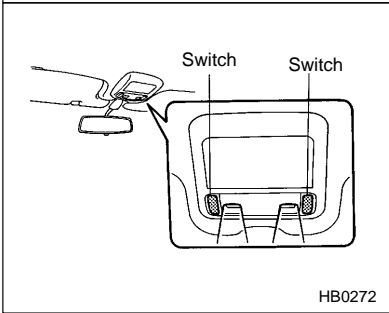
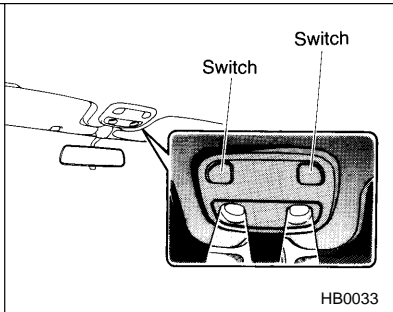
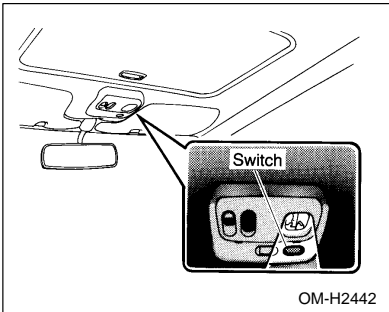
**OFF:** The light stays off.

When leaving your vehicle, make sure the light is turned off to avoid battery discharge.

---

## Spotlight (if equipped)

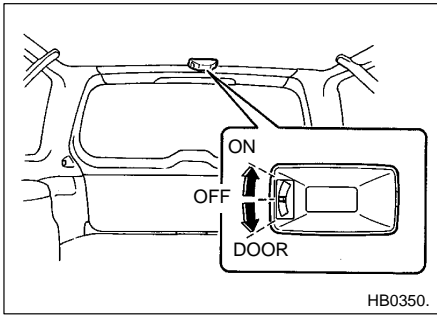
---



To turn on the spotlight, push the switch. To turn it off, push the switch again.

When leaving the vehicle, make sure the light is turned off to avoid battery discharge.

## Luggage area light (Wagon only)



The luggage area light switch has three positions:

**ON:** The light stays on continuously.

**DOOR:** The light comes on only when the rear gate is opened.

**OFF:** The light stays off.

When leaving your vehicle, make sure the light is turned off to avoid battery discharge.

---

## Luggage cover (Wagon — if equipped)

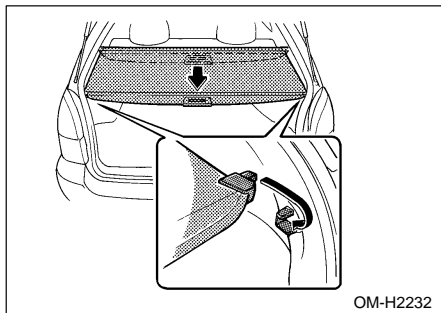
---

### CAUTION

**Do not place anything on the extended cover. Putting excessive weight on the extended cover can break it and an object on the cover could tumble forward in the event of a sudden stop or collision. This could cause serious injury.**

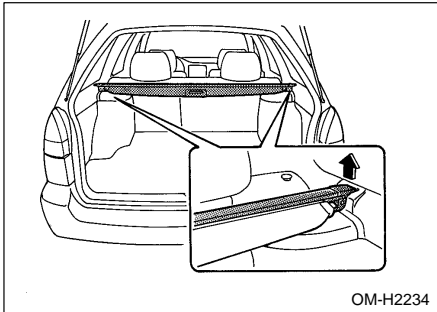
The luggage cover is provided for covering the luggage compartment and to protect its contents from direct sunlight. This cover is detachable to make room for additional cargo.

### ■ Using the cover



To extend the cover, pull the end of the cover out of the cover housing, then insert its hooks into the catches as shown. To rewind it, unhook it from the catches and it will rewind automatically. You should hold on to the cover and guide it back into the cover housing while it is rewinding.

### ■ To remove the cover housing



1. Rewind the cover.
2. To take it off the retainer, lift it out.
3. Store the cover housing in the luggage area.

### ■ To install the cover housing

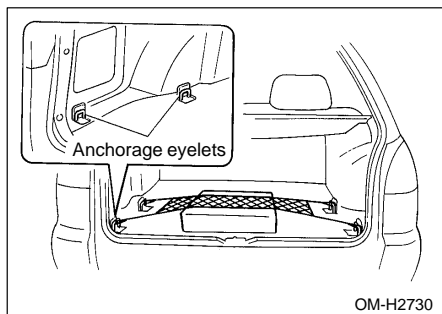
Insert the both ends of the cover housing into the retainers.

## Cargo anchorage eyelets (if equipped)



### **CAUTION**

The cargo anchorage eyelets are designed only for securing light luggage. Never try to secure any luggage which weighs more than the load capacity of the anchorage eyelets. The maximum load capacity is about 44 lb. (20 kg) per eyelet.



The luggage compartment is equipped with four anchorage eyelets so that luggage can be secured with a luggage net or ropes.

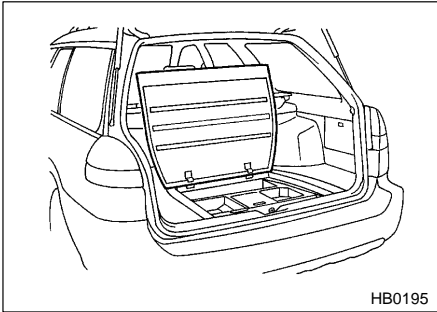
When using the anchorage eyelets, raise them up from under the cutouts of the luggage compartment mat. When not in use, put the eyelets down into the storing recesses.

## Storage tray (Wagon — if equipped)

### CAUTION

- Always keep the lid of the storage tray closed while driving to reduce the risk of injury in the event of sudden stops or an accident.
- Do not store spray cans, containers with flammable or corrosive liquids or any other dangerous items in the storage tray.



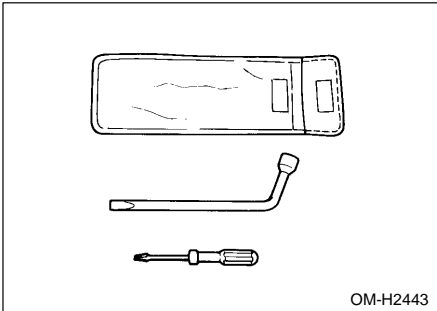


The storage tray is located under the floor of the luggage compartment and can be used to store small items. To open the lid, pull the handle up.

**NOTE**

When storing a flat tire, put the storage tray in the luggage compartment.

## Maintenance tools



Your vehicle is equipped with the following maintenance tools:

Screwdriver

Wheel nut wrench