

1. Supplemental Restraint System "Airbag"

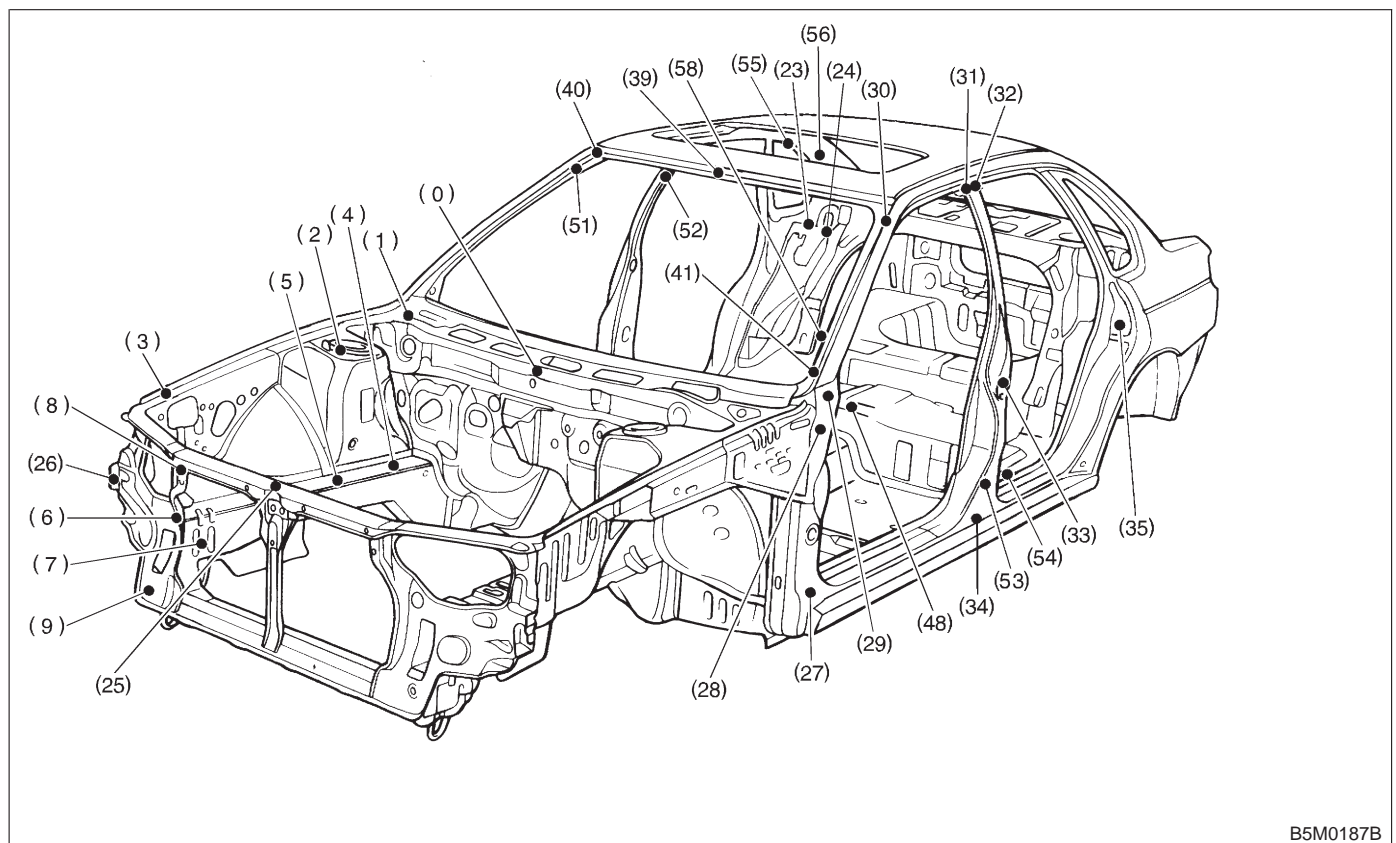
1. Supplemental Restraint System "Airbag"

Airbag system wiring harness is routed on and along body panels.

CAUTION:

- All Airbag system wiring harness and connectors are colored yellow. Do not use electrical test equipment on these circuits.
- Be careful not to damage Airbag system wiring harness when repairing the body panel.

A: ENGINE COMPARTMENT AND ROOM



B5M0187B

- | | | |
|---|---|---|
| (0) Cowl panel weather attaching hole 6 mm (0.24 in) dia. | (7) Side frame of front side frame 12 mm (0.47 in) dia. | (27) Front fender attaching hole at front pillar lower portion M6 |
| (1) Hood hinge front attaching hole M8 | (8) Headlight attaching hole at radiator side panel 6.2 × 9 mm (0.244 × 0.35 in) dia. | (28) Hinge middle hole at front pillar center 10 mm (0.39 in) dia. |
| (2) Strut mount attaching hole (Front center) 9.5 mm (0.374 in) dia. | (9) Radiator panel side (LWR) gauge hole 23 mm (0.91 in) dia. | (29) Front fender attaching hole at front pillar center portion M6 |
| (3) Front fender attaching hole (Tip) M6 | (23) Rear strut mount attaching hole (Side) 10 mm (0.39 in) dia. | (30) Retainer attaching square hole at front pillar 7 × 7 mm (0.28 × 0.28 in) |
| (4) Rear upper surface of front side frame 12 mm (0.47 in) dia. | (24) Rear strut mount attaching hole (Center) 12 mm (0.47 in) (0.244 × 0.35 in) dia. | (31) Retainer attaching hole at center pillar (Front) 3.5 mm (0.138 in) dia. |
| (5) Middle upper surface of front side frame 20 mm (0.79 in) dia. | (25) Radiator panel (UPR) middle hole 6 mm (0.24 in) dia. | (32) Retainer attaching hole at center pillar (Rear) 3.5 mm (0.138 in) dia. |
| (6) Front side frame front upper surface 14 × 16 mm (0.55 × 0.63 in) dia. oblong hole | (26) Front fender attaching hole at radiator panel side M6 | |

2. Body Datum Points

Various master repair locations are established as datum points used during body repairs. In addition, guide holes, locators and indents are provided to facilitate panel replacement and achieve alignment accuracy.

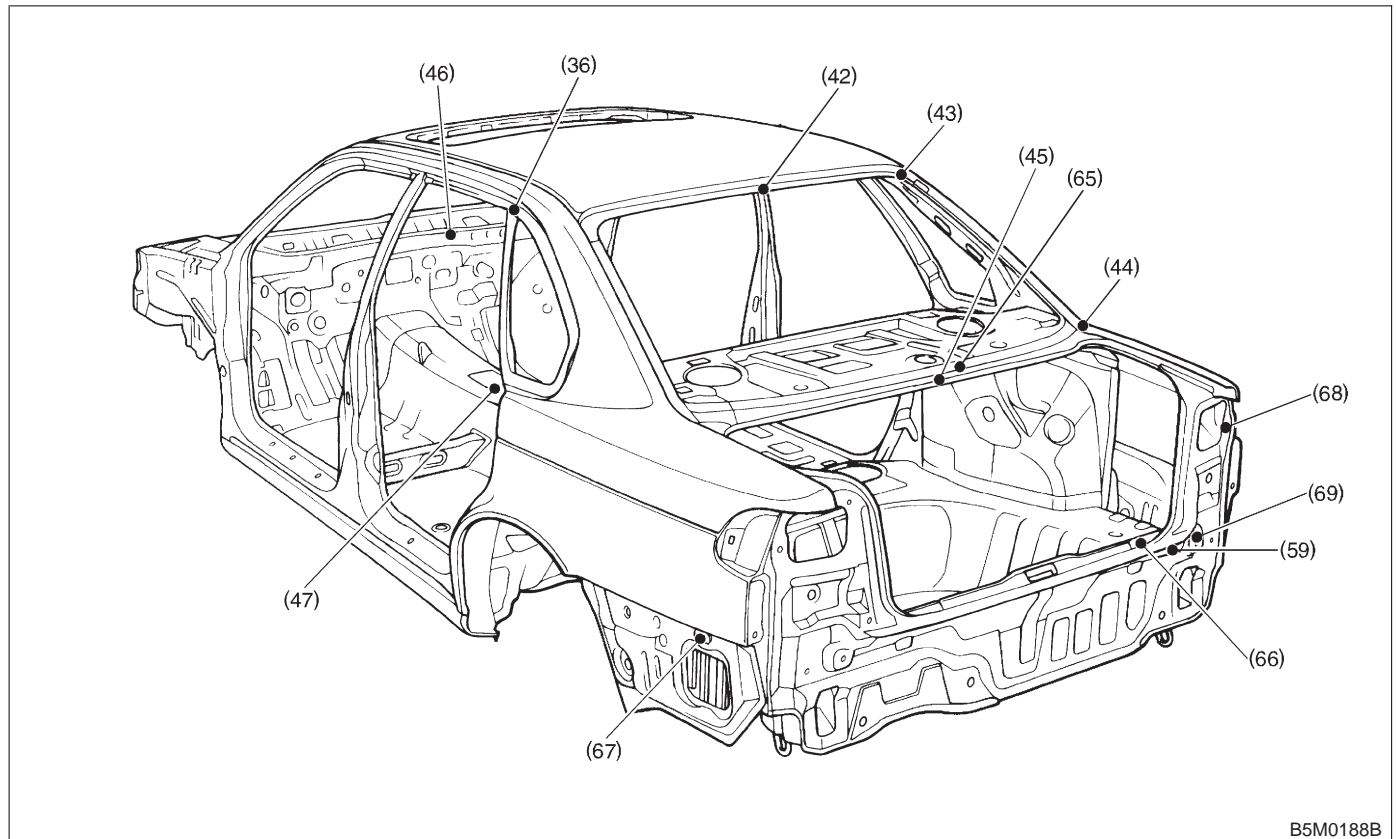
NOTE:

Left and right datum points are all symmetrical to each other.

- | | | |
|---|---|--|
| (33) Lower side of rear door hinge
M8 | (41) Stud bolt lower locating notch | (55) Trim upper attaching hole at 6
light 8 mm (0.31 in) dia. |
| (34) Center pillar (LWR) gauge hole
27 mm (1.06 in) dia. | (48) Front center of rear floor pan 8
mm (0.31 in) dia. | (56) Trim lower attaching hole at 6
light 8 mm (0.31 in) dia. |
| (35) Rear quarter outer corner patch
attaching hole 5.2 mm (0.205 in)
dia. | (51) Front upper pillar (Inner) 7 mm
(0.28 in) dia. | (58) Rear floor, near floor strut 15 ×
20 mm (0.59 × 0.79 in) dia.
oblong hole |
| (39) Front rail center notch | (52) Front seat belt adjust plate
attaching hole 12 mm (0.47 in)
dia. | |
| (40) Front glass upper locating notch
RH: 6.5 mm (0.256 in) dia., LH:
6.5 × 10 mm (0.256 × 0.39 in)
dia. oblong hole | (53) Rear door hinge middle hole 10
mm (0.39 in) dia. | |
| | (54) Rear floor, near door 8 mm (0.31
in) dia. | |

B: LUGGAGE COMPARTMENT AND ROOM

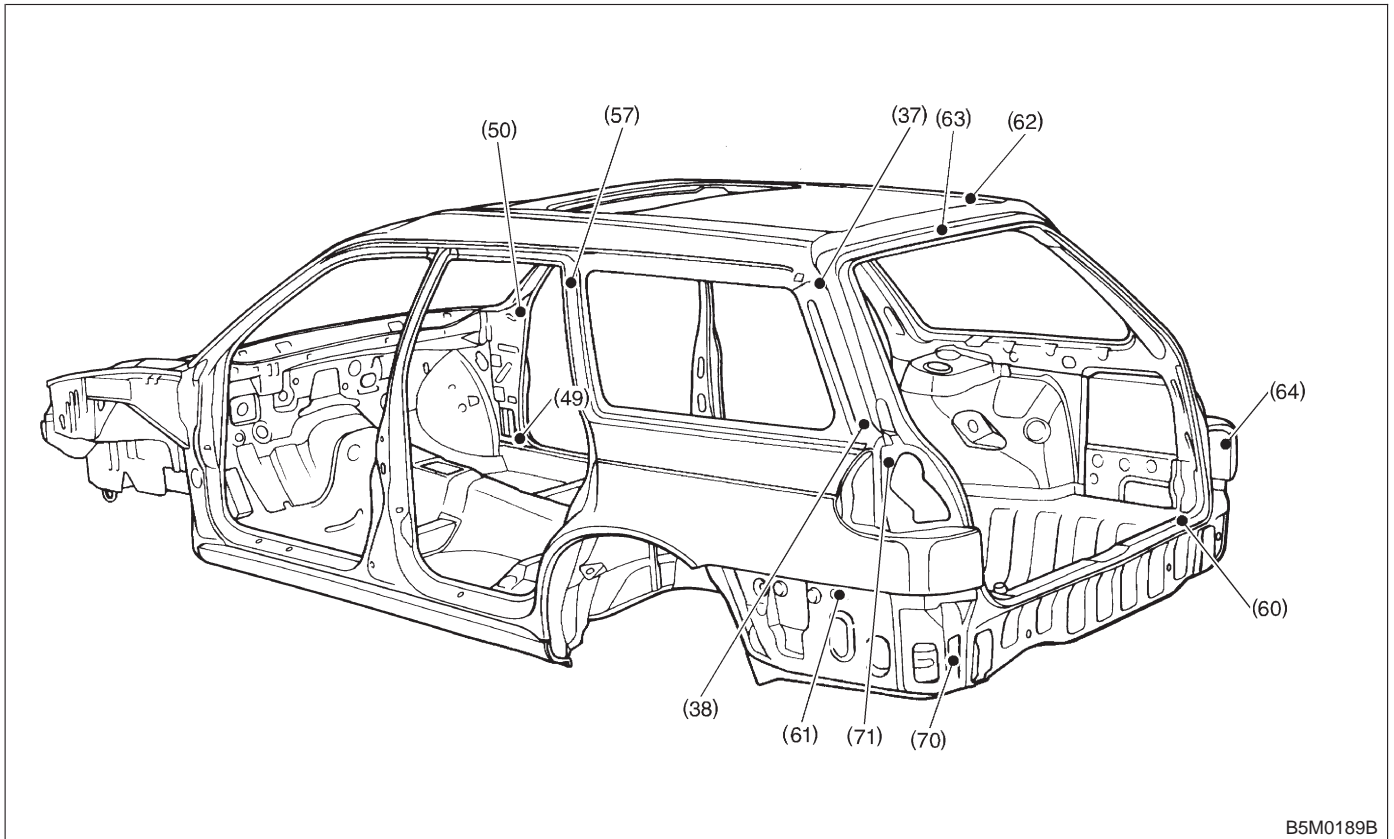
1. SEDAN



B5M0188B

- | | | |
|---|--|--|
| (36) 6 light upper retainer attaching
square hole 7 × 7 mm (0.28 ×
0.28 in) | (45) Rear panel drain locator concave
part | (67) Rear bumper side attaching hole
6 mm (0.24 in) dia. |
| (42) Rear rail center notch | (46) Front panel gauge hole 10 mm
(0.39 in) dia. | (68) Rear combination light mounting
hole 8 mm (0.31 in) dia. |
| (43) Rear glass upper locating hole
RH: 6.5 mm (0.256 in) dia., LH:
6.5 × 10 mm (0.256 × 0.39 in)
dia. oblong hole | (47) Tunnel center M8 | (69) Rear bumper beam attaching
hole RH: 8 mm (0.31 in) dia.,
LH: 8 × 12 mm (0.31 × 0.47 in)
dia. oblong hole |
| (44) Rear glass molding attaching
square hole 8 × 8 mm (0.31 ×
0.31 in) | (51) Front upper pillar 7 mm
(0.28 in) dia. | |
| | (52) Front seat belt adjust plate
attaching hole 12 mm (0.47 in)
dia. | |
| | (53) Rear door hinge middle hole 10
mm (0.39 in) dia. | |
| | (54) Rear floor, near door 8 mm (0.31
in) dia. | |
| | (55) Trim upper attaching hole at 6
light 8 mm (0.31 in) dia. | |
| | (56) Trim lower attaching hole at 6
light 8 mm (0.31 in) dia. | |
| | (58) Rear floor, near floor strut 15 ×
20 mm (0.59 × 0.79 in) dia.
oblong hole | |

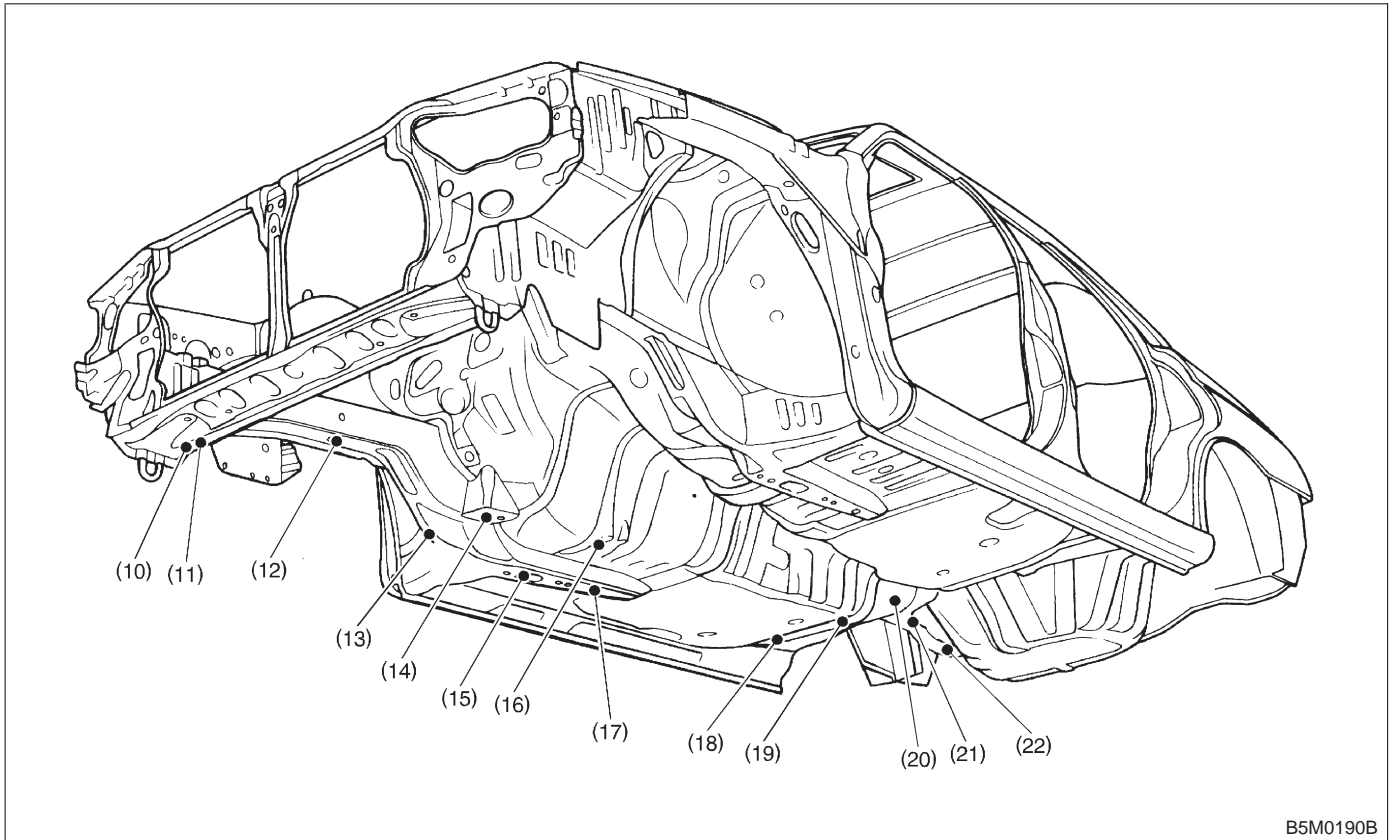
2. WAGON



B5M0189B

- | | | |
|---|---|---|
| (37) D pillar cover attaching hole 12 × 8 mm (0.47 × 0.31 in) dia. | (57) Retainer attaching square hole at C pillar (UPR) 7 × 7 mm (0.28 × 0.28 in) | (64) Buffer attaching hole (UPR) M6 |
| (38) Shoulder mole attaching hole 8 mm (0.31 in) dia. | (60) Trim attaching hole at rear skirt (UPR) 15 mm (0.59 in) dia. | (70) Rear quarter end (LWR) gauge hole 20 mm (0.79 in) dia. |
| (49) Front pillar (LWR) gauge hole 10 mm (0.39 in) dia. (On both Sedan and Wagon) | (61) Rear bumper side attaching hole 6 mm (0.24 in) dia. | (71) Rear combination light mounting hole 7 mm (0.28 in) dia. |
| (50) Front pillar (UPR) gauge hole 16 mm (0.63 in) dia. (On both Sedan and Wagon) | (62) Rear seat belt bolt hole 13 mm (0.51 in) dia. | |
| | (63) Rear rail locator concave part | |

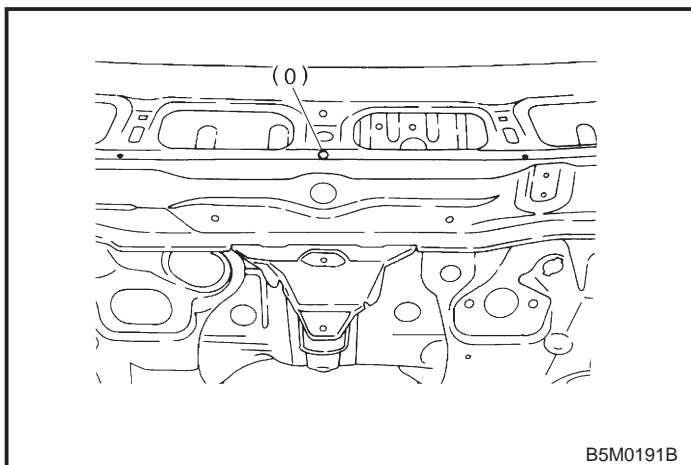
C: UNDERBODY



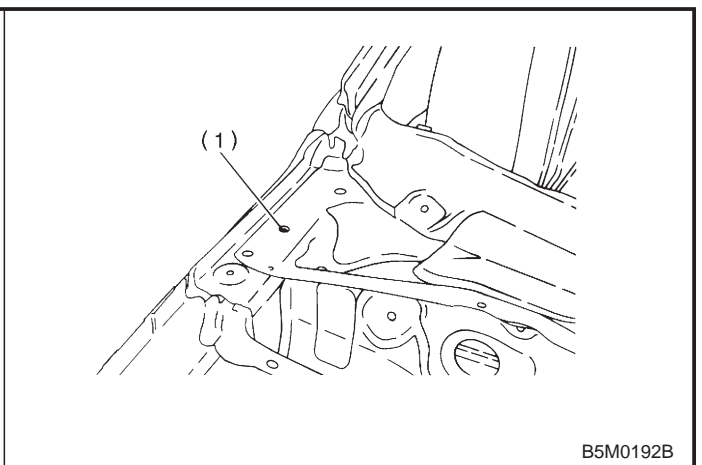
B5M0190B

- | | | |
|---|--|--|
| (10) Radiator panel (LWR) frame gauge hole 10 mm (0.39 in) dia. | (15) Front side frame rear lower center surface 20 mm (0.79 in) dia. | (20) Rear crossmember attaching hole M12 |
| (11) Front side frame front lower surface 20 mm (0.79 in) dia. | (16) Transmission mount attaching hole M10 | (21) Rear frame center hole 7 mm (0.28 in) dia. |
| (12) Front side frame center lower surface 20 mm (0.79 in) dia. | (17) Front side frame rear lower surface 15 mm (0.59 in) dia. | (22) Rear frame rear concave part 15 mm (0.59 in) dia. |
| (13) Front suspension attaching hole M14 | (18) Rear frame front M12 | |
| (14) Suspension attaching bracket M14 | (19) Rear frame front hole 25 mm (0.98 in) dia. | |

D: DATUM POINT LOCATION



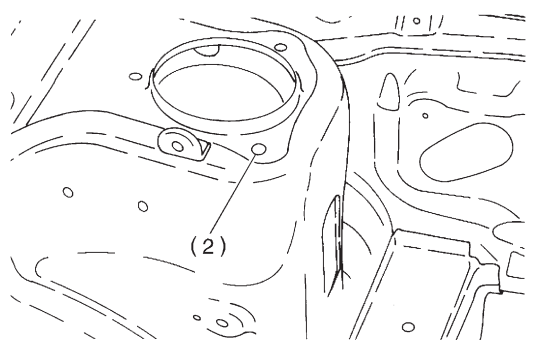
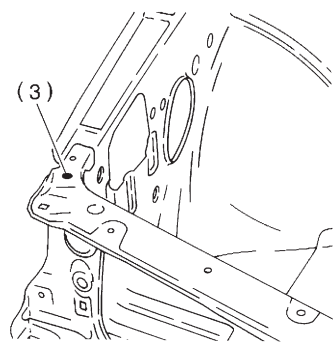
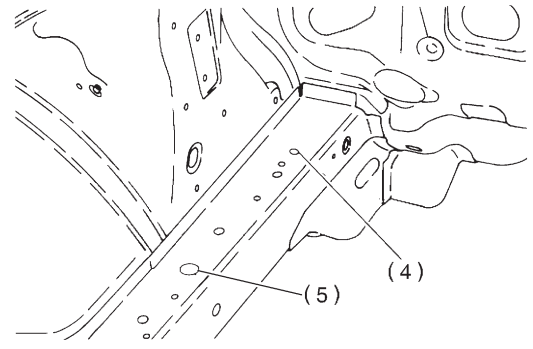
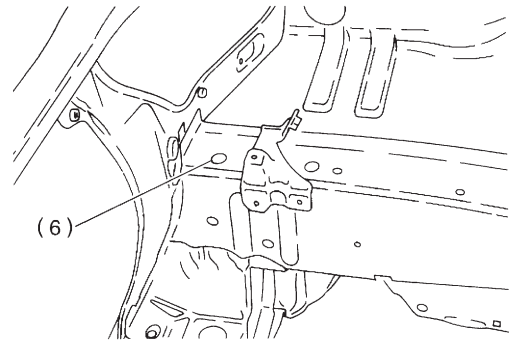
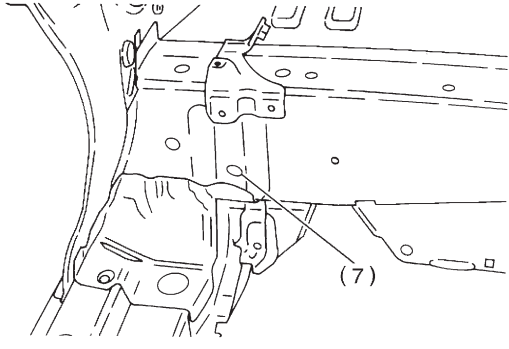
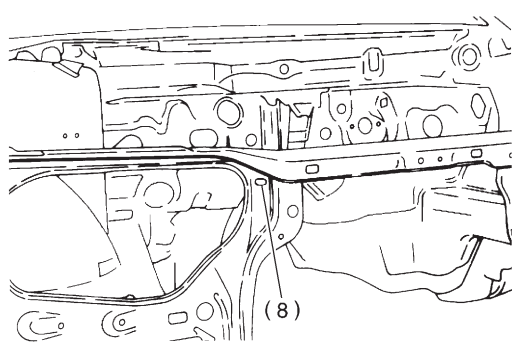
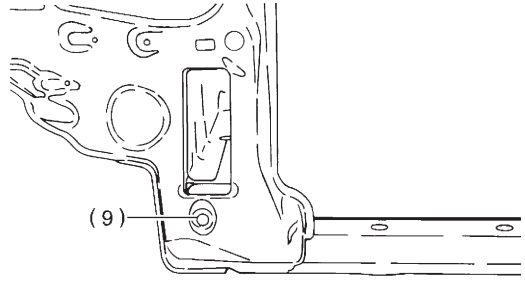
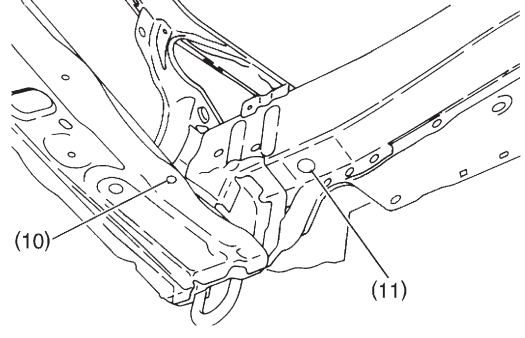
B5M0191B



B5M0192B

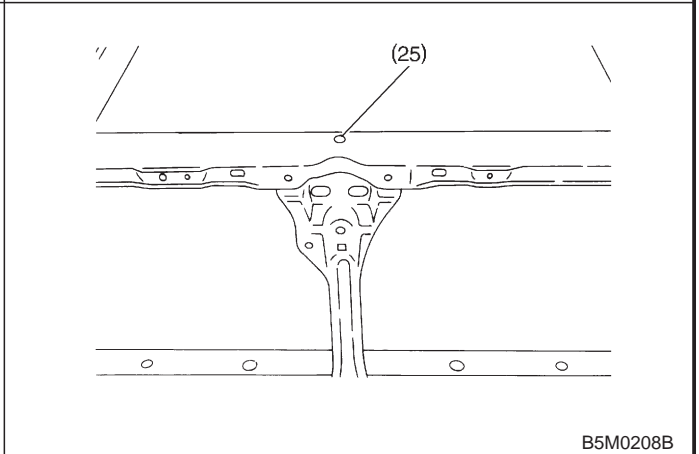
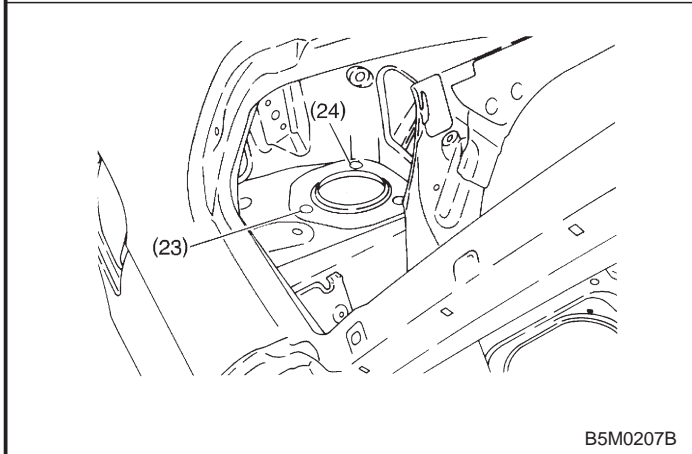
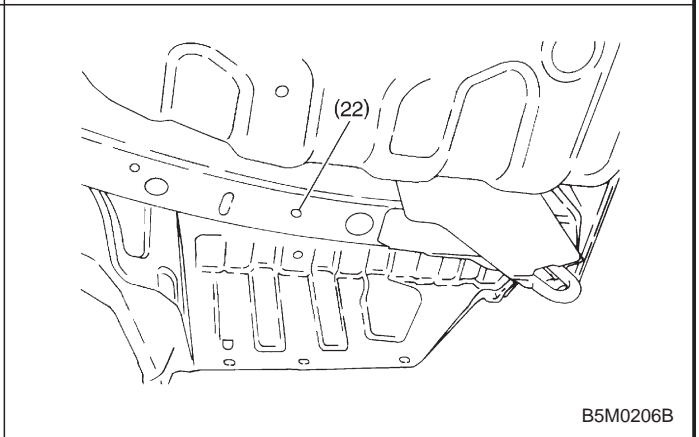
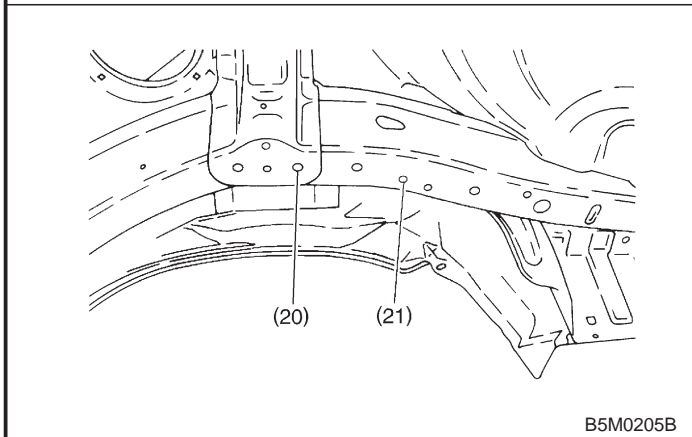
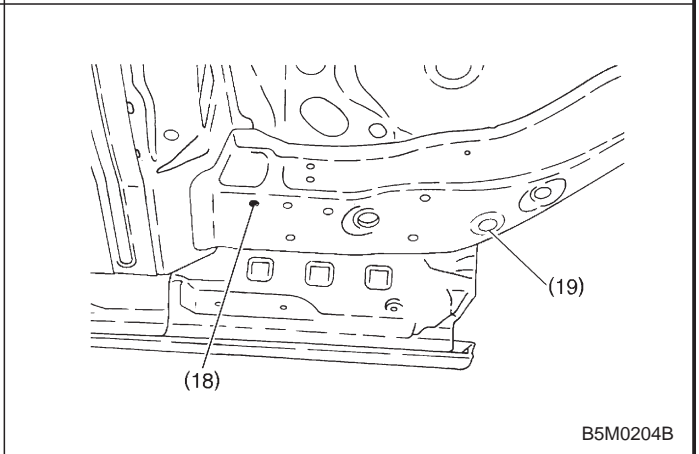
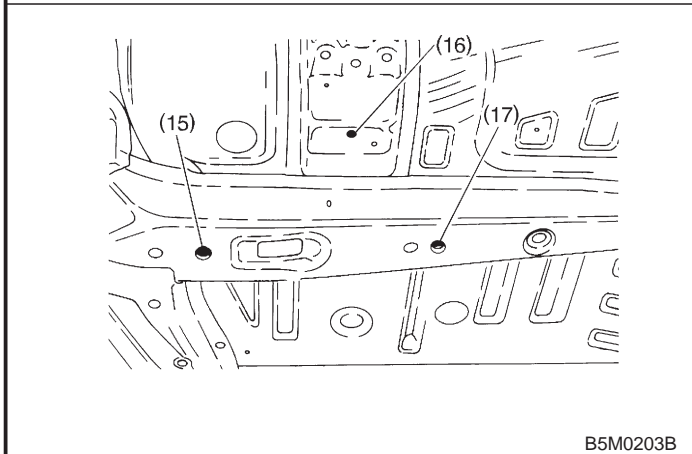
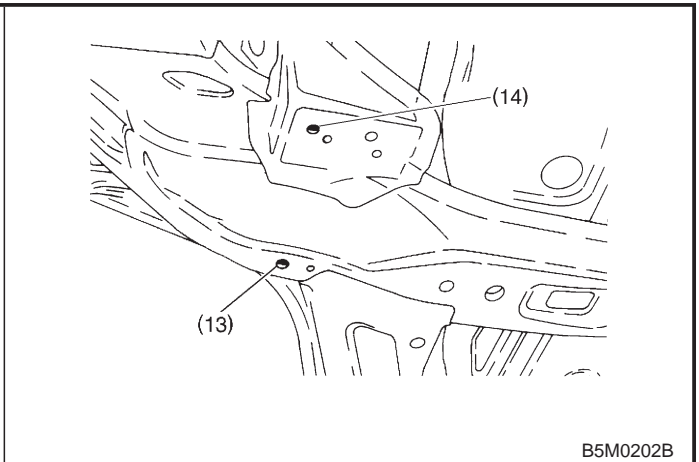
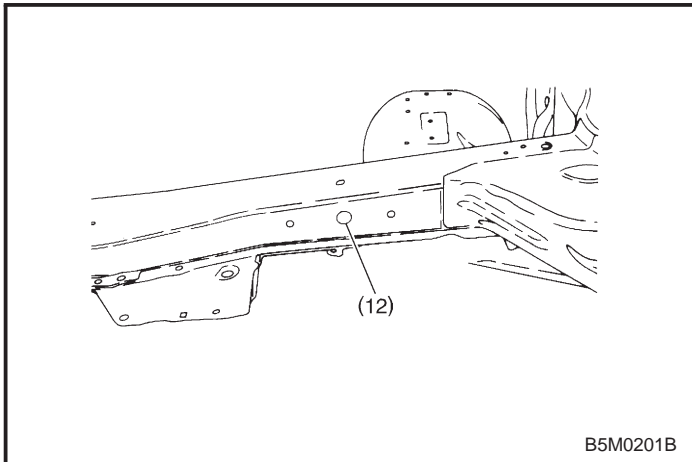
5-1 [S2D0]
2. Body Datum Points

SPECIFICATIONS AND SERVICE DATA

 <p>(2)</p>	 <p>(3)</p>
 <p>(4) (5)</p>	 <p>(6)</p>
 <p>(7)</p>	 <p>(8)</p>
 <p>(9)</p>	 <p>(10) (11)</p>

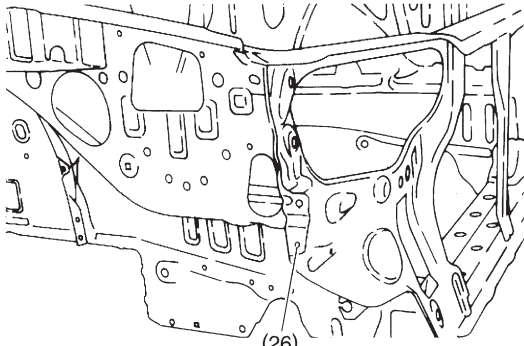
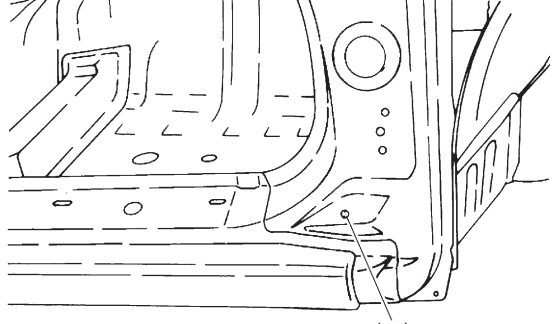

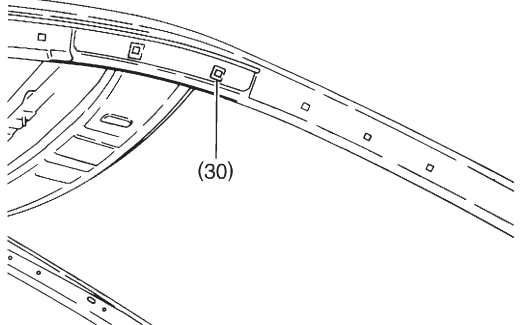
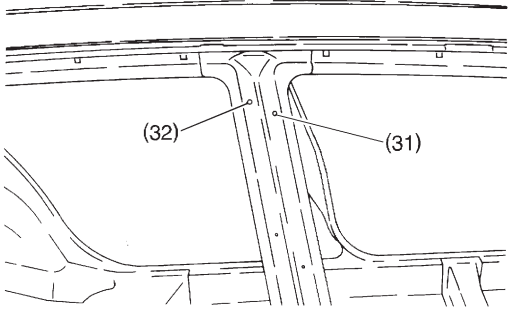
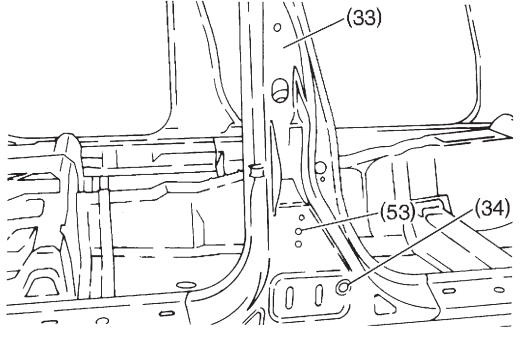
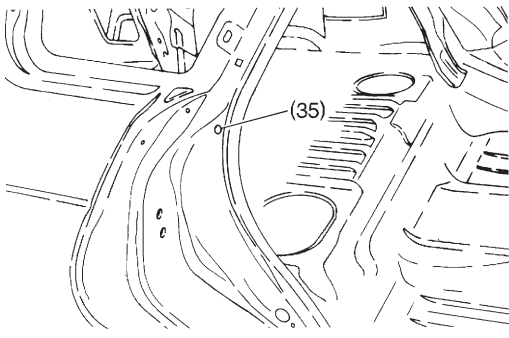
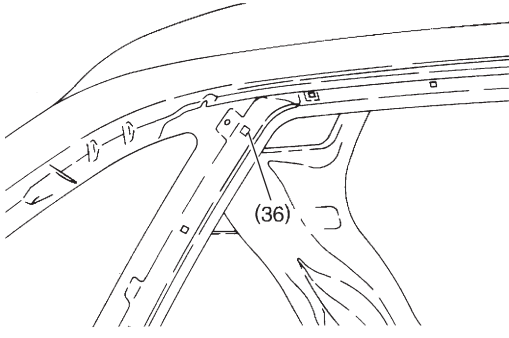
SPECIFICATIONS AND SERVICE DATA

[S2D0] 5-1
2. Body Datum Points



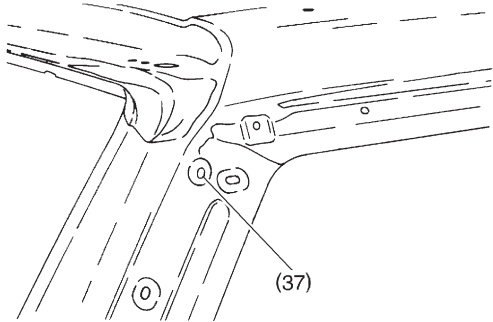
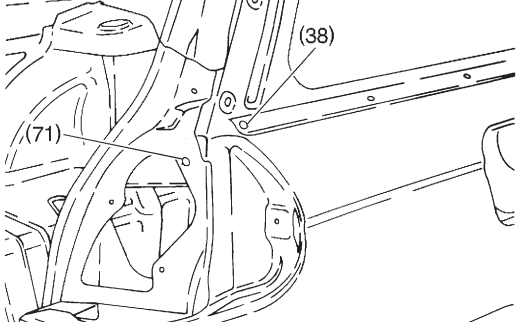
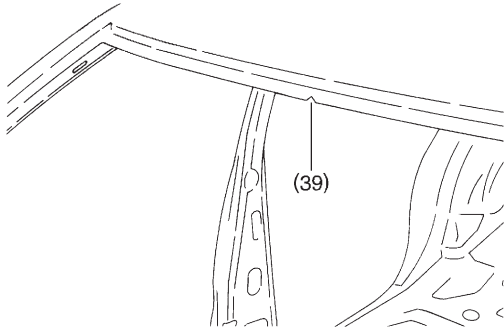

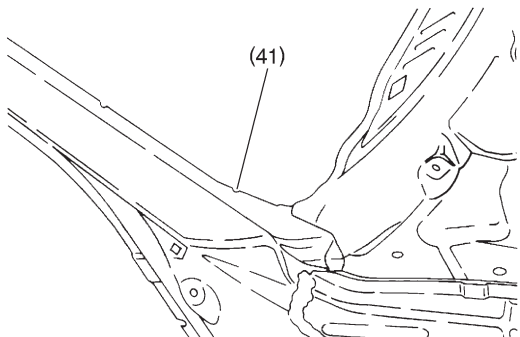
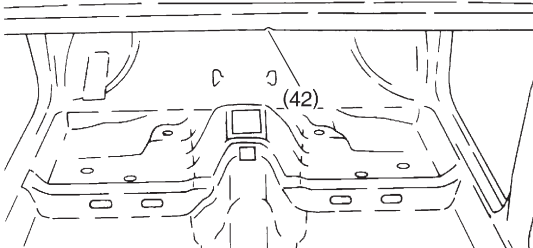
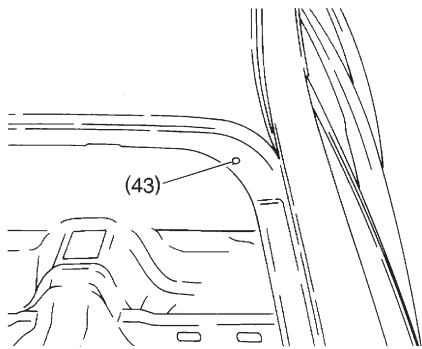
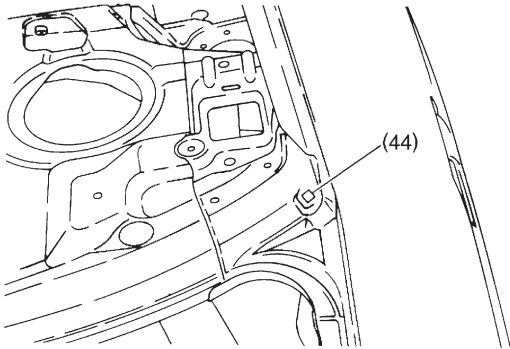
5-1 [S2D0]
2. Body Datum Points

SPECIFICATIONS AND SERVICE DATA

 <p>(26)</p> <p>B5M0209B</p>	 <p>(27)</p> <p>B5M0210B</p>
 <p>(29)</p> <p>(28)</p> <p>B5M0211B</p>	 <p>(30)</p> <p>B5M0212B</p>
 <p>(32)</p> <p>(31)</p> <p>B5M0213B</p>	 <p>(33)</p> <p>(53)</p> <p>(34)</p> <p>B5M0214B</p>
 <p>(35)</p> <p>B5M0215B</p>	 <p>(36)</p> <p>B5M0216B</p>

SPECIFICATIONS AND SERVICE DATA

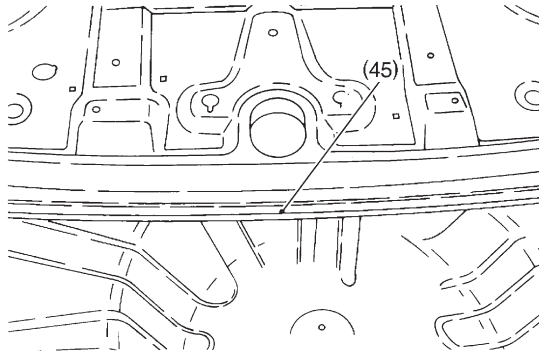
[S2D0] 5-1
2. Body Datum Points

 <p>B5M0217B</p>	 <p>B5M0218B</p>
 <p>B5M0219B</p>	 <p>B5M0220B</p>
 <p>B5M0221B</p>	 <p>B5M0222B</p>
 <p>B5M0223B</p>	 <p>B5M0224B</p>

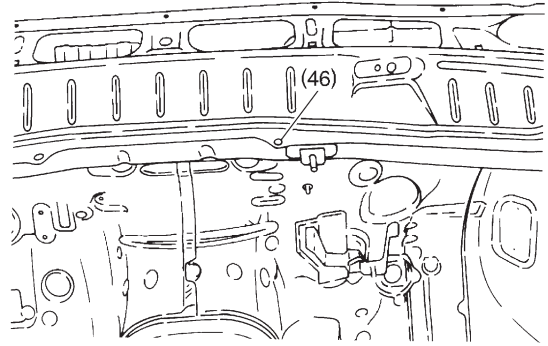
5-1 [S2D0]

2. Body Datum Points

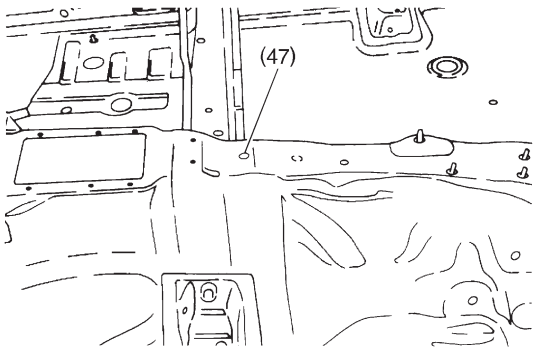
SPECIFICATIONS AND SERVICE DATA



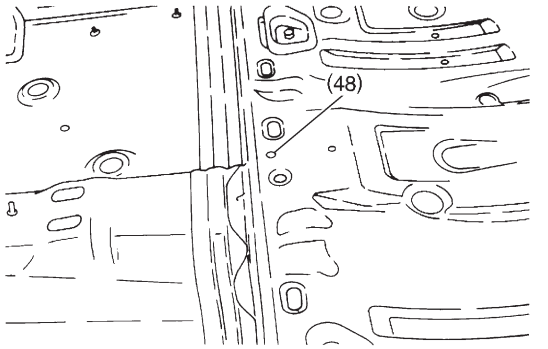
B5M0225B



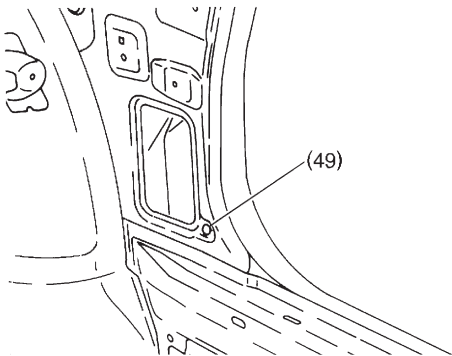
B5M0226B



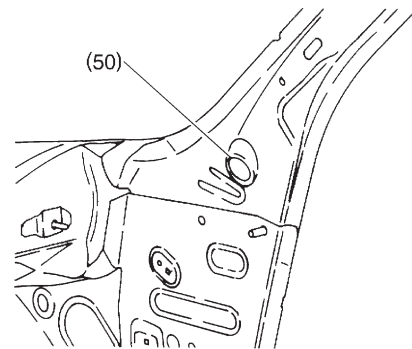
B5M0227B



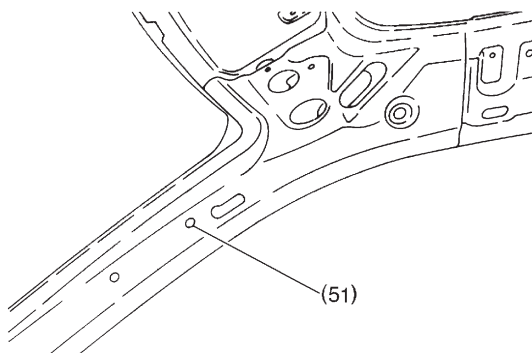
B5M0228B



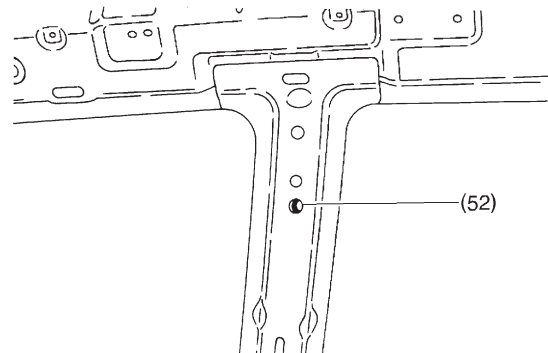
B5M0229B



B5M0230B



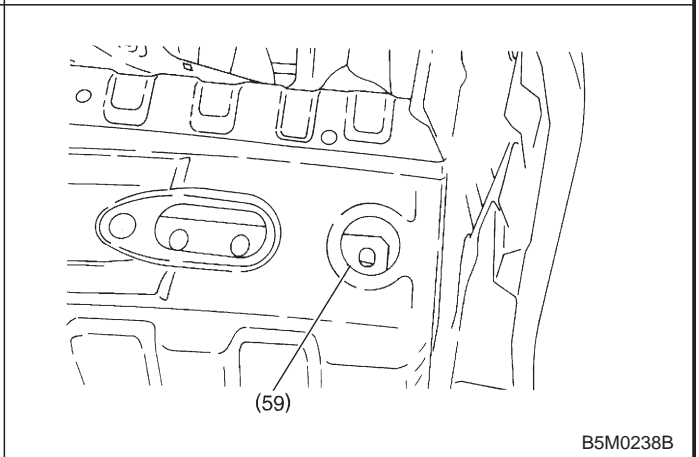
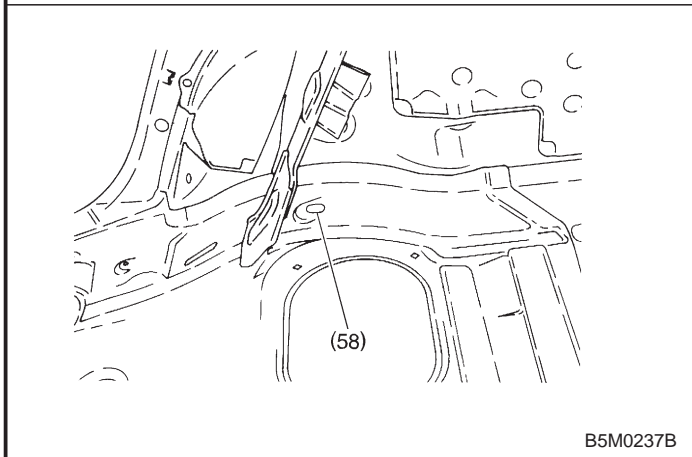
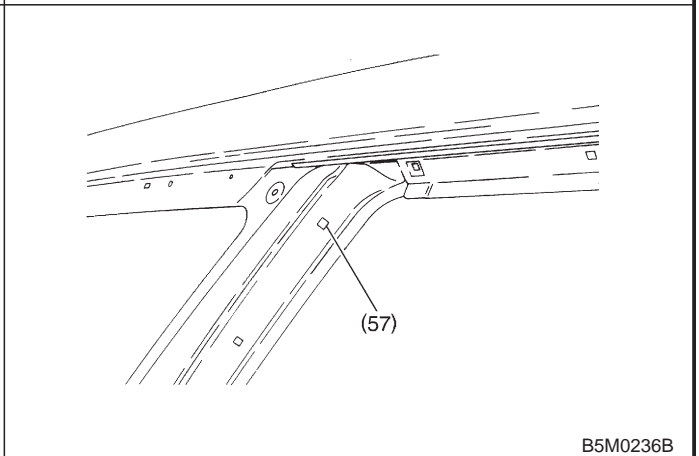
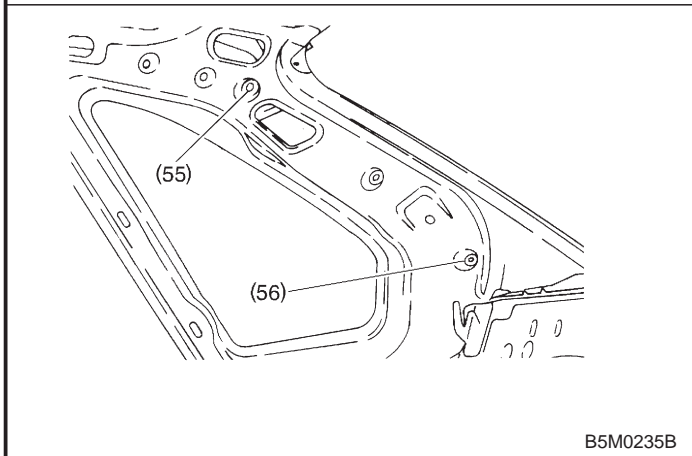
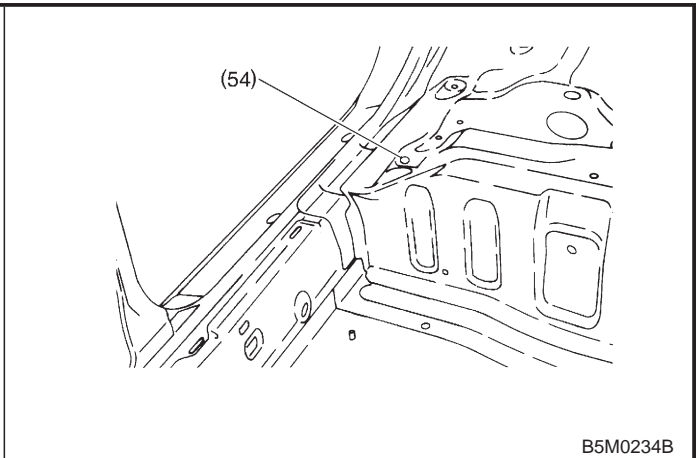
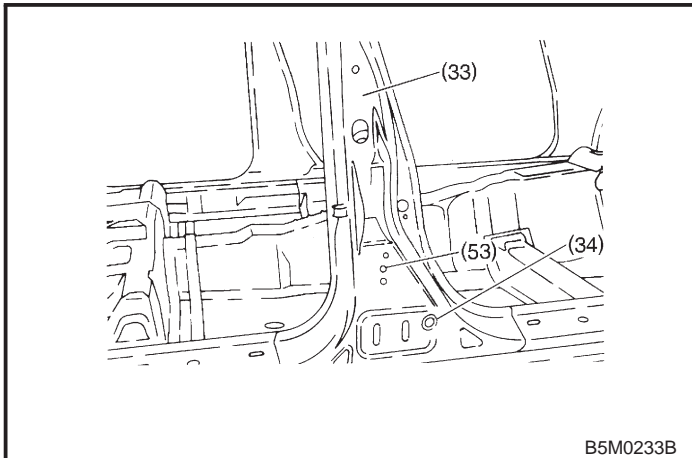
B5M0231B



B5M0232B

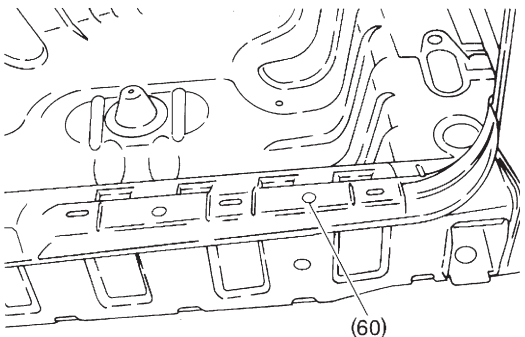
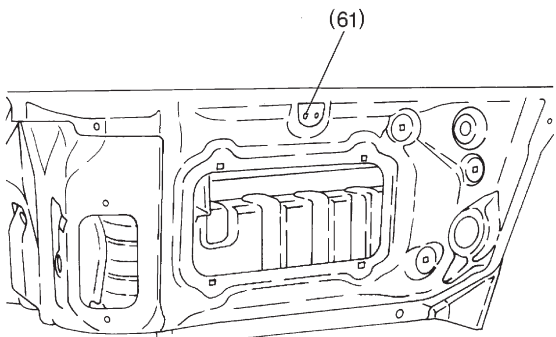
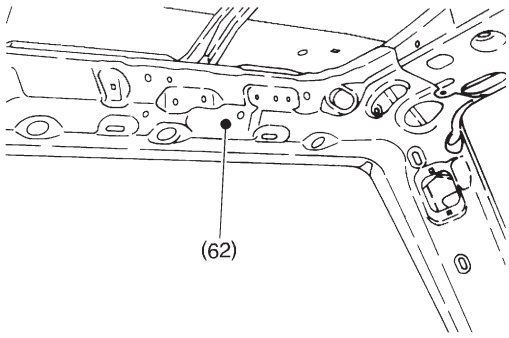
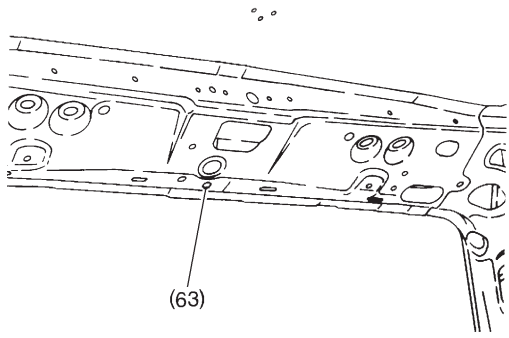
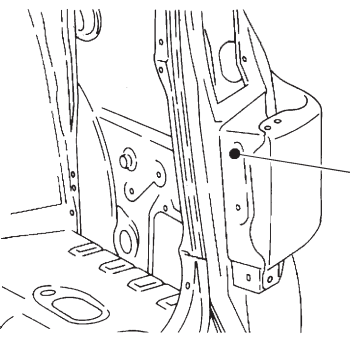
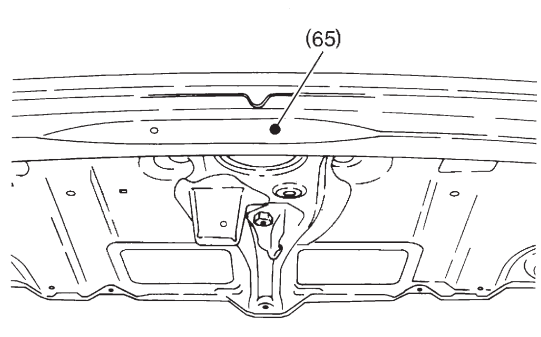
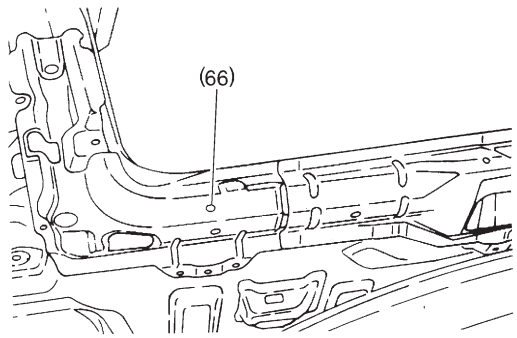
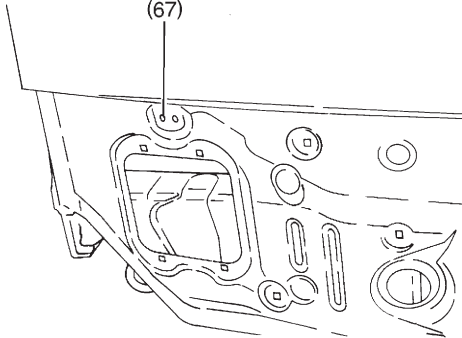
SPECIFICATIONS AND SERVICE DATA

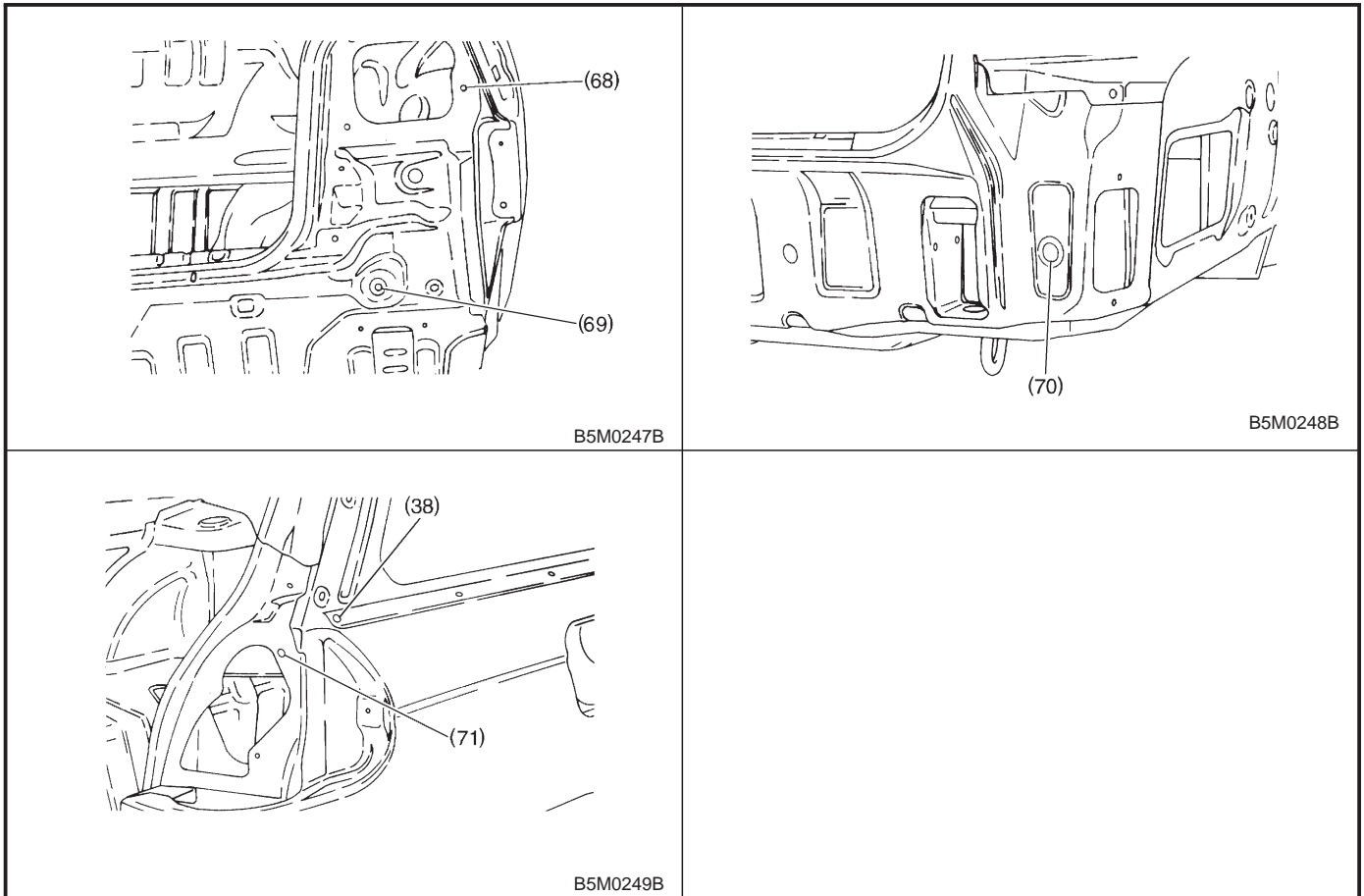
[S2D0] 5-1
2. Body Datum Points



5-1 [S2D0]
2. Body Datum Points

SPECIFICATIONS AND SERVICE DATA

 <p>(60)</p> <p>B5M0239B</p>	 <p>(61)</p> <p>B5M0240B</p>
 <p>(62)</p> <p>B5M0241B</p>	 <p>(63)</p> <p>B5M0242B</p>
 <p>(64)</p> <p>B5M0243B</p>	 <p>(65)</p> <p>B5M0244B</p>
 <p>(66)</p> <p>B5M0245B</p>	 <p>(67)</p> <p>B5M0246B</p>



3. Datum Dimensions

Use a tram tracking gauge to measure all dimensions. If a measuring tape is used, be extremely careful because it tends to deflect or twist, which results in a false reading.

NOTE:

- A suffix character “R” or “L” refers to the right or the left.
- All dimensions refer to the distance between the centers of holes measured in a straight line.
- Each dimension indicates a projected dimension between hole centers.

