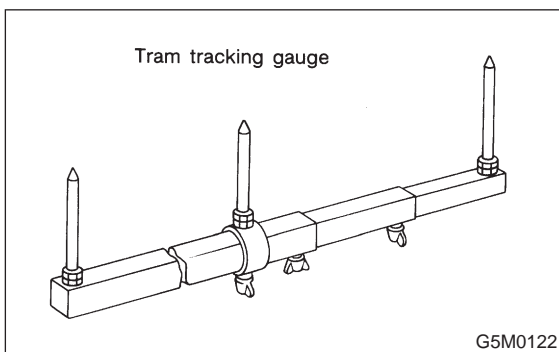


### 3. Datum Dimensions

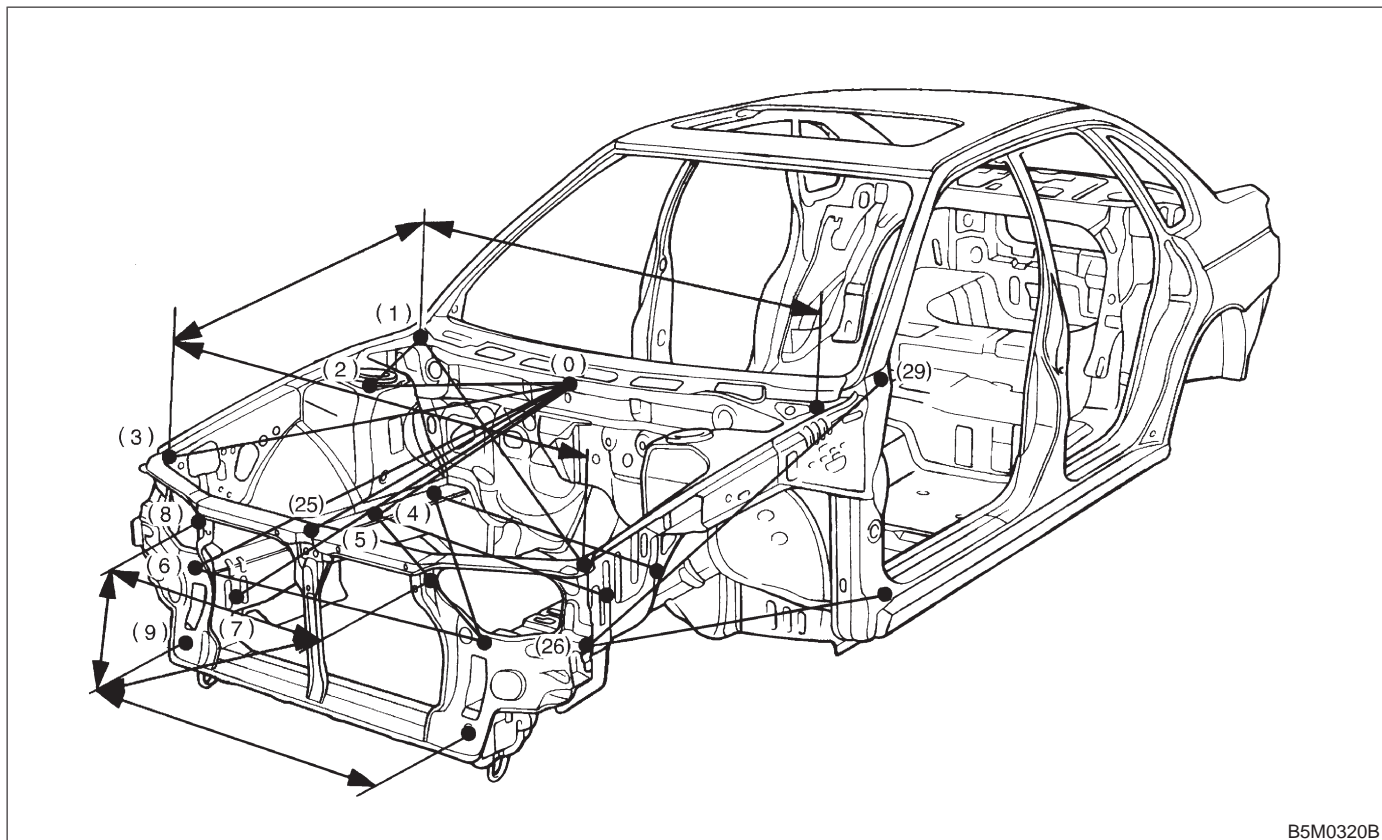
Use a tram tracking gauge to measure all dimensions. If a measuring tape is used, be extremely careful because it tends to deflect or twist, which results in a false reading.

**NOTE:**

- A suffix character “R” or “L” refers to the right or the left.
- All dimensions refer to the distance between the centers of holes measured in a straight line.
- Each dimension indicates a projected dimension between hole centers.



## A: FRONT STRUCTURE

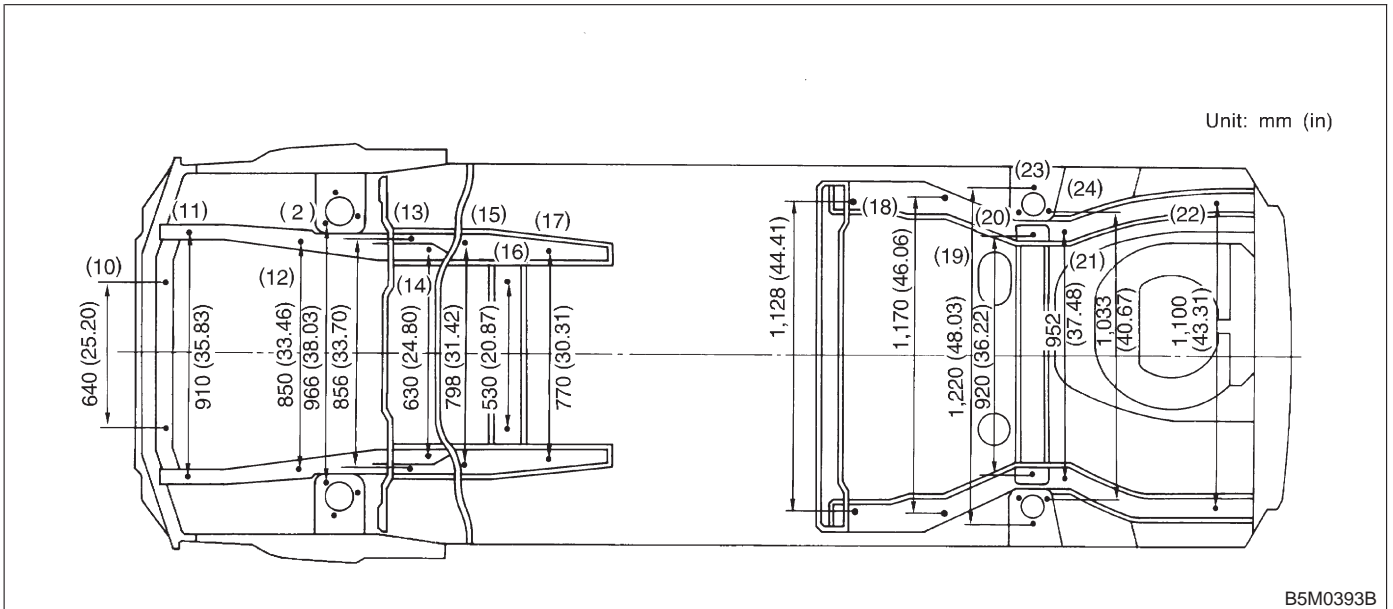
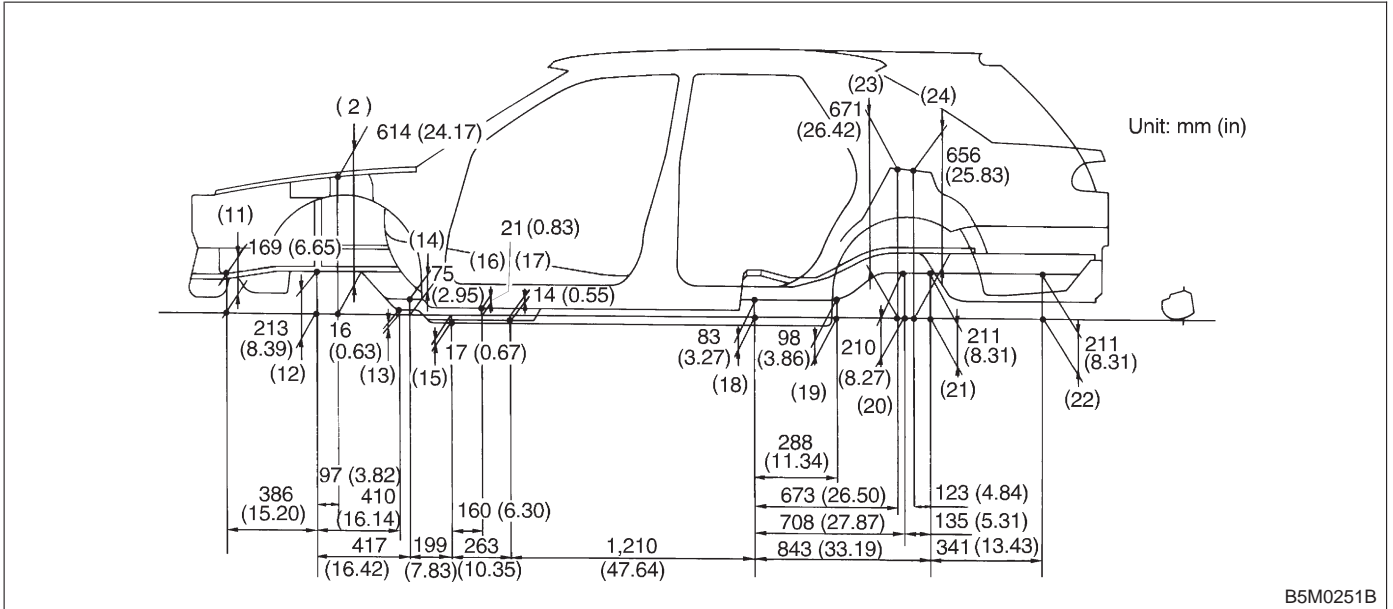


B5M0320B

Point to point	Dimension	Point to point	Dimension
(0) to (2) RH	522 (20.55)	(1) RH to (3) RH	845 (33.27)
(0) to (2) LH	522 (20.55)	(1) LH to (3) LH	845 (33.27)
(0) to (6) RH	980 (38.58)	(8) RH to (8) RH	347 (13.66)
(0) to (6) LH	980 (38.58)	(8) LH to (8) LH	347 (13.66)
(0) to (7) RH	966 (38.03)	(1) RH to (1) LH	1,408 (55.43)
(0) to (7) LH	966 (38.03)	(1) RH to (3) LH	1,623 (63.90)
(0) to (3) RH	1,008 (39.68)	(3) RH to (1) LH	1,623 (63.90)
(0) to (3) LH	1,008 (39.68)	(3) RH to (3) LH	1,364 (53.70)
(0) to (25)	863 (33.98)	(4) RH to (4) LH	803 (31.61)
(1) RH to (2) RH	373 (14.69)	(9) RH to (9) LH	924 (36.38)
(1) LH to (2) LH	373 (14.69)	(9) RH to (8) LH	892 (35.12)
(2) RH to (2) LH	966 (38.03)	(8) RH to (9) LH	892 (35.12)
(5) RH to (5) LH	850 (33.46)	(8) RH to (8) LH	730 (28.74)
(5) RH to (6) LH	1,011 (39.80)	(26) RH to (29) LH	1,191 (46.89)
(6) RH to (5) LH	1,011 (39.80)	(26) LH to (29) RH	1,191 (46.89)
(6) RH to (6) LH	914 (35.98)	(26) RH to (27) LH	1,144 (45.04)
(4) RH to (6) LH	1,115 (43.90)	(26) LH to (27) RH	1,144 (45.04)
(6) RH to (4) LH	1,115 (43.90)		

Unit: mm (in)

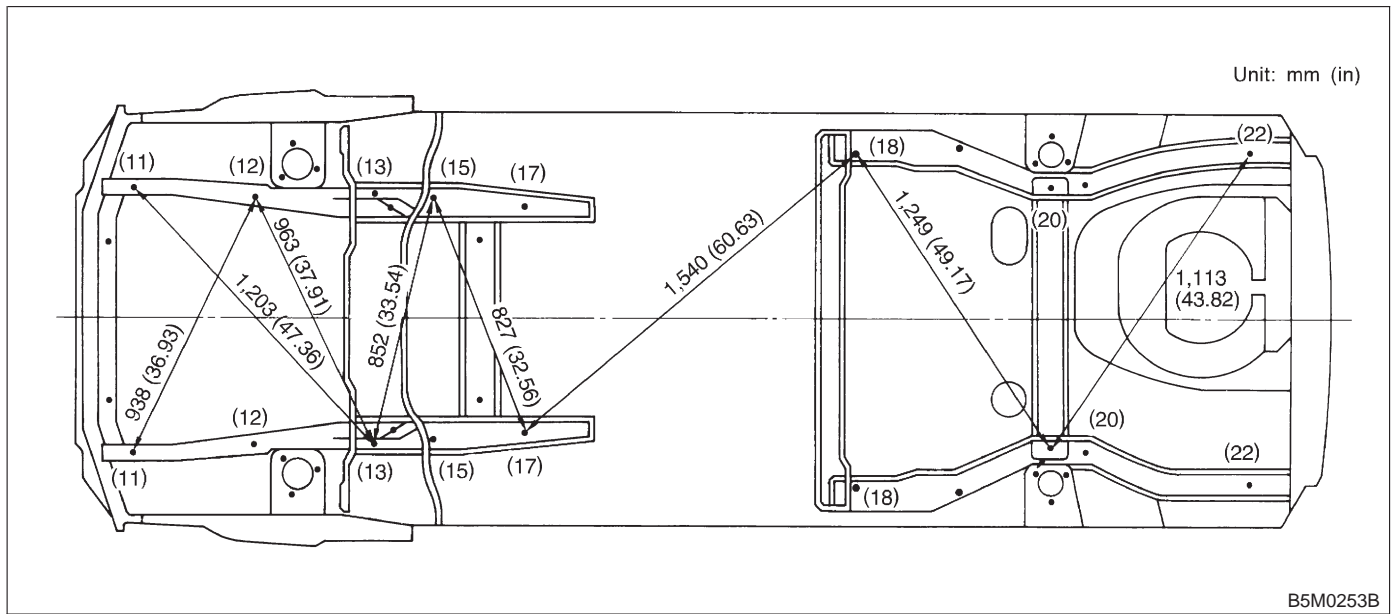
B: CENTER STRUCTURE



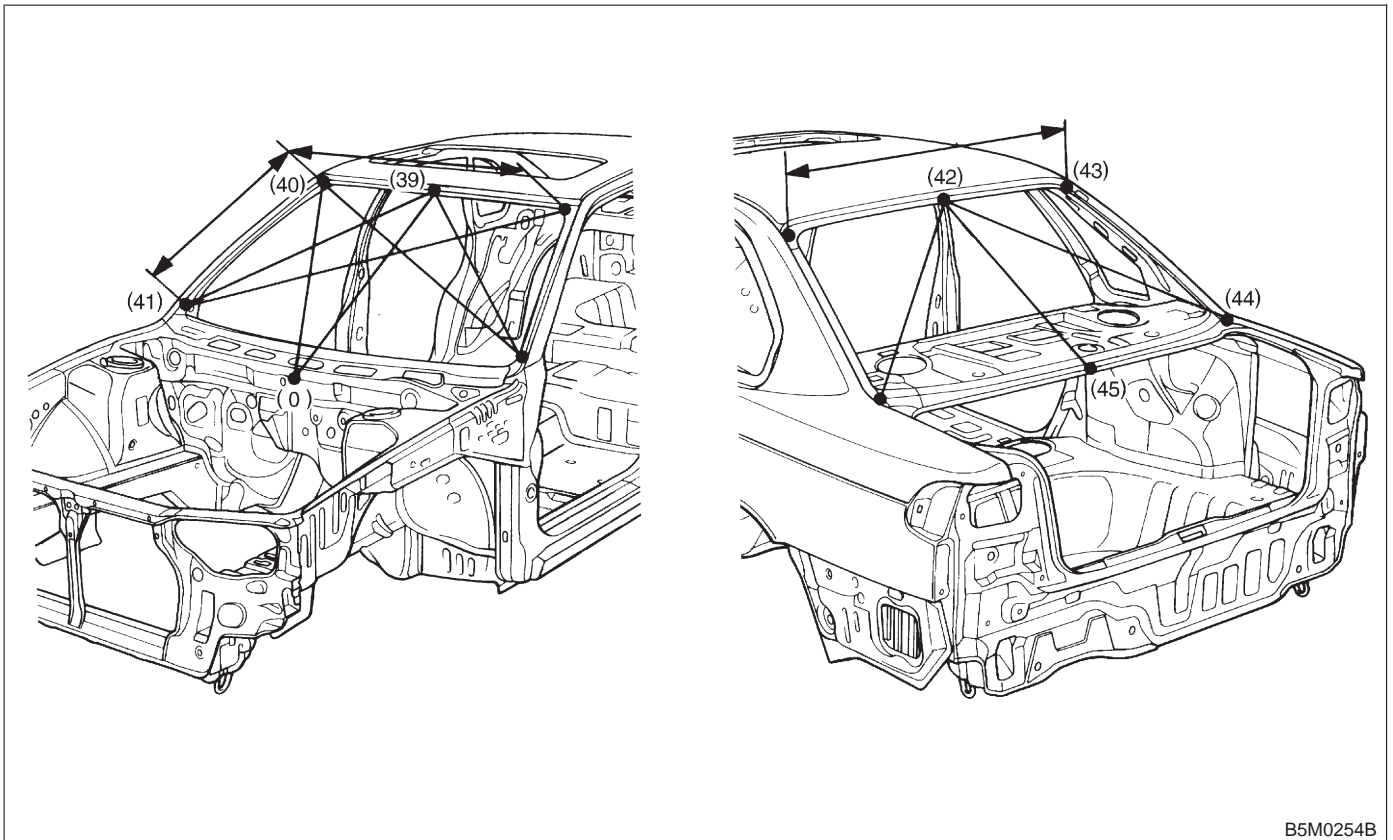
# 5-1 [S3B0]

## 3. Datum Dimensions

# SPECIFICATIONS AND SERVICE DATA



C: FRONT WINDSHIELD AND REAR WINDOW

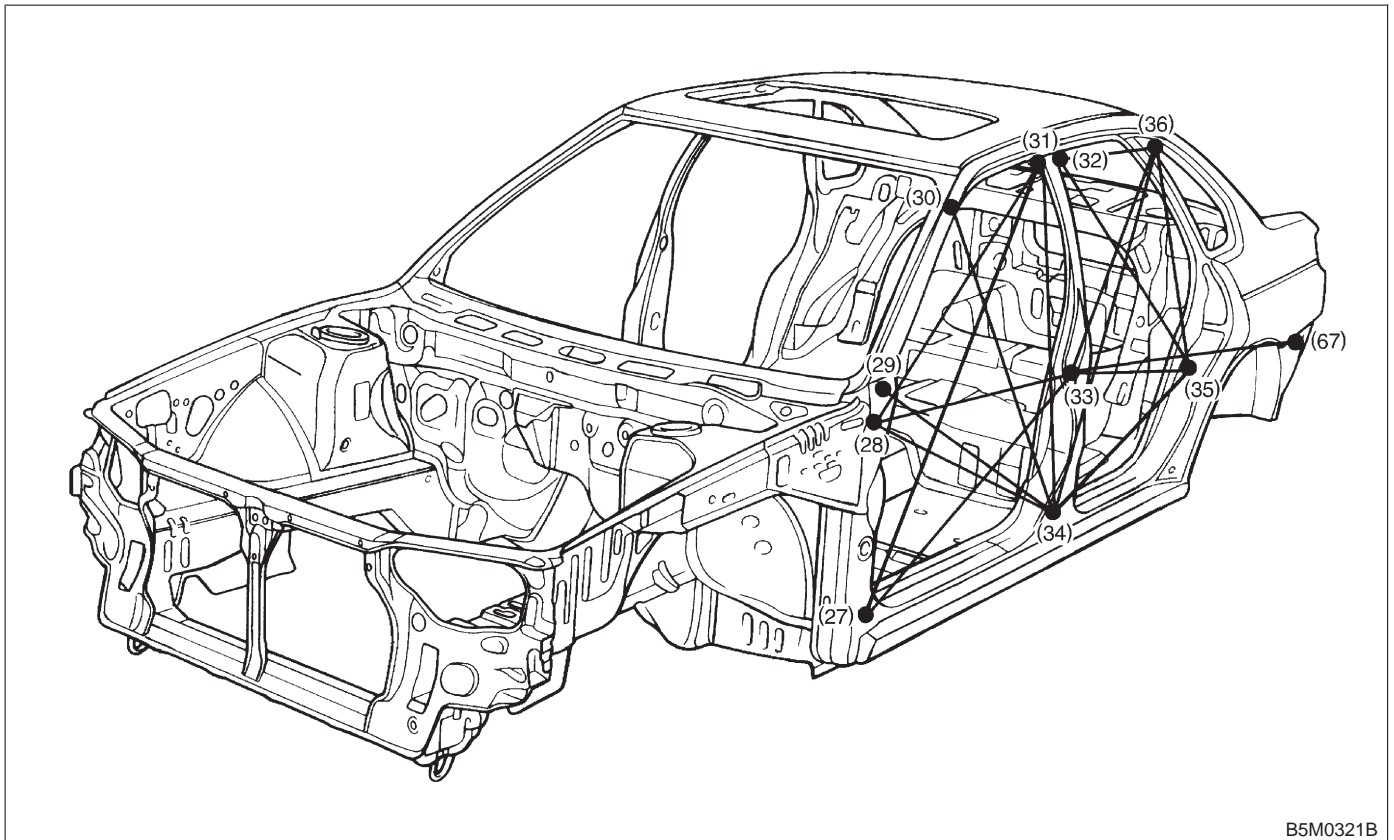


B5M0254B

Point to point	Dimension	Point to point	Dimension
(0) to (39)	934 (36.77)	(40) RH to (41) RH	700 (27.56)
(0) to (40) RH	1,133 (44.61)	(40) LH to (41) LH	700 (27.56)
(0) to (40) LH	1,133 (44.61)	(41) RH to (41) LH	1,396 (54.96)
(39) to (41) RH	940 (37.01)	(42) to (44) RH	871 (34.29)
(39) to (41) LH	940 (37.01)	(42) to (44) LH	871 (34.29)
(40) RH to (40) LH	1,076 (42.36)	(42) to (45)	760 (29.92)
(40) RH to (41) LH	1,411 (55.55)	(43) RH to (43) LH	986 (38.82)
(41) RH to (40) LH	1,411 (55.55)	(44) RH to (44) LH	1,216 (47.87)

Unit: mm (in)

D: DOORS

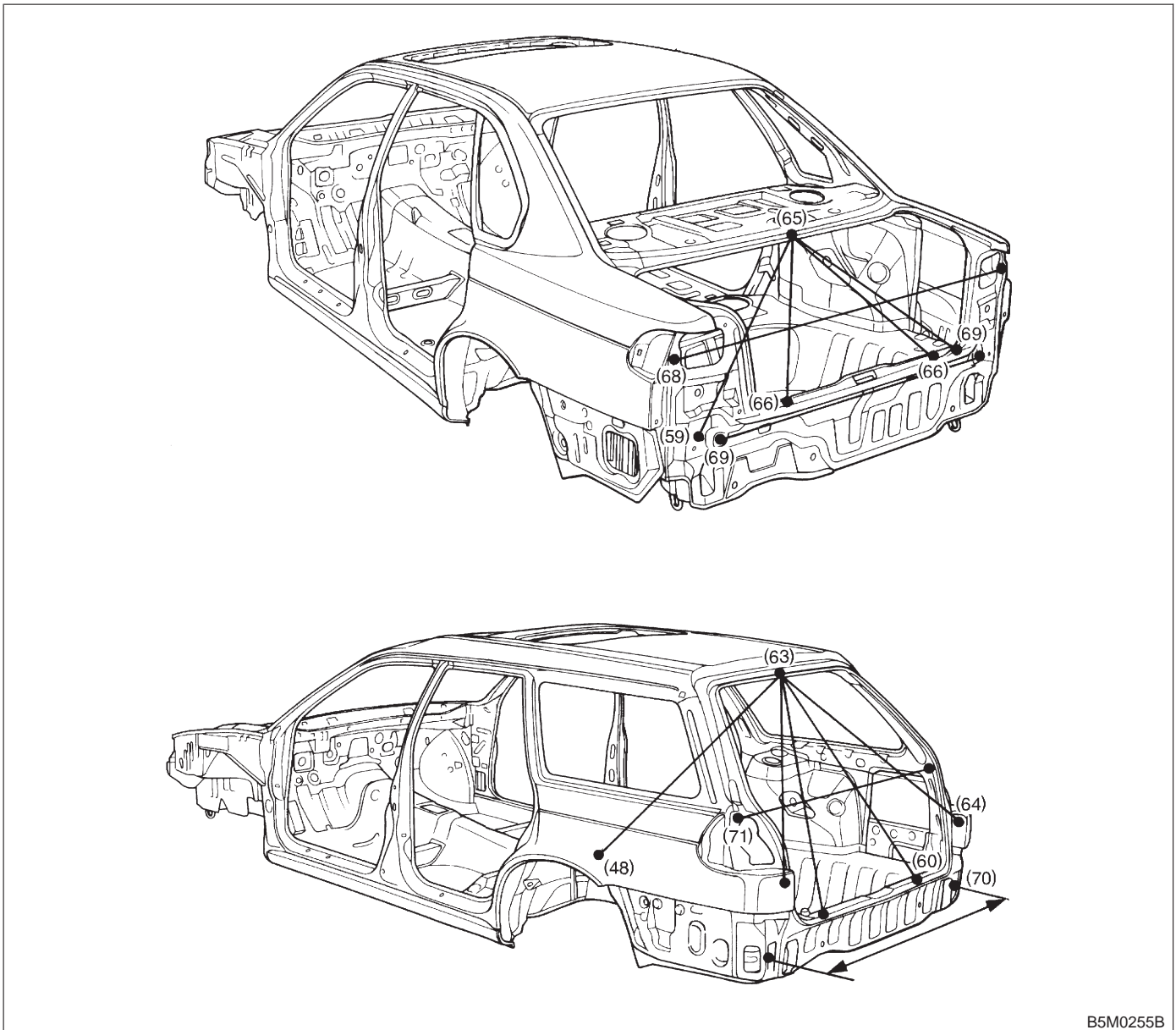


B5M0321B

Point to point	Dimension	Point to point	Dimension
(27) RH to (31) RH	1,445 (56.89)	(30) LH to (34) LH	974 (38.35)
(27) LH to (31) LH	1,445 (56.89)	(31) RH to (34) RH	931 (36.65)
(27) RH to (33) RH	1,087 (42.80)	(31) LH to (34) LH	931 (36.65)
(27) LH to (33) LH	1,087 (42.80)	(34) RH to (35) RH	1,101 (43.35)
(27) RH to (34) RH	921 (36.26)	(34) LH to (35) LH	1,101 (43.35)
(27) LH to (34) LH	921 (36.26)	(34) RH to (36) RH	1,193 (46.97)
(28) RH to (31) RH	1,246 (49.06)	(34) LH to (36) LH	1,193 (46.97)
(28) LH to (31) LH	1,246 (49.06)	(32) RH to (35) RH	870 (34.25)
(28) RH to (33) RH	1,043 (41.06)	(32) LH to (35) LH	870 (34.25)
(28) LH to (33) LH	1,043 (41.06)	(33) RH to (35) RH	891 (35.08)
(28) RH to (34) RH	1,029 (40.51)	(33) LH to (35) LH	891 (35.08)
(28) LH to (34) LH	1,029 (40.51)	(35) RH to (36) RH	471 (18.54)
(29) RH to (34) RH	1,020 (40.16)	(35) LH to (36) LH	471 (18.54)
(29) LH to (34) LH	1,020 (40.16)	(33) RH to (67) RH	1,773 (69.80)
(30) RH to (34) RH	974 (38.35)	(33) LH to (67) LH	1,773 (69.80)

Unit: mm (in)

E: TRUNK LID AND REAR GATE



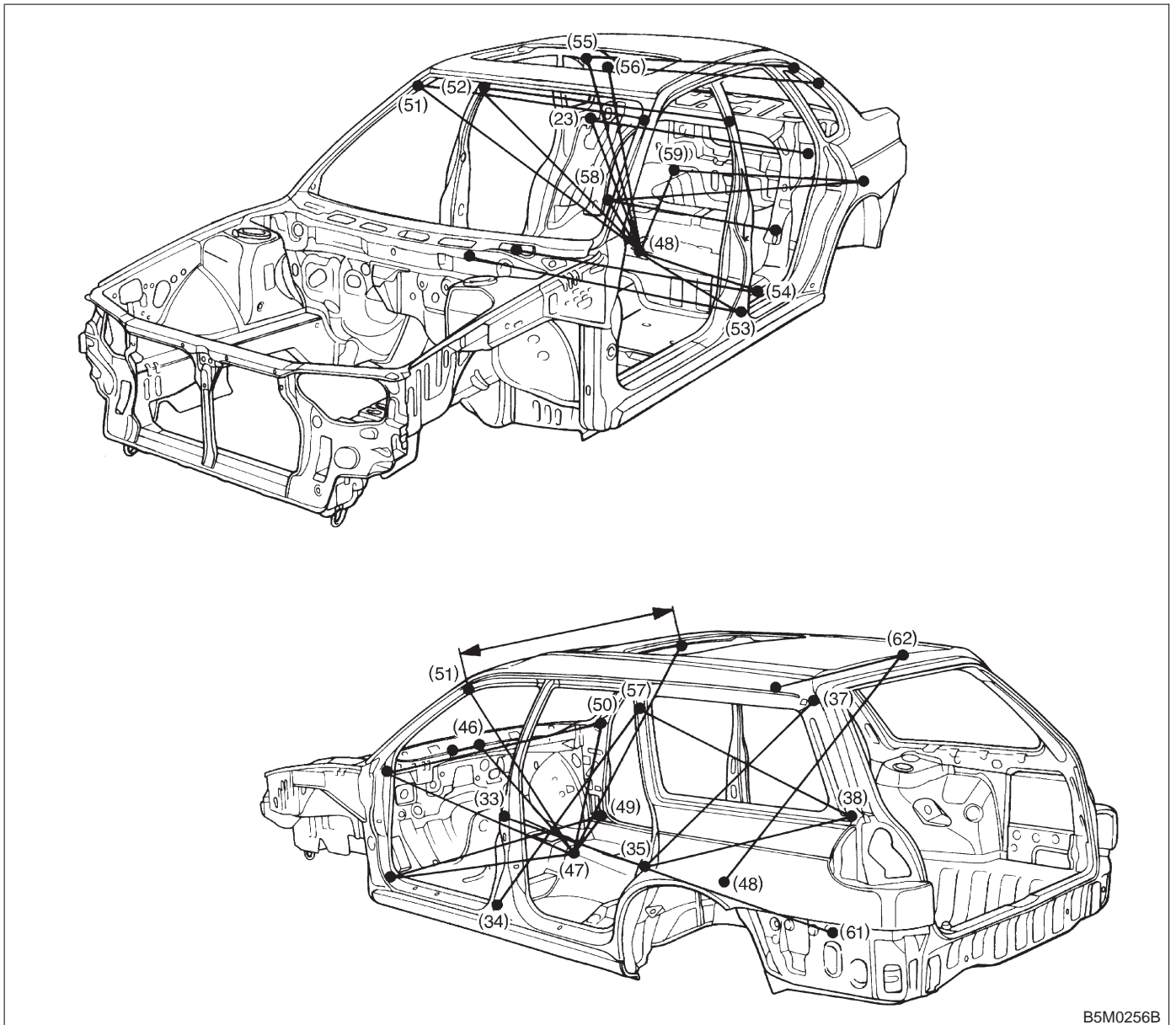
B5M0255B

Point to point	Dimension	Point to point	Dimension
(68) RH to (68) LH	1,346 (52.99)	(64) RH to (64) LH	1,213 (47.76)
(69) RH to (69) LH	1,080 (42.52)	(63) to (64) RH	990 (38.98)
(65) to (59) RH	771 (30.35)	(63) to (64) LH	990 (38.98)
(65) to (59) LH	785 (30.91)	(63) to (60) RH	1,003 (39.49)
(65) to (66) RH	592 (23.31)	(63) to (60) LH	1,003 (39.49)
(65) to (66) LH	604 (23.78)	(60) RH to (64) LH	984 (38.74)
(48) to (60) RH	1,707 (67.20)	(60) LH to (64) RH	984 (38.74)
(48) to (60) LH	1,707 (67.20)	(71) RH to (71) LH	1,393 (54.84)
(48) to (63)	1,466 (57.72)	(70) RH to (70) LH	1,320 (51.97)

Unit: mm (in)



F: COMPARTMENT



B5M0256B



# SPECIFICATIONS AND SERVICE DATA

[S3F0] **5-1**

## 3. Datum Dimensions

Point to point	Dimension	Point to point	Dimension	Point to point	Dimension
(48) to (51) RH	1,315 (51.77)	(51) RH to (51) LH	1,148 (45.20)	(47) to (51) RH	992 (39.06)
(48) to (51) LH	1,315 (51.77)	(52) RH to (52) LH	1,153 (45.39)	(47) to (51) LH	998 (39.29)
(48) to (52) RH	1,033 (40.67)	(53) RH to (53) LH	1,534 (60.39)	(48) to (62) RH*	1,327 (52.24)
(48) to (52) LH	1,033 (40.67)	(54) RH to (54) LH	1,220 (48.03)	(48) to (62) LH*	1,327 (52.24)
(48) to (53) RH	866 (34.09)	(23) RH to (54) LH	1,520 (59.84)	(62) RH to (62) LH*	1,000 (39.37)
(48) to (53) LH	866 (34.09)	(23) LH to (54) RH	1,520 (59.84)	(35) RH to (37) RH*	805 (31.69)
(48) to (54) RH	612 (24.09)	(55) RH to (55) LH	1,307 (40.83)	(35) LH to (37) LH*	805 (31.69)
(48) to (54) LH	612 (24.09)	(56) RH to (56) LH	1,206 (47.48)	(35) RH to (38) RH*	928 (36.54)
(48) to (55) RH	1,120 (44.09)	(23) RH to (23) LH	1,210 (47.64)	(35) LH to (38) LH*	928 (36.54)
(48) to (55) LH	1,120 (44.09)	(58) RH to (58) LH	1,000 (39.37)	(49) RH to (49) LH*	1,399 (55.08)
(48) to (56) RH	1,201 (47.28)	(58) RH to (59) LH	1,435 (56.50)	(50) RH to (50) LH*	1,378 (54.25)
(48) to (56) LH	1,201 (47.28)	(59) RH to (58) LH	1,435 (56.50)	(34) RH to (57) RH*	1,207 (47.52)
(48) to (23) RH	1,065 (41.93)	(59) RH to (59) LH	1,115 (43.90)	(34) LH to (57) LH*	1,207 (47.52)
(48) to (23) LH	1,065 (41.93)	(47) to (46)	840 (33.07)	(35) RH to (57) RH*	461 (18.15)
(48) to (58) RH	747 (29.41)	(47) to (49) RH	905 (35.63)	(35) LH to (57) LH*	461 (18.15)
(48) to (58) LH	747 (29.41)	(47) to (49) LH	913 (35.94)	(33) RH to (61) RH*	1,773 (69.80)
(48) to (59) RH	1,621 (63.82)	(47) to (50) RH	981 (38.62)	(33) LH to (61) LH*	1,773 (69.80)
(48) to (59) LH	1,621 (63.82)	(47) to (50) LH	988 (38.90)		

Unit: mm (in) \*: Wagon only