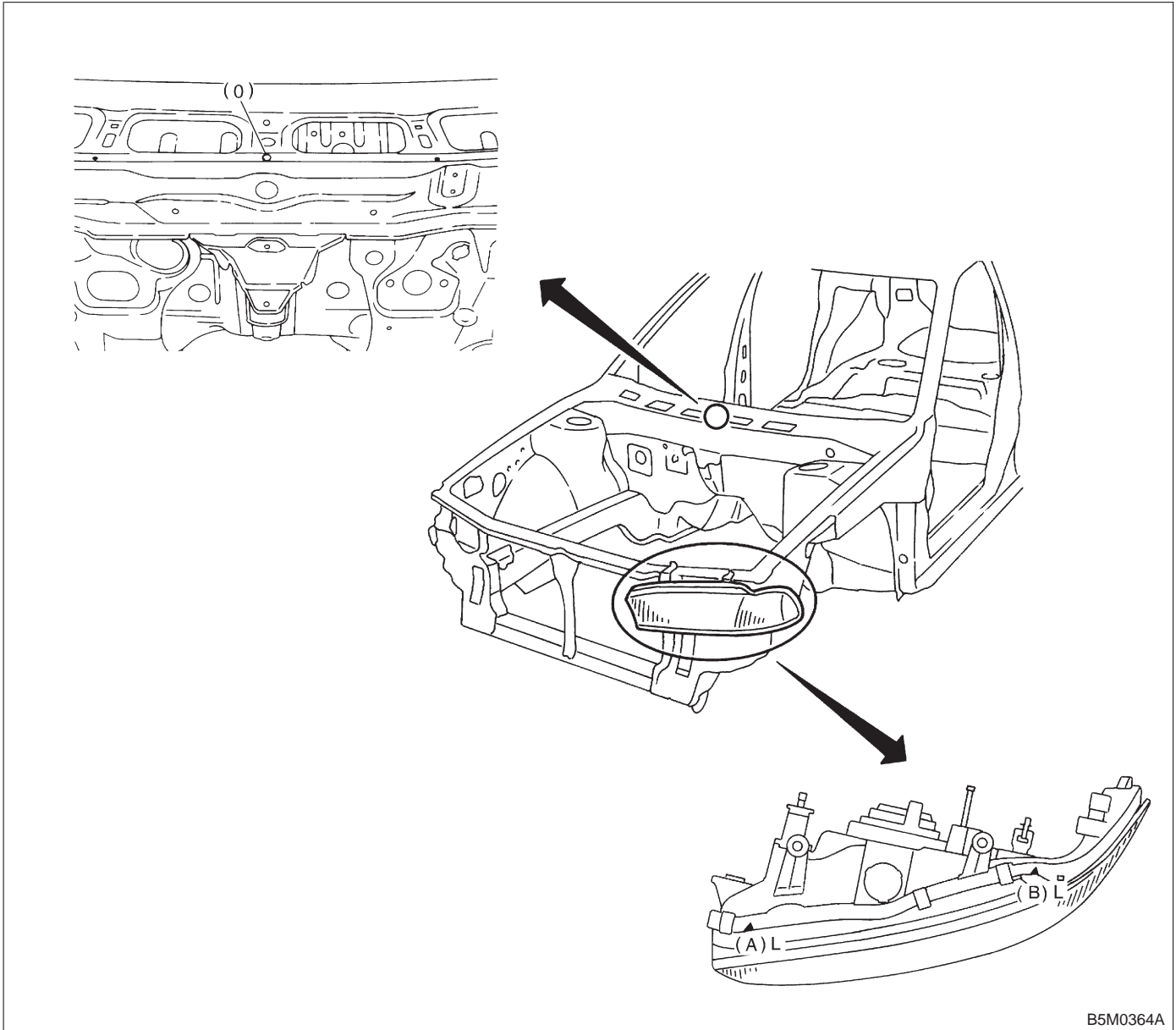


4. Datum Points and Dimensions Concerning On-Board Aiming Adjustment

If headlight aiming is misaligned due to damaged body panel, repair headlight mating surface using body and headlight datum points as a guide.

NOTE:

It is recommended to conduct On-Board Aiming Adjustment with headlights turned off. If turned on during the adjustment, the duration should be within two minutes.



B5M0364A

Point to point	Dimension	Point to point	Dimension
(0) to (A) LH	1,015 (39.96)	(0) to (B) LH	1,057 (41.61)
(0) to (A) RH	1,015 (39.96)	(0) to (B) RH	1,057 (41.61)

Unit: mm (in)