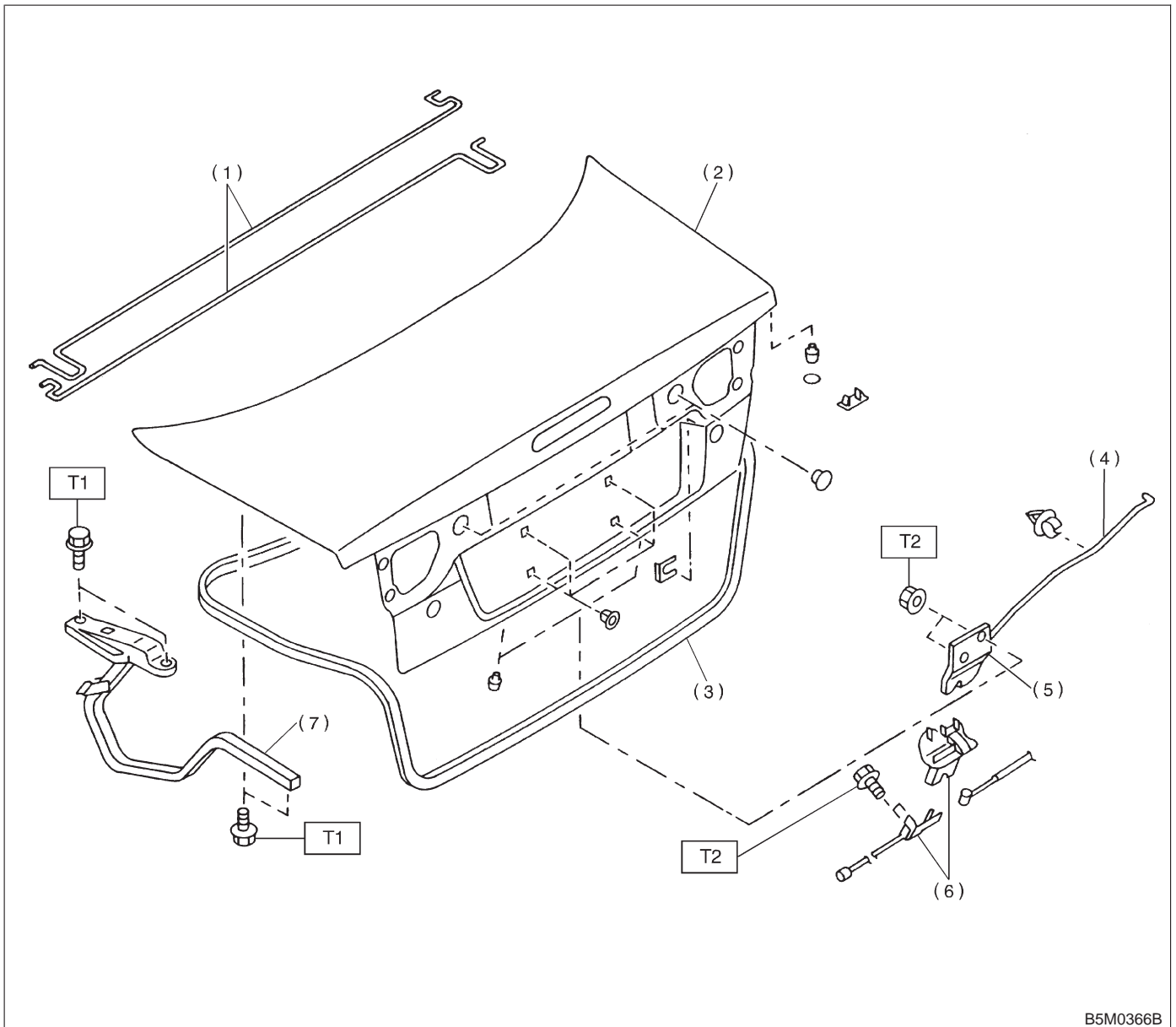


2. Trunk Lid



B5M0366B

- | | |
|------------------|-------------------------|
| (1) Torsion bar | (5) Trunk lid lock ASSY |
| (2) Trunk lid | (6) Striker |
| (3) Weatherstrip | (7) Hinge ASSY |
| (4) Rod | |

Tightening torque: N-m (kg-m, ft-lb)

T1: 14±4 (1.4±0.4, 10.1±2.9)

T2: 18±5 (1.8±0.5, 13.0±3.6)