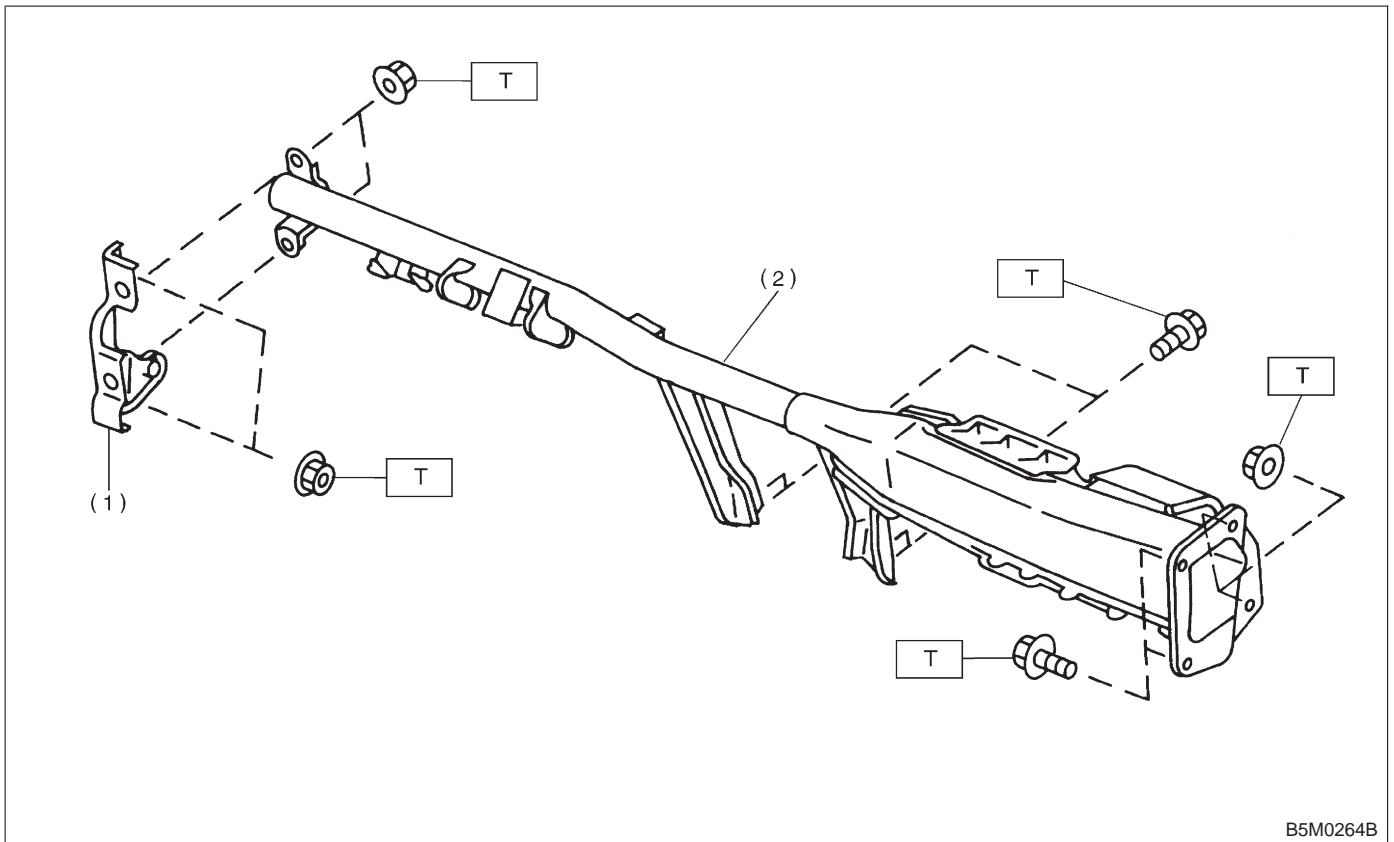


6. Steering Support Beam



B5M0264B

- (1) Bracket
- (2) Steering beam

Tightening torque: N·m (kg·m, ft·lb)
T: 32±10 (3.3±1.0, 23.9±7)