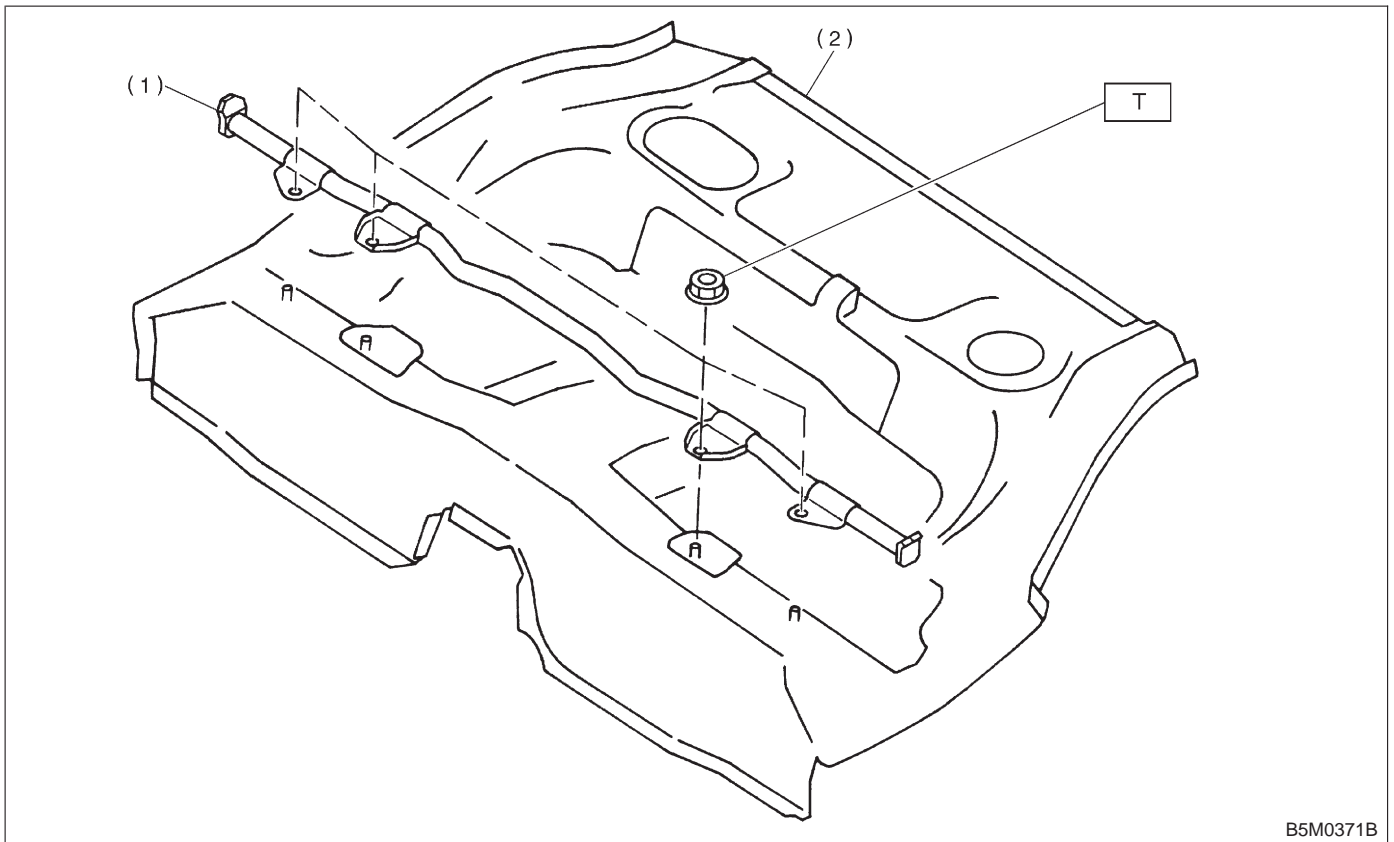


7. Guard Pipe



B5M0371B

- (1) Guard pipe
- (2) Rear floor panel

Tightening torque: N·m (kg·m, ft·lb)
T: 32±10 (3.3±1.0, 23.9±7)