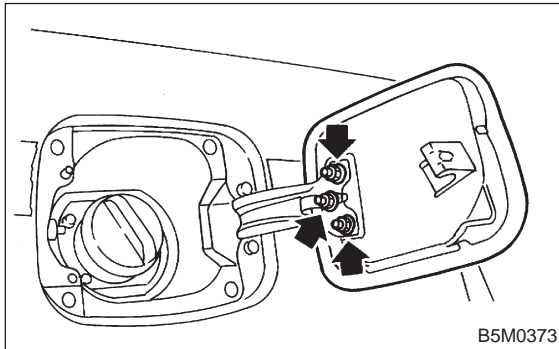


### 3. Fuel Flap

#### A: REMOVAL AND INSTALLATION

##### 1. FUEL FLAP

- 1) Remove bolts which hold hinge to fuel flap, and detach fuel flap.



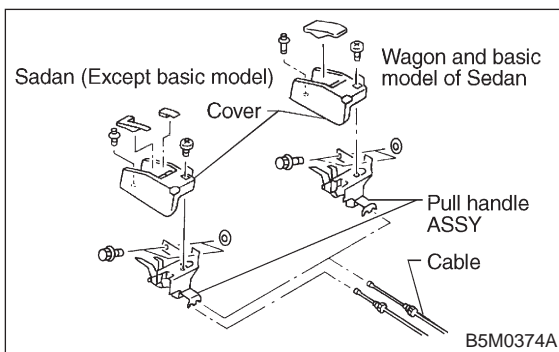
- 2) Installation is in the reverse order of removal.

#### CAUTION:

Make sure the clearance between fuel flap and vehicle body is equal at all points.

##### 2. FUEL FLAP OPENER

- 1) Remove rear seats, center pillar lower cover, floor mat, rear arch cover/rear quarter trim (Wagon), and side sill cover (on the driver's side).
- 2) Remove all clips which hold cable.
- 3) Disconnect cable from pull handle.



- 4) Detach pull handle by removing bolts.
- 5) Detach fuel lock holder by turning it.
- 6) Installation is in the reverse order of removal.

#### CAUTION:

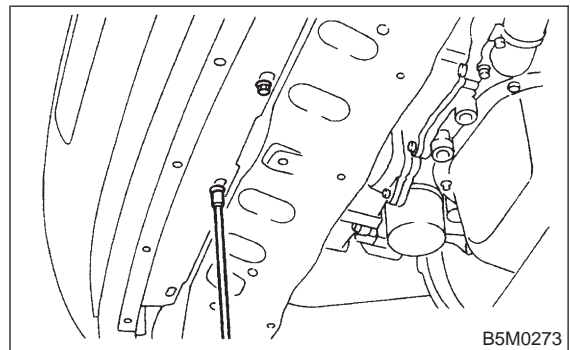
- When installing cover to pull handle assembly, observe the following:
  - Be careful not to catch harness.
  - Engage pull handle assembly pawls firmly.
- After installing opener cable, ensure it moves smoothly.

### 4. Front Bumper

#### A: REMOVAL AND INSTALLATION

##### 1. EXCEPT OUTBACK MODEL

- 1) Disconnect the ground cable from the battery.
- 2) Remove two bolts from lower center of bumper.

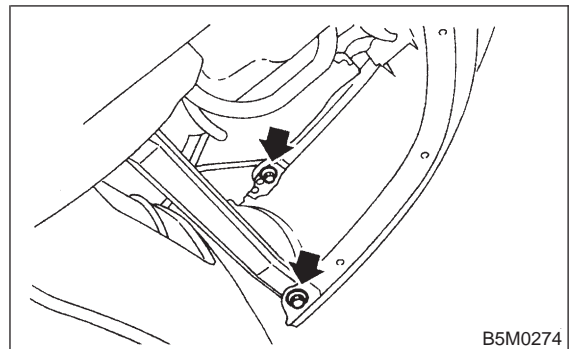


- 3) Remove mud guard. <Ref. to 5-1 [W9A1].>

#### NOTE:

It is not necessary to remove the entire mud guard. Remove clips from the front section of mud guard, if necessary.

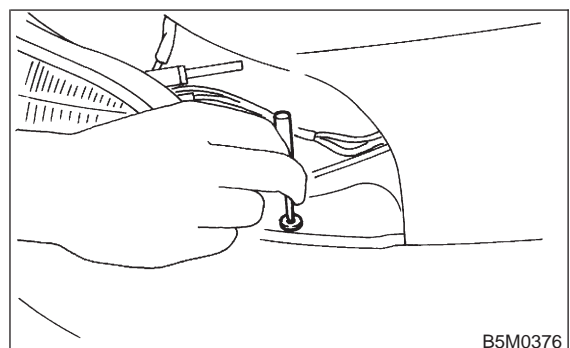
- 4) Remove the canister. <Ref. to 2-1 [W3A0].>
- 5) Remove two bolts from side of bumper.



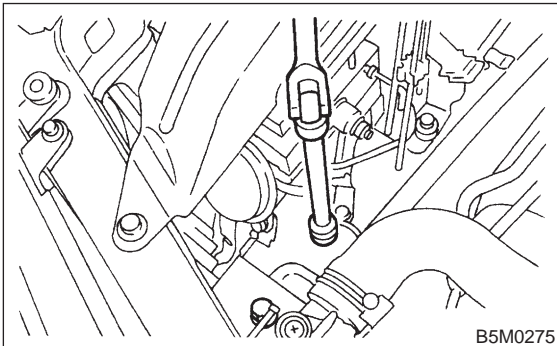
- 6) Remove front grill. <Ref. to 5-1 [W12A0].>
- 7) Remove headlight. <Ref. to 6-2 [W4B2].>
- 8) Remove clips from both sides of front bumper.

#### NOTE:

When removing, push the pin at the center of clip with a thin screwdriver.



9) Remove bolts (engine compartment side) from bumper stays.

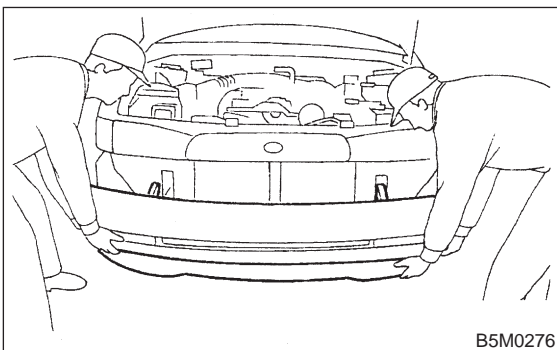


10) Remove front bumper assembly.

**NOTE:**

Front bumper surface is accessible for removal after removing the following parts:

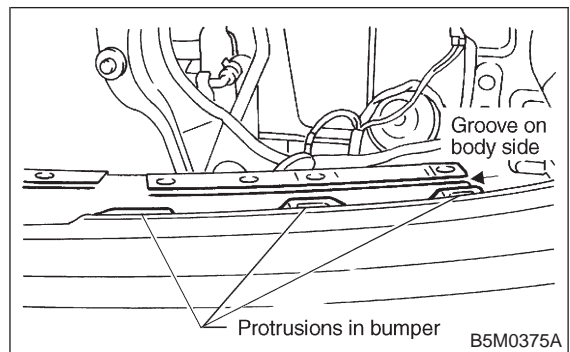
Two bolts (on the lower center of bumper), mud guard, bolts (on the side of bumper), front grille, headlight, clips (on both sides of front bumper), clips (on the upper section of bumper), and clips (on the lower section of bumper).



11) Installation is in the reverse order of removal.

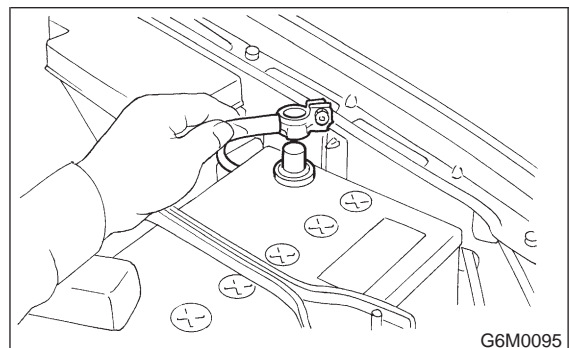
**CAUTION:**

- Be extremely careful to prevent scratches on bumper face as it is made of resin.
- Be careful not to scratch the body when removing or installing the bumper.
- When installing canister, insert air vent hose of canister into the hole on body.
- To facilitate installation of front bumper, insert the protrusion inside bumper into the groove of body.

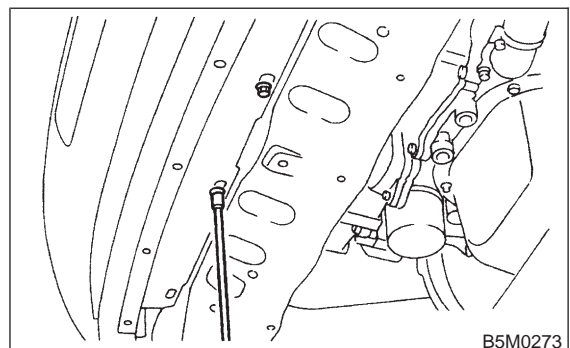


## 2. OUTBACK MODEL

1) Disconnect the ground cable from the battery.



2) Remove two bolts from lower center of bumper.



3) Remove mud guard. <Ref. to 5-1 [W9A2].>

**NOTE:**

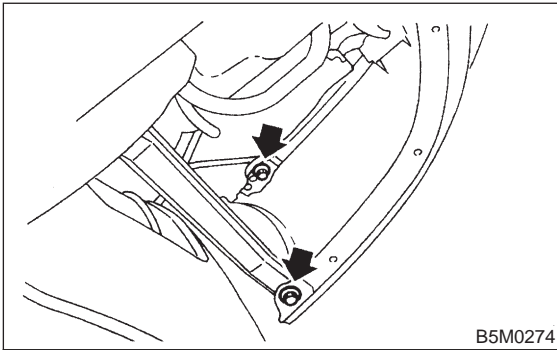
It is not necessary to remove the entire mud guard. Remove clips from the front section of mud guard, if necessary.

4) Remove the canister. <Ref. to 2-1 [W3A0].>

**5-1 [W4A2]**  
4. Front Bumper

**SERVICE PROCEDURE**

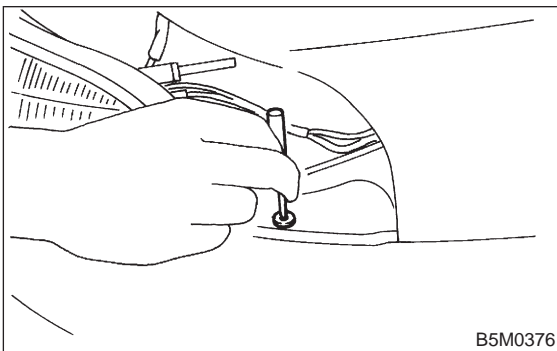
5) Remove two bolts from side of bumper.



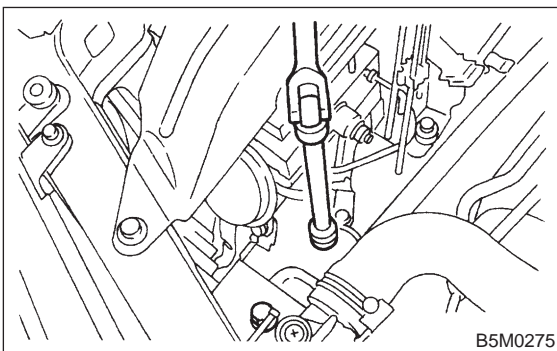
- 6) Remove front grill. <Ref. to 5-1 [W12A0].>
- 7) Remove headlight. <Ref. to 6-2 [W4B2].>
- 8) Remove fog lamps.
- 9) Remove clips from both sides of front bumper.

**NOTE:**

When removing, push the pin at the center of clip with a thin screwdriver.



10) Remove bolts (engine compartment side) from bumper stays.

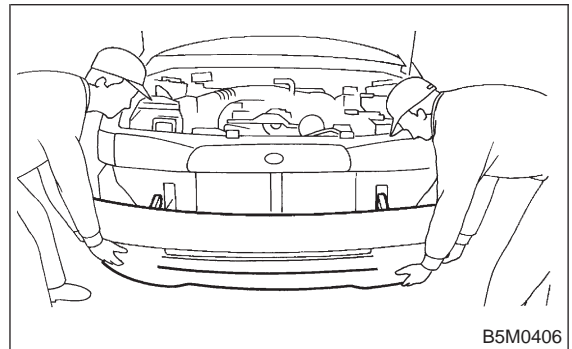


11) Remove front bumper assembly.

**NOTE:**

Front bumper surface is accessible for removal after removing the following parts:

Two bolts (on the lower center of bumper), mud guard, bolts (on the side of bumper), front grille, headlight, clips (on both sides of front bumper), clips (on the upper section of bumper), and clips (on the lower section of bumper).



12) Installation is in the reverse order of removal.

**CAUTION:**

- Be extremely careful to prevent scratches on bumper face as it is made of resin.
- Be careful not to scratch the body when removing or installing the bumper.
- When installing canister, insert air vent hose of canister into the hole on body.
- To facilitate installation of front bumper, insert the protrusion inside bumper into the groove of body.

