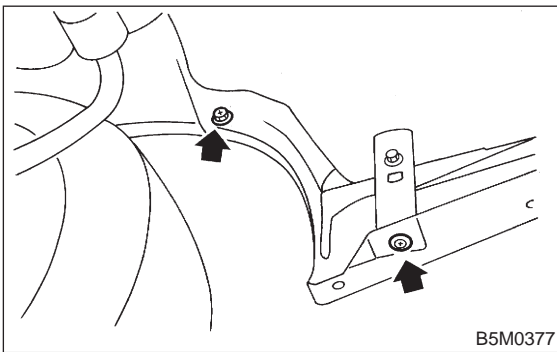


## 5. Rear Bumper

### A: REMOVAL AND INSTALLATION

#### 1. SEDAN

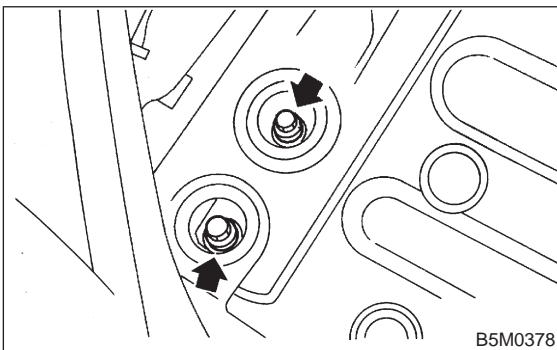
1) Remove one bolt and one clip from side of bumper.



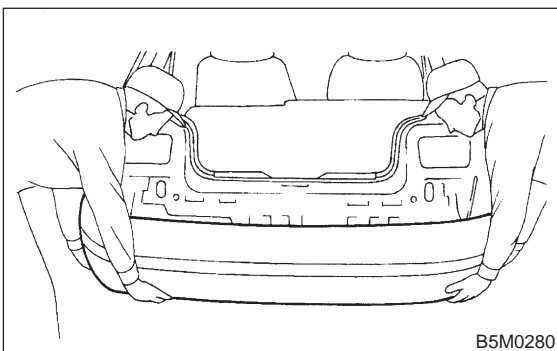
2) Open trunk lid. Remove trunk trim panel clips and detach trim.

3) Remove rear bumper beam (upper) attaching nut.

4) Remove bolts from bumper stays.



5) Remove rear bumper assembly.

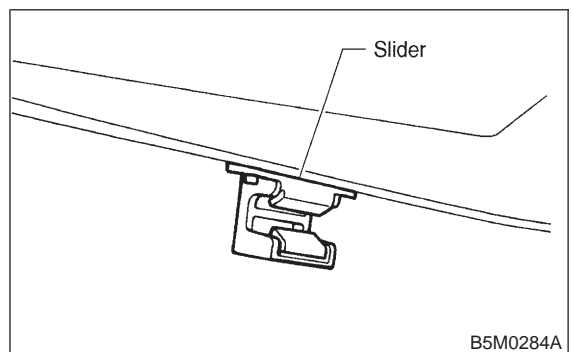
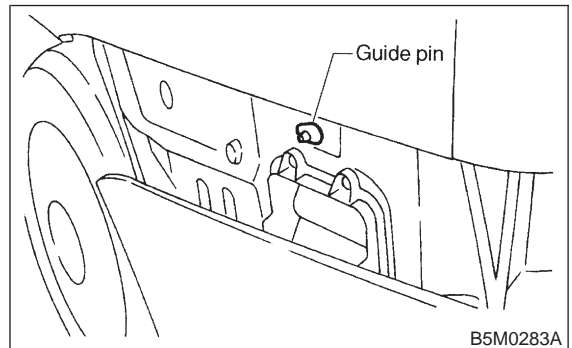


6) Installation is in the reverse order of removal.

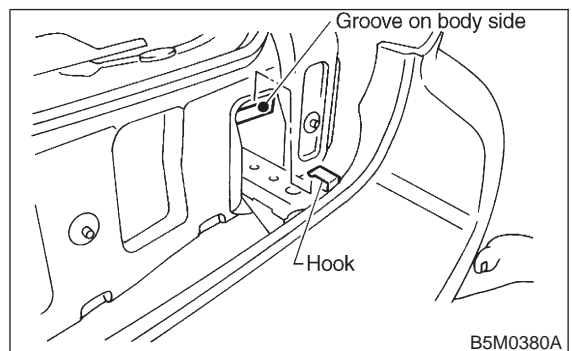
#### CAUTION:

- Be extremely careful to prevent scratches on bumper face as it is made of resin.
- Be careful not to scratch the body when removing or installing bumper.

- To facilitate installation of rear bumper, attach slider to the guide pin.

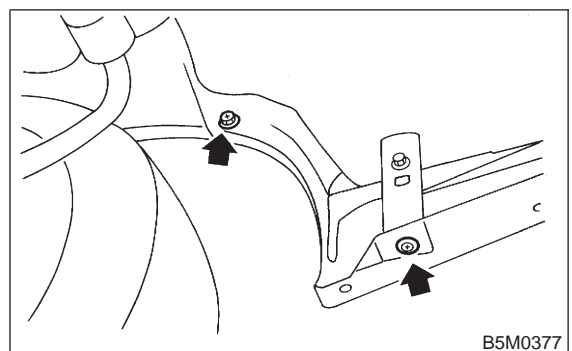


- To facilitate installation of rear bumper, insert the bumper hook into the body groove.



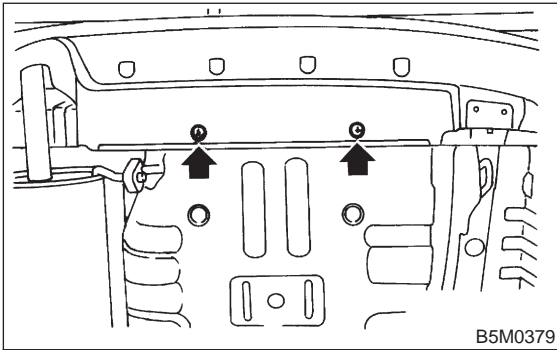
#### 2. WAGON

1) Remove one bolt and one clip from side of bumper.

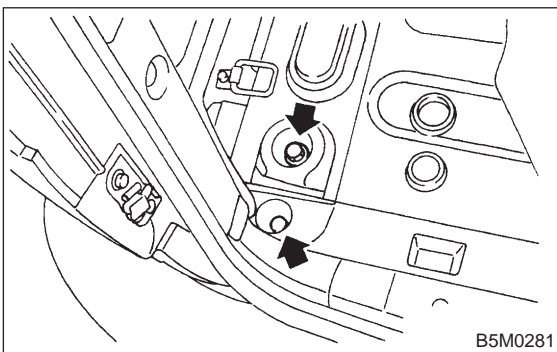


2) Open rear gate. Remove rear quarter trim lid.

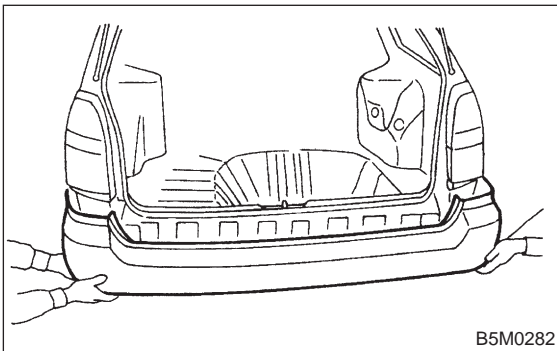
3) Remove two clips from lower center of bumper.



4) Remove bolts from bumper stays.



5) Remove rear bumper assembly.

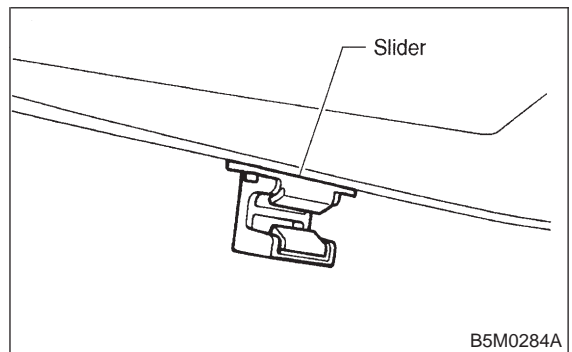
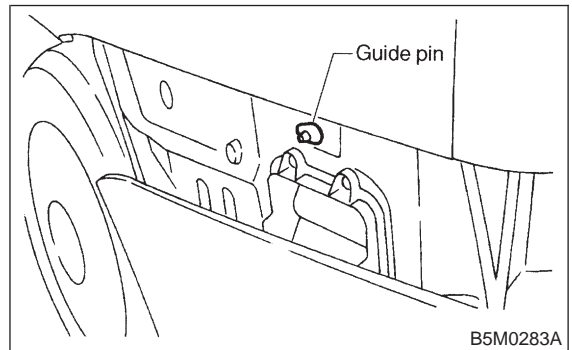


6) Installation is in the reverse order of removal.

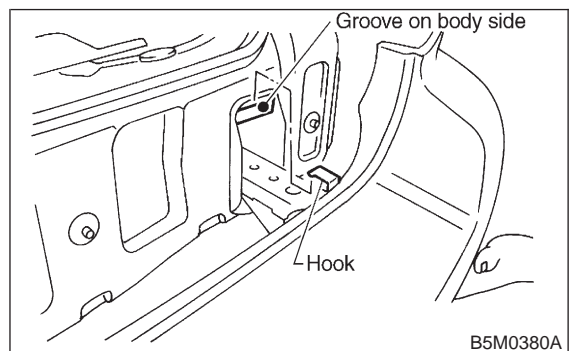
**CAUTION:**

- Be extremely careful to prevent scratches on bumper face as it is made of resin.
- Be careful not to scratch the body when removing or installing bumper.

● To facilitate installation of rear bumper, attach slider to the guide pin.

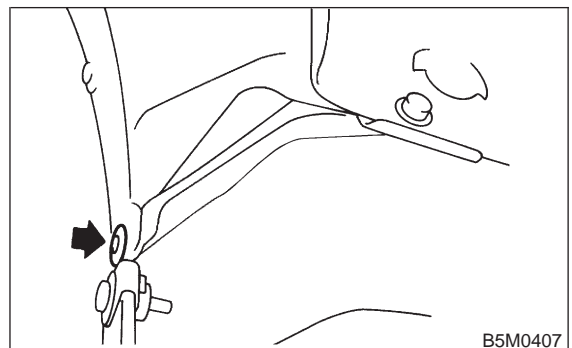


● To facilitate installation of rear bumper, insert the bumper hook into the body groove.



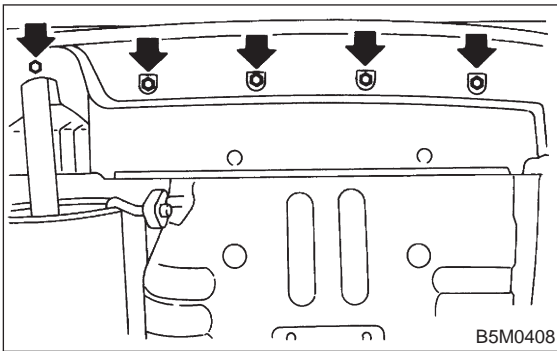
**3. OUTBACK MODEL**

1) Remove one clip from side of bumper.

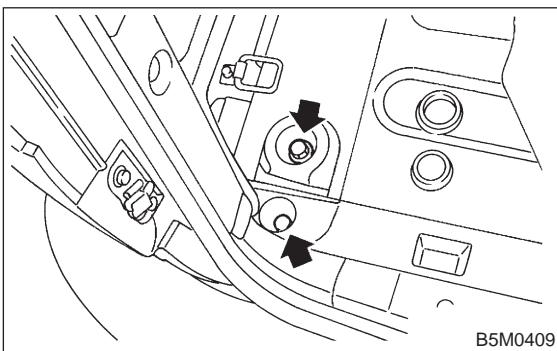


2) Open rear gate and remove rear quarter trim lid.

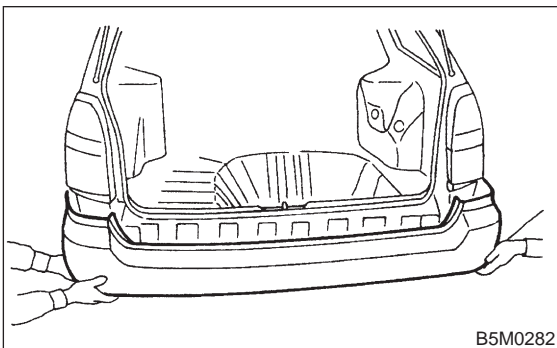
3) Remove five bolts from lower center of bumper.



4) Remove bolts from bumper stays.



5) Remove rear bumper assembly.

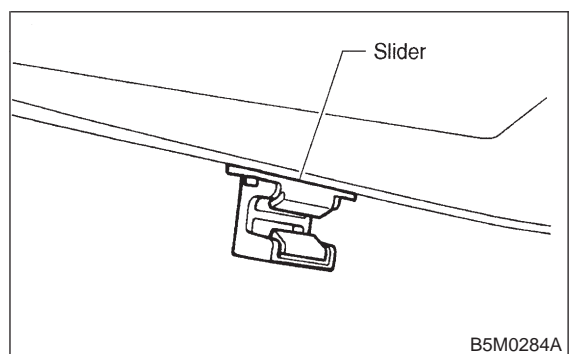
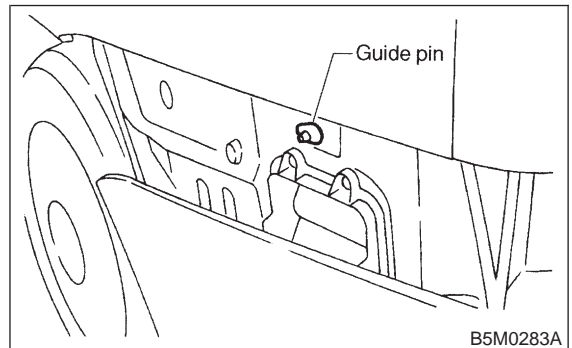


6) Installation is in the reverse order of removal.

**CAUTION:**

- Be extremely careful to prevent scratches on bumper face as it is made of resin.
- Be careful not to scratch the body when removing or installing bumper.

● To facilitate installation of rear bumper, attach slider to the guide pin.



● To facilitate installation of rear bumper, insert the bumper hook into the body groove.

