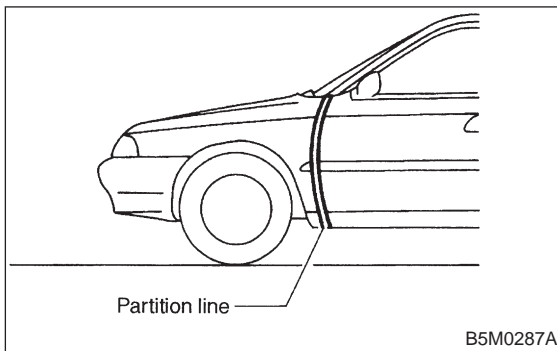
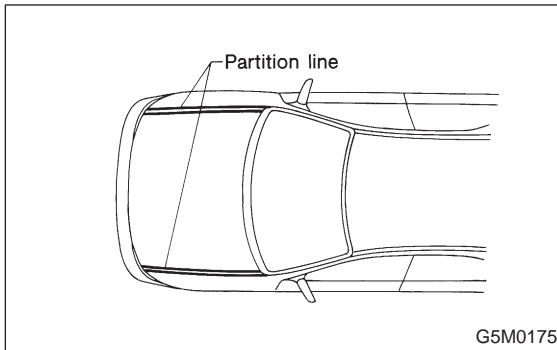


6) Installation is in the reverse order of removal.

NOTE:

Check for alignment of front fender with hood and front door with front fender at all points. Adjust, if necessary.

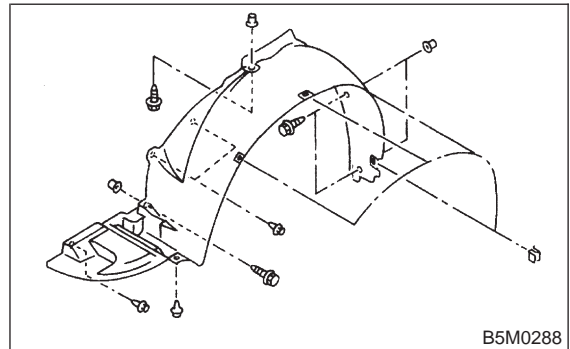


9. Mud Guard and Rear Arch Protector

A: REMOVAL AND INSTALLATION

1. MUD GUARD (EXCEPT OUTBACK MODEL)

- 1) Jack-up vehicle to remove tire.
- 2) Remove screws and clips. Move mud guard toward the center of the body and remove mud guard.



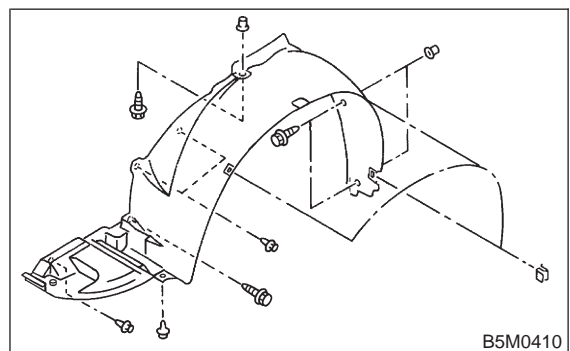
3) Installation is in the reverse order of removal.

CAUTION:

Only use new screws and clips.

2. MUD GUARD (OUTBACK MODEL)

- 1) Jack-up vehicle to remove tire.
- 2) Remove screws and clips. Move mud guard toward the center of the body and remove mud guard.



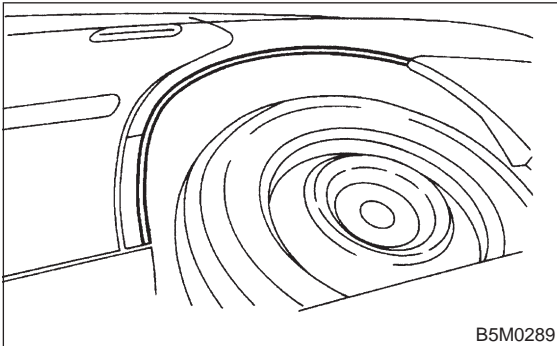
3) Installation is in the reverse order of removal.

CAUTION:

Only use new screws and clips.

3. REAR ARCH PROTECTOR

- 1) Remove rear arch protector.



- 2) Installation is in the reverse order of removal.

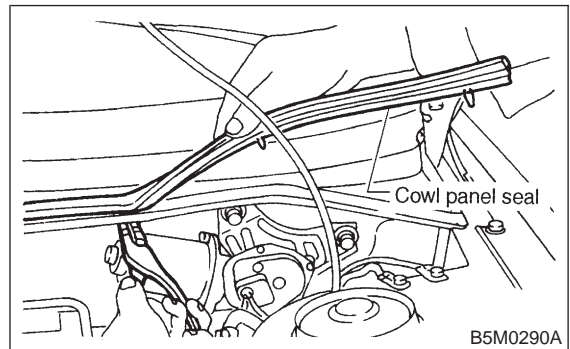
CAUTION:

Only use new screws and clips.

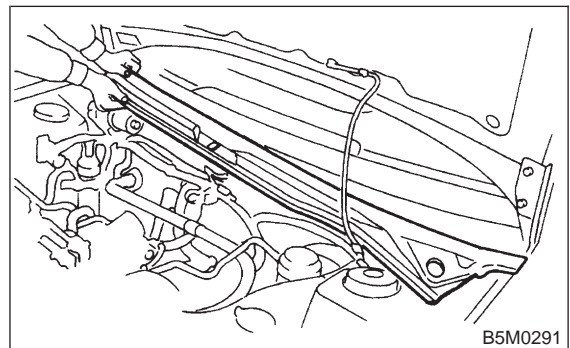
10. Cowl Panel

A: REMOVAL AND INSTALLATION

- 1) Remove wiper arms.
- 2) Open front hood.
- 3) Remove cowl panel seal using a plier.



- 4) Lift cowl panel and detach it from clips attached to body panel.



- 5) Installation is in the reverse order of removal.

NOTE:

When installing cowl panel, first attach a middle clip to the cap attached to body panel. Then tap the cowl panel to attach it to other clips.