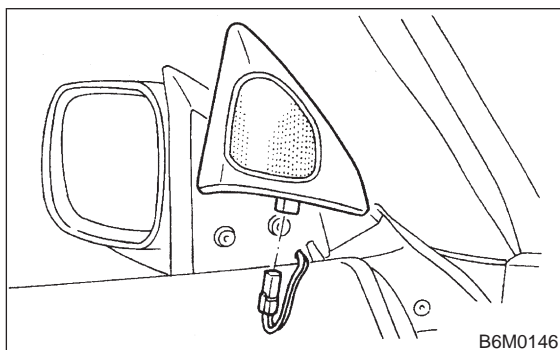


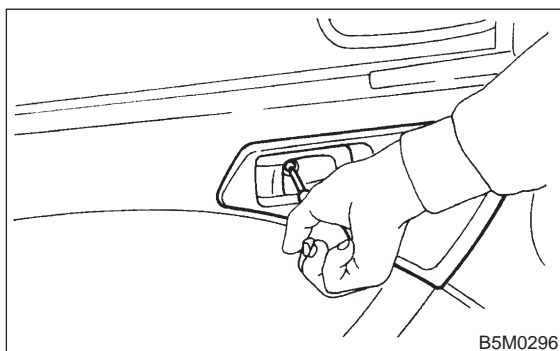
13. Door Mirror

A: REMOVAL AND INSTALLATION

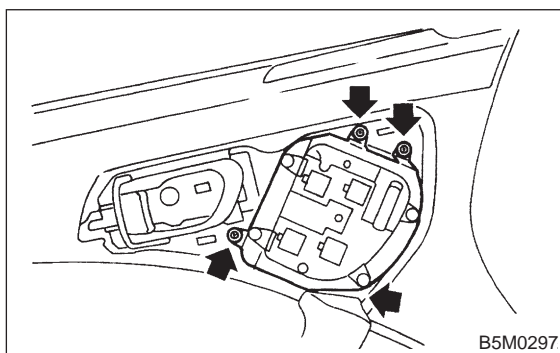
- 1) Remove the gusset cover.



- 2) Remove inner remote control switch cover.

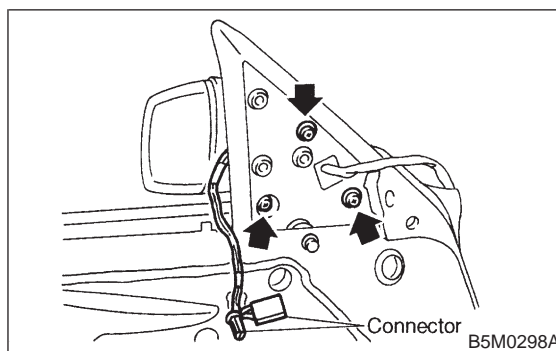


- 3) Remove front door trim.



- 4) Remove front door trim.

- 5) Disconnect the door mirror connector.
6) Remove the door mirror installation screws.



- 7) Installation is in the reverse order of removal.