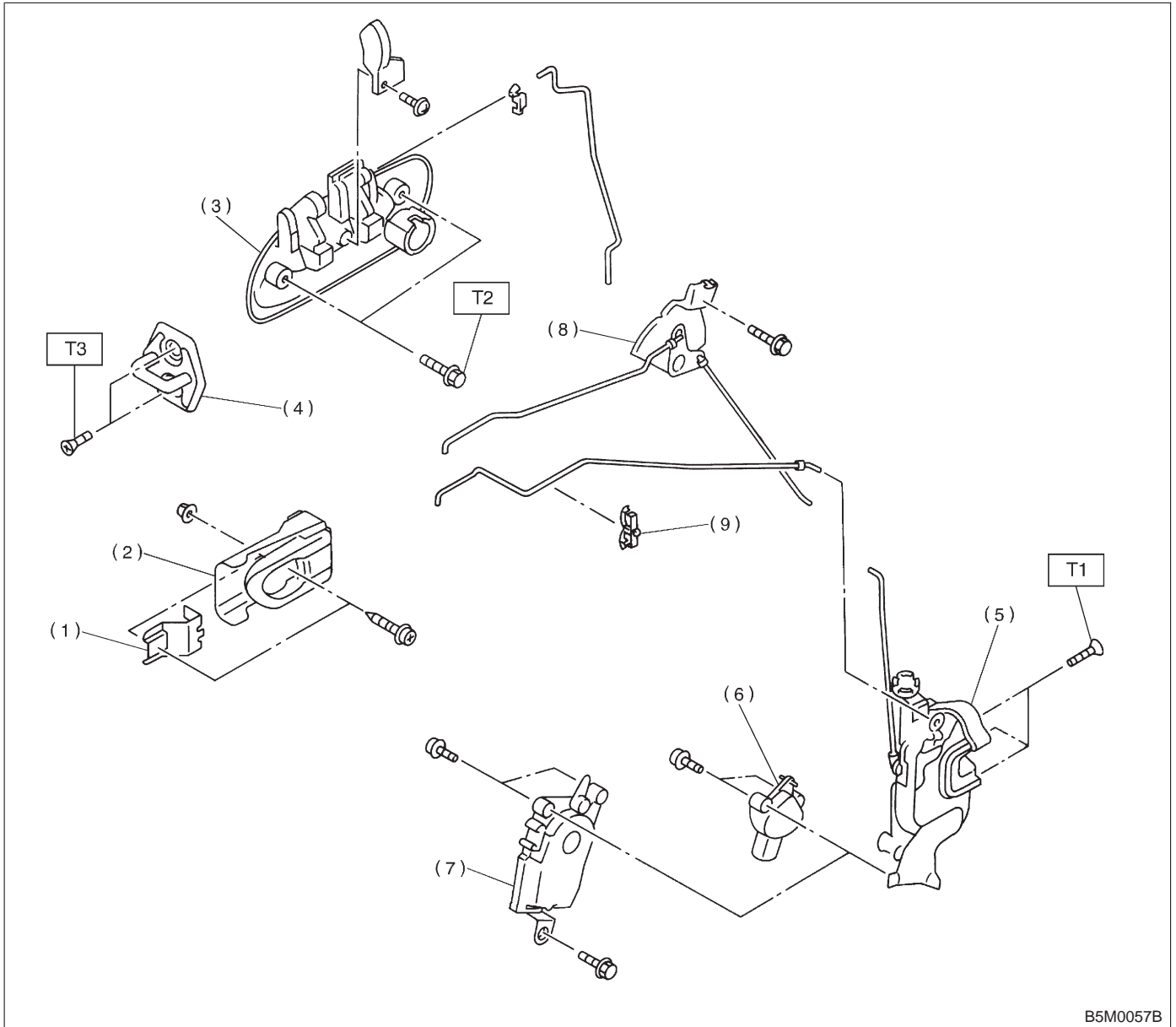


7. Door Lock Assembly

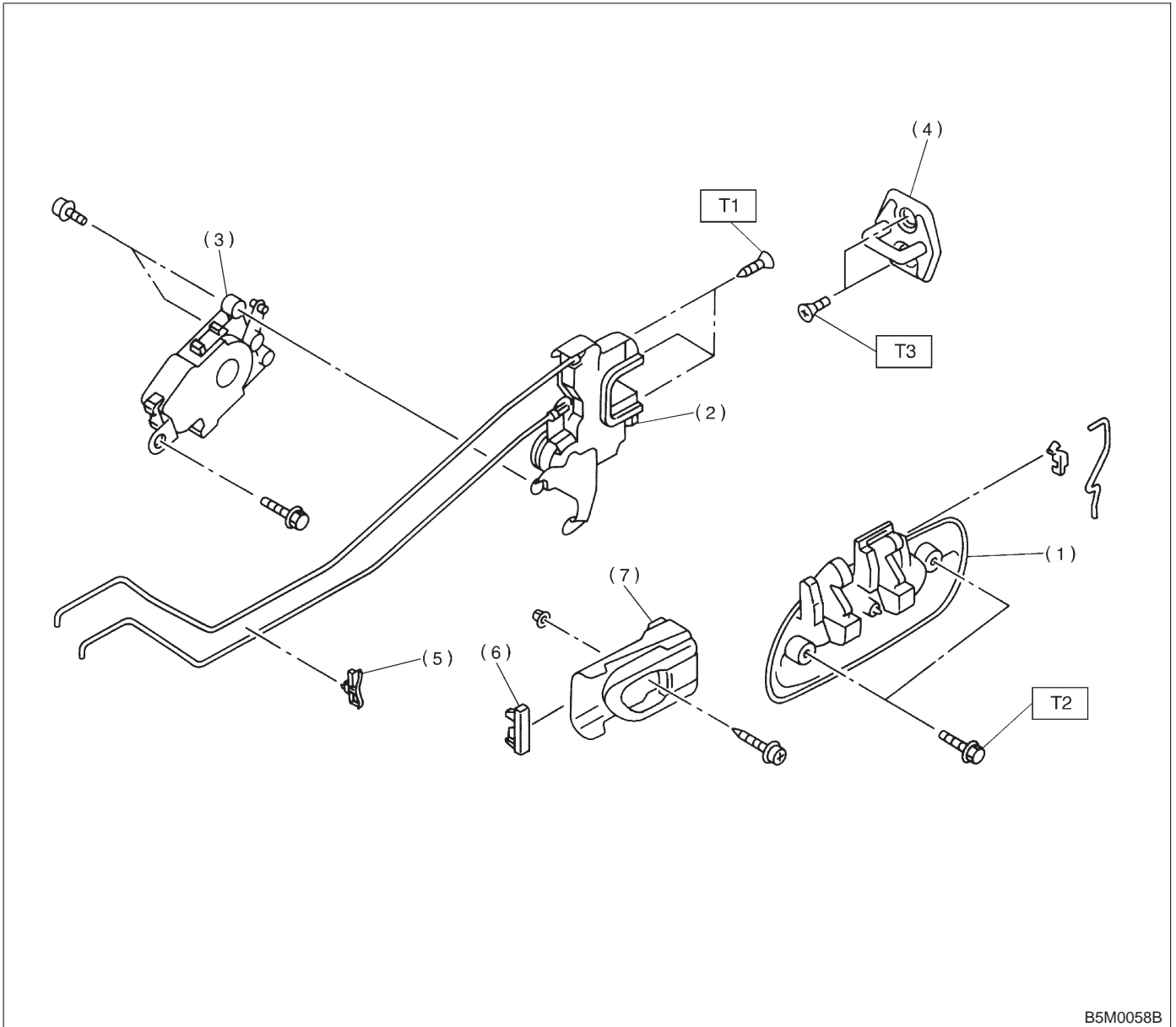
A: FRONT DOOR



- | | |
|-----------------------|-----------------------------|
| (1) Holder remote | (6) Switch ASSY |
| (2) Inner remote ASSY | (7) Auto-door lock actuator |
| (3) Door outer handle | (8) Bell crank |
| (4) Striker | (9) Rod holder |
| (5) Door latch | |

Tightening torque: N·m (kg·m, ft·lb)
T1: 6.4±2.0 (0.65±0.2, 4.7±1.4)
T2: 7.4±2.0 (0.75±0.2, 5.4±1.4)
T3: 14±4 (1.4±0.4, 10.1±2.9)

B: REAR DOOR



B5M0058B

- | | |
|------------------------|-----------------------|
| (1) Door outer handle | (6) Holder remote |
| (2) Door latch | (7) Inner remote ASSY |
| (3) Door lock actuator | |
| (4) Striker | |
| (5) Rod holder | |

Tightening torque: N·m (kg·m, ft·lb)

T1: 6.4±2.0 (0.65±0.2, 4.7±1.4)

T2: 7.4±2.0 (0.75±0.2, 5.4±1.4)

T3: 14±4 (1.4±0.4, 10.1±2.9)