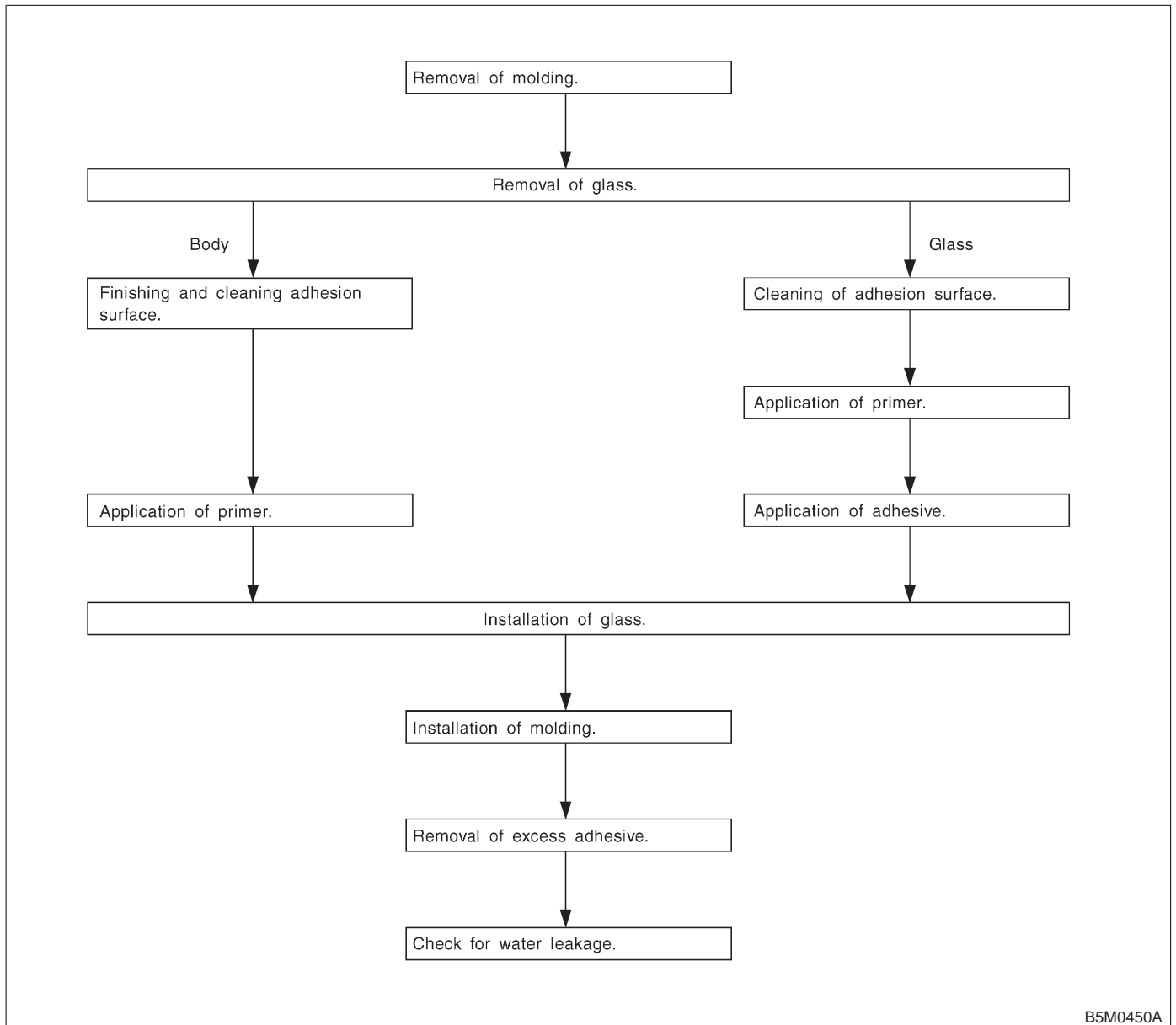


### 4. Procedure Chart for Removing and Installing Window Glass

#### A: REMOVAL AND INSTALLATION



B5M0450A

**B: MATERIALS REQUIRED FOR APPLICATION**

Description	Remarks
Repair adhesive set ● Cartridge of single liquid urethane adhesive ● Primer for glass and body	Sunstar No. 580 or Essex Chemical Corp's Urethane E Sunstar No. 435-580
Windshield knife or piano wire	For cutting windshield.
Sealant gun	For applying adhesive.
Suction cups	For holding glass.
Putty knife	For finishing adhesion surface and cutting spacer.
Sponge	For applying primer.
Gauze or cloth	For cleaning.
Alcohol or white gasoline	Alcohol or white gasoline For cleaning adhesion surface.
Tape	For preventing damage to painted surface.

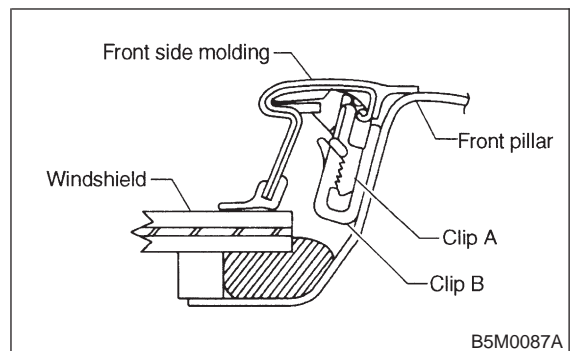
**5. Windshield**

**A: REMOVAL**

**1. USING WINDSHIELD KNIFE**

The following procedure for the front windshield can also be applied to other window glass.

- 1) Remove wiper arm and cowl panel.
- 2) Remove front side molding and front molding upper.



3) Remove glass:

- (1) Put protective tape on body to prevent damage.
- (2) Apply soapy water to the surface of the adhesive agent so the knife blade slides smoothly.
- (3) Cut off excess adhesive agent.
- (4) Put windshield knife into layer of adhesive
- (5) Cut adhesive layer with the windshield knife.

