

1. Instrument Panel **AIRBAG**

1. Instrument Panel **AIRBAG**

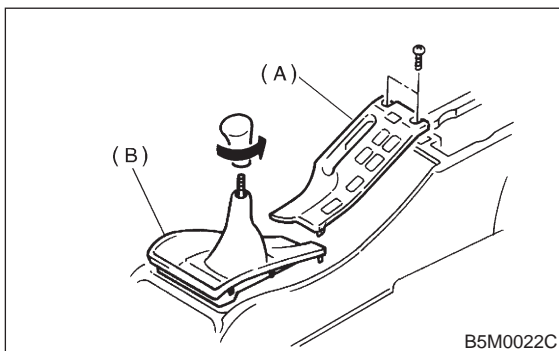
A: REMOVAL

Airbag system wiring harness is routed near combination meter.

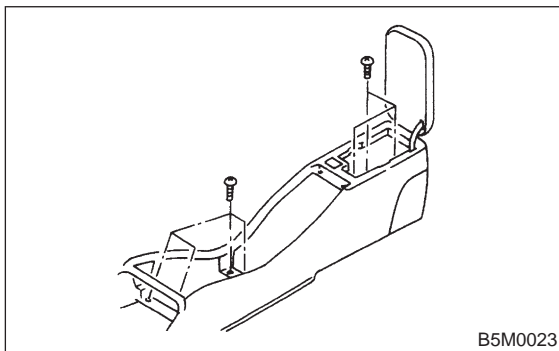
CAUTION:

- All Airbag system wiring harness and connectors are colored yellow. Do not use electrical test equipment on these circuits.
- Be careful not to damage Airbag system wiring harness when servicing the combination meter.

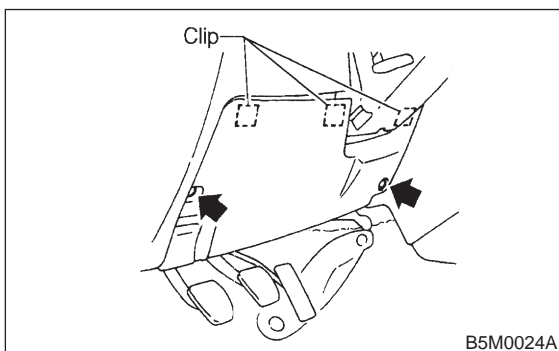
- 1) Disconnect GND cable from battery.
- 2) Remove shift knob (MT model).
- 3) Remove console cover (A) and front cover (B).



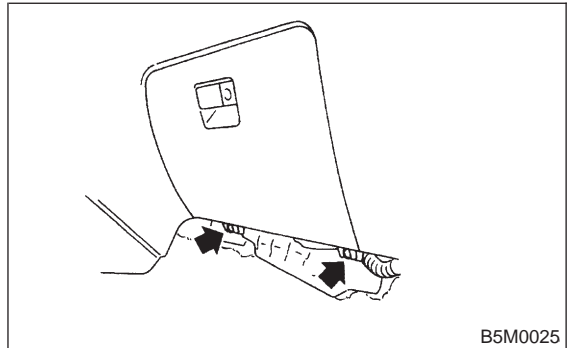
- 4) Remove console box.



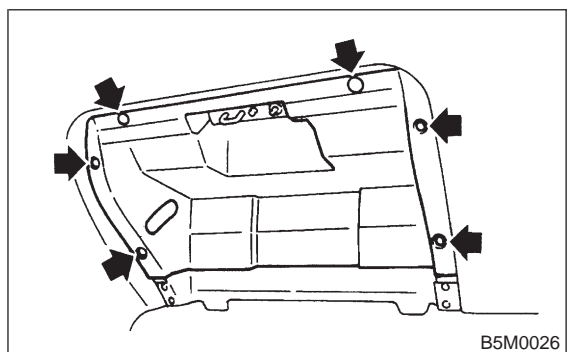
- 5) Remove lower cover and then disconnect connector.



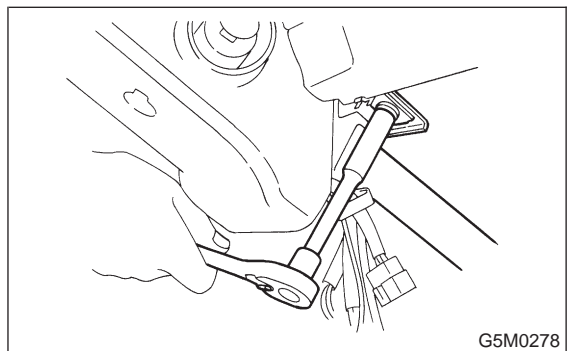
- 6) Remove glove box.



- 7) Remove cover back panel.



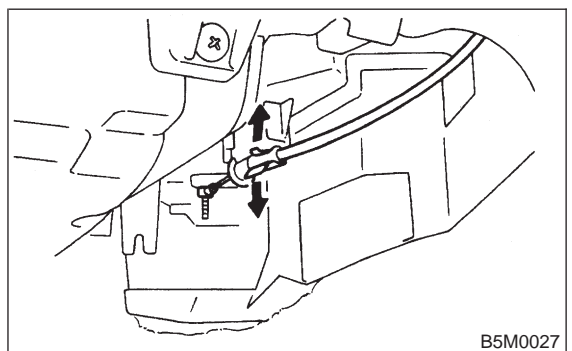
- 8) Remove two bolts and lower steering column.



- 9) Set temperature control lever to Max. COLD position, and then disconnect temperature control cable from link of heater module.

NOTE:

Do not move lever and link when installing.

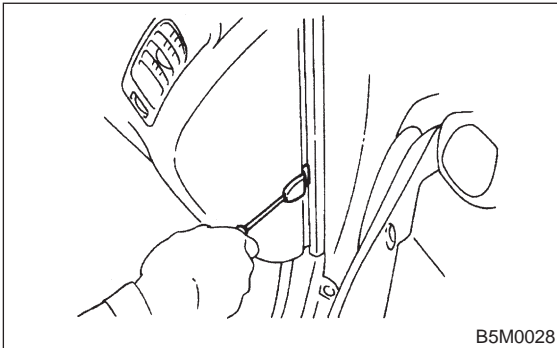


SERVICE PROCEDURE

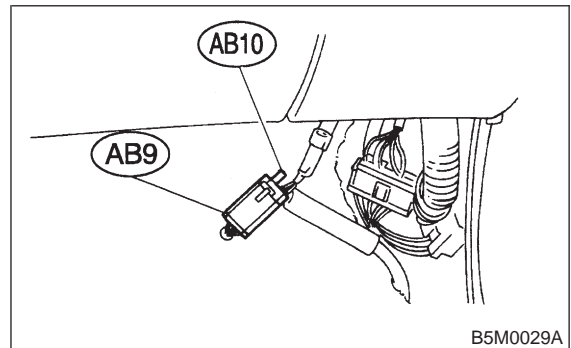
[W1A0] 5-4

1. Instrument Panel AIRBAG

10) Remove bolt cover and bolt of both side.



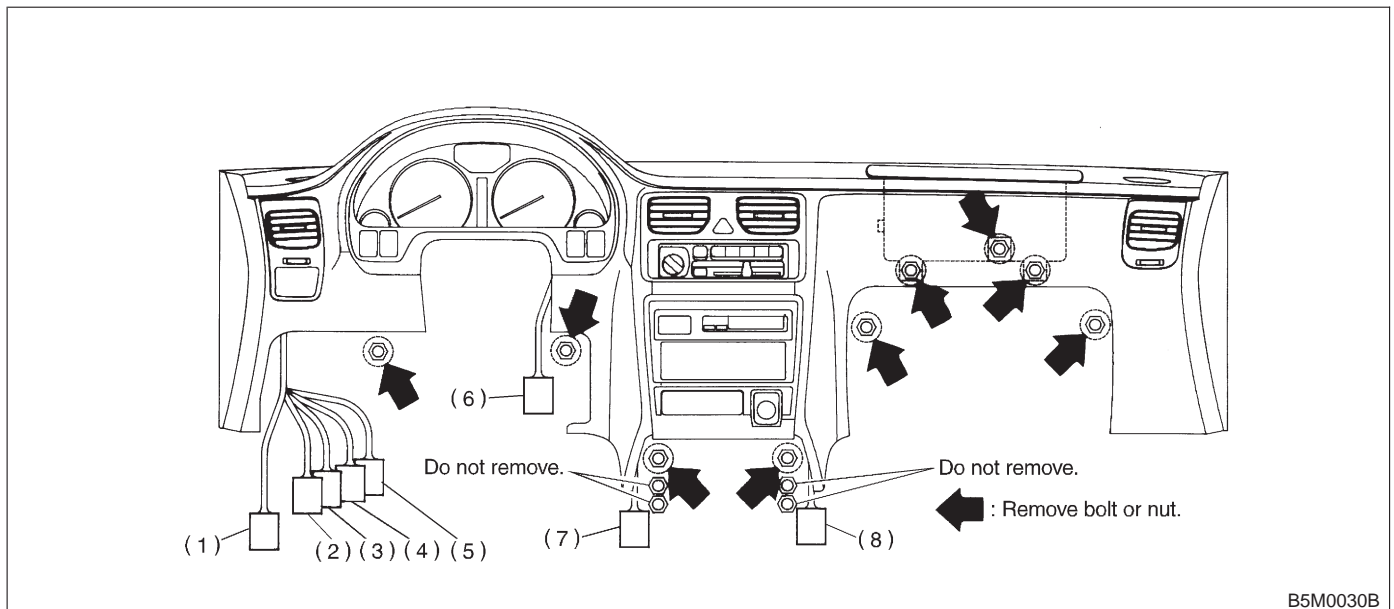
11) Remove front side sill cover RH and then disconnect airbag connector (AB9) and (AB10) (Airbag model). <Ref. to 5-5 [M200].>



12) Disconnect harness connectors and then remove the installing bolt.

CAUTION:
Be sure to hold socket section and not harness when disconnecting.

NOTE:
Put matching mark, if necessary, for easy re-assembly.

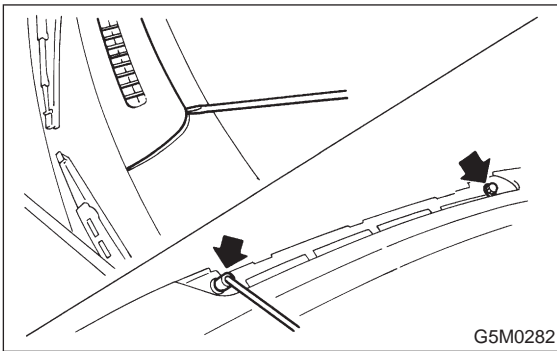


- (1) 15P/Gray
- (2) 22P/Brown
- (3) 22P/White

- (4) 20P/Blue
- (5) 22P/Black
- (6) 4P/Sky blue

- (7) 1P/Black
- (8) 1P/Black

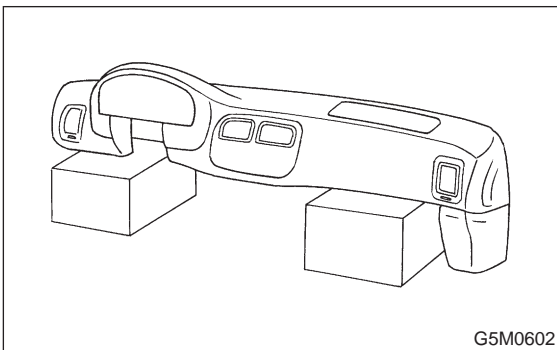
13) Remove front defroster grille and two bolts.



14) Remove instrument panel carefully from the body.

CAUTION:

- Take care not to scratch the instrument panel and related parts.
- When storing removed instrument panel with passenger airbag module, place it standing up on the floor.



B: INSTALLATION

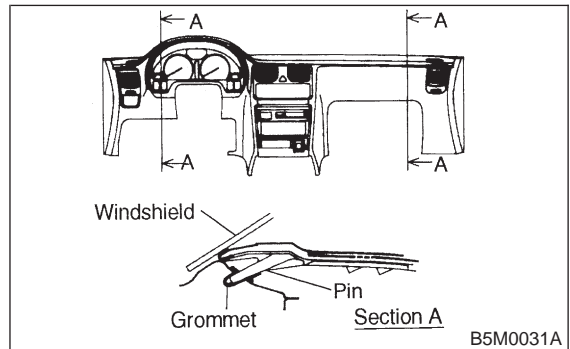
Installation is in the reverse order of removal.

CAUTION:

- Be careful not to snag the harness.
- Make sure to connect harness connectors.
- Take care not to scratch the instrument panel and related parts.

NOTE:

- When setting instrument panel into position, push two pins into grommet on body panel.



- Set clips located at both inside ends of instrument panel onto body side.

