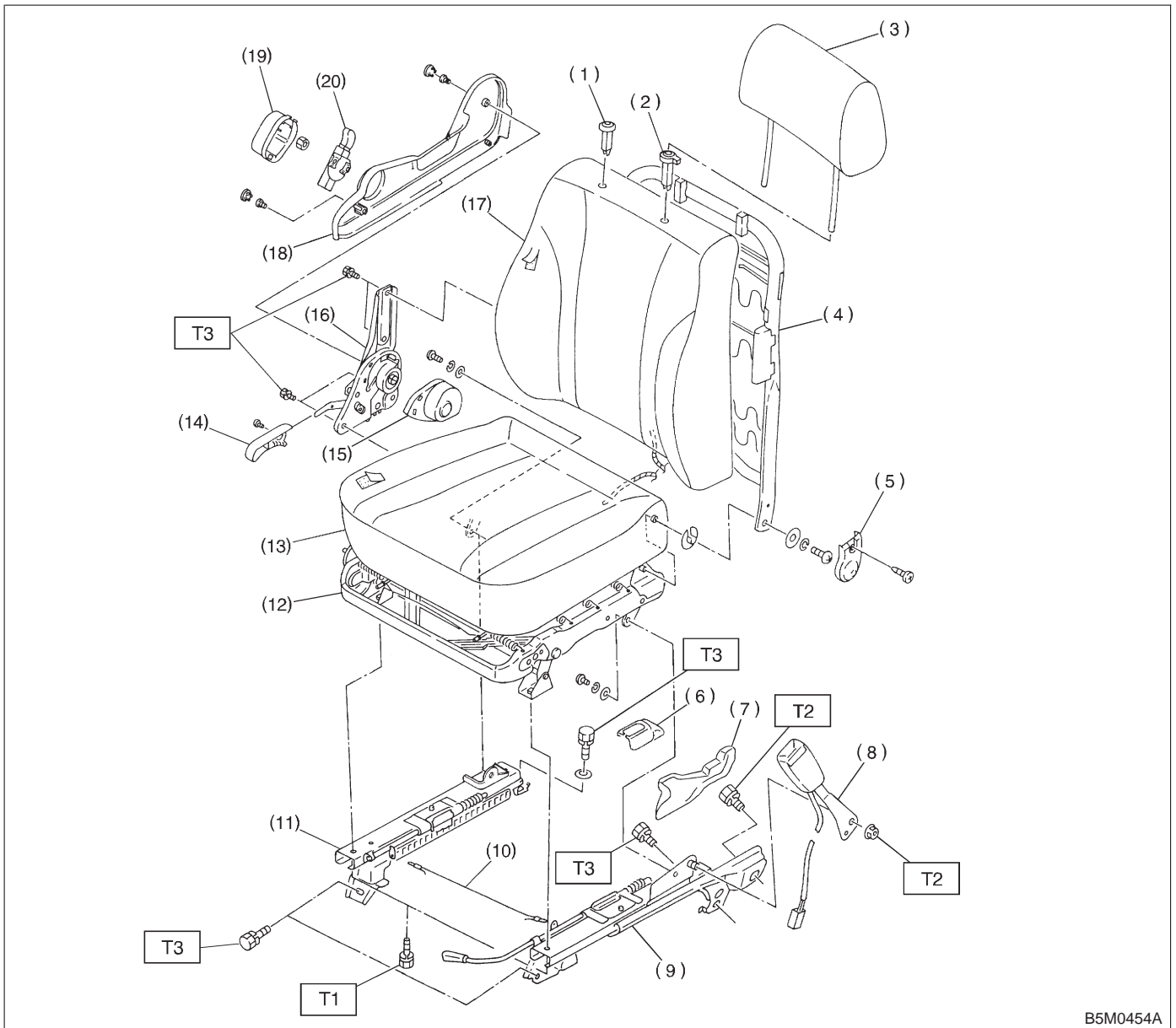


1. Front Seat



B5M0454A

- |                               |                               |                       |
|-------------------------------|-------------------------------|-----------------------|
| (1) Headrest free bushing     | (10) Connect wire             | (19) Tilt lever cover |
| (2) Headrest lock bushing     | (11) Outer slide rail ASSY    | (20) Tilt lever ASSY  |
| (3) Headrest ASSY             | (12) Front cushion frame ASSY |                       |
| (4) Front backrest frame ASSY | (13) Cushion ASSY             |                       |
| (5) Protector                 | (14) Reclining lever          |                       |
| (6) Cover (Bolt) (outer)      | (15) Hinge spring cover       |                       |
| (7) Cover (Bolt) (inner)      | (16) Reclining hinge ASSY     |                       |
| (8) Inner belt ASSY           | (17) Backrest ASSY            |                       |
| (9) Inner slide rail ASSY     | (18) Hinge cover              |                       |

**Tightening torque: N-m (kg-m, ft-lb)**

**T1: 23±5 (2.3±0.5, 16.6±3.6)**

**T2: 29±7 (3.0±0.7, 21.7±5.1)**

**T3: 52±10 (5.3±1.0, 38±7)**