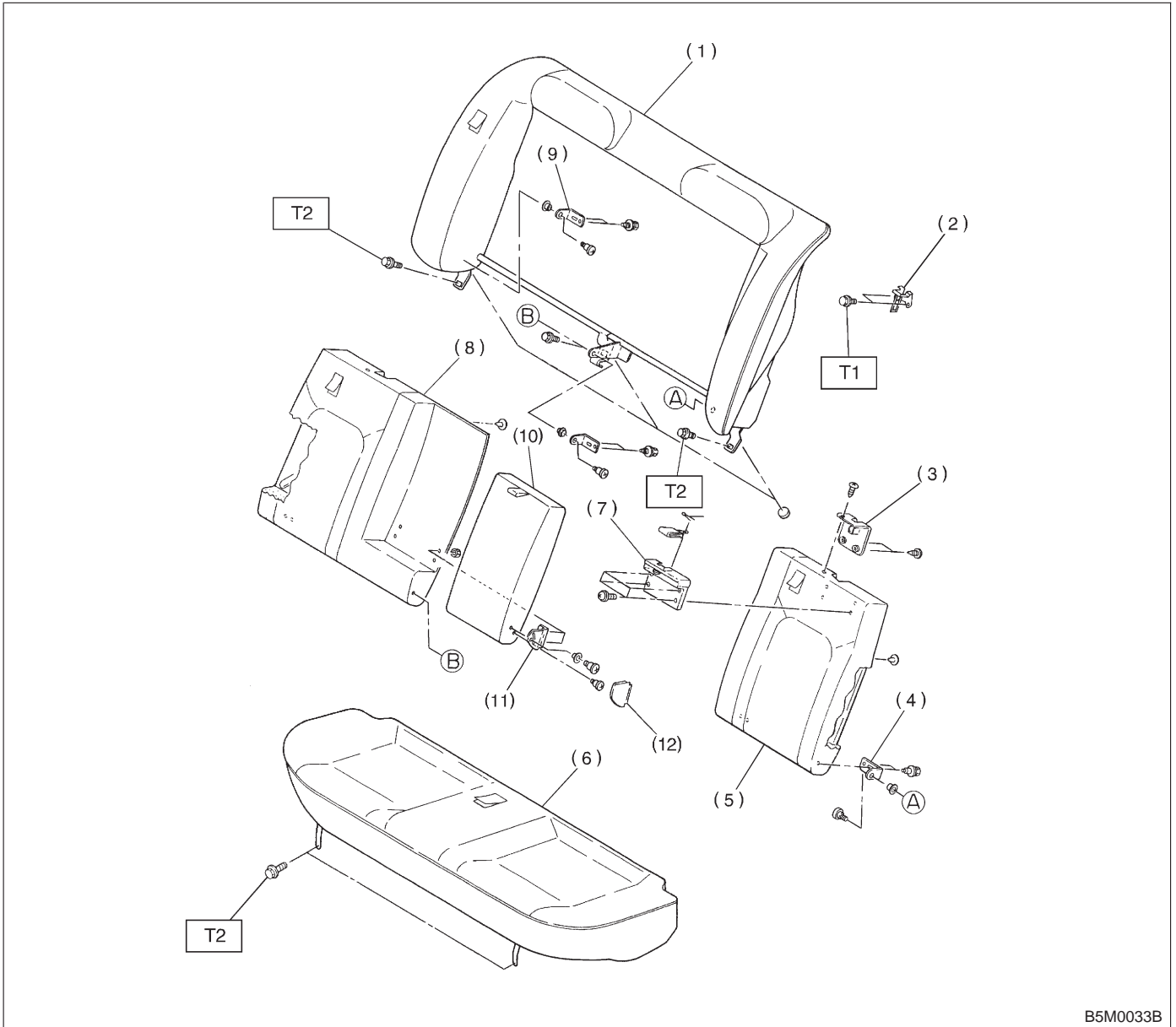


2. Rear Seat

A: SEDAN



B5M0033B

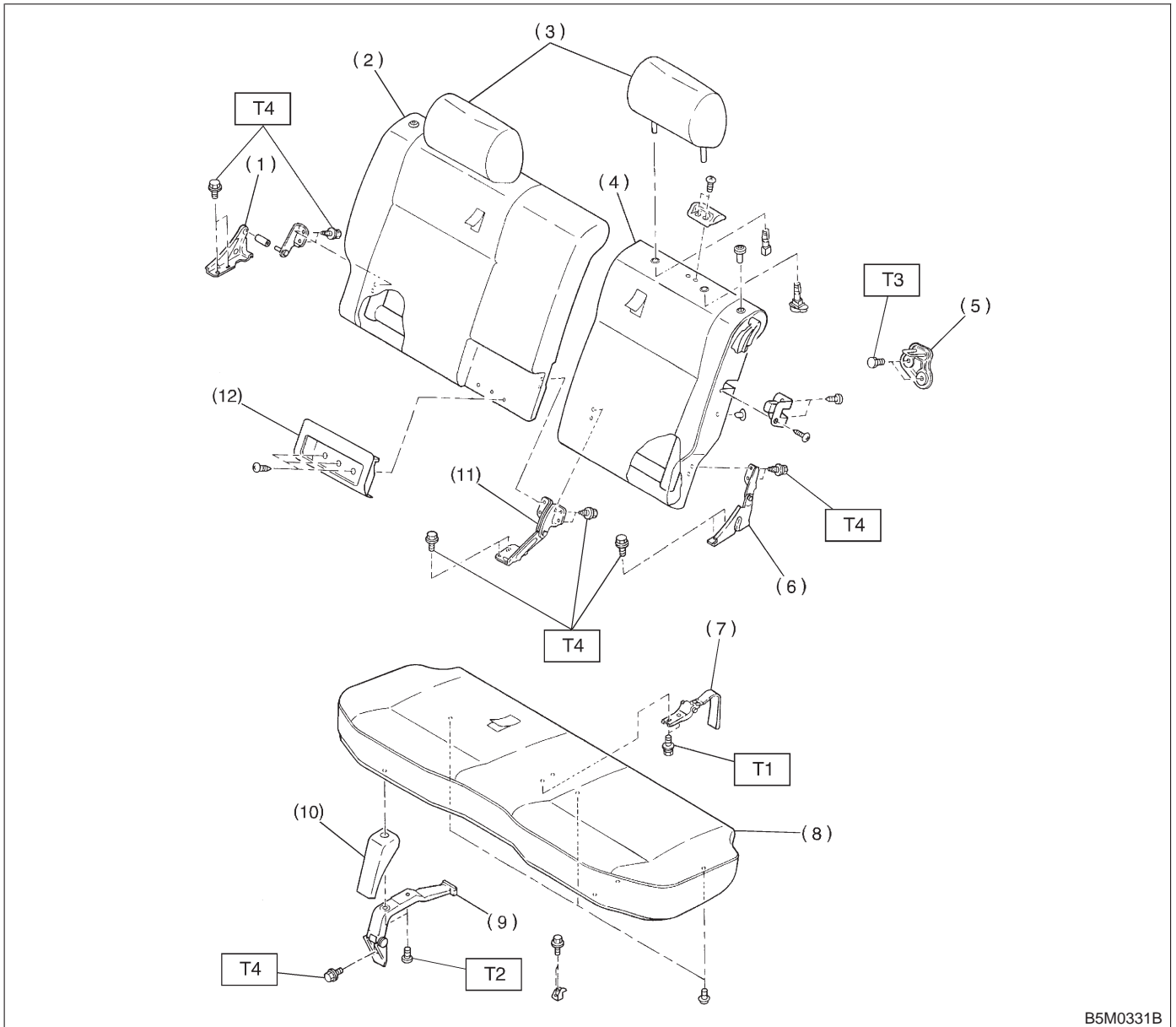
- | | |
|-------------------|-------------------|
| (1) Backrest | (7) Lock ASSY |
| (2) Striker | (8) Backrest (RH) |
| (3) Lock cover | (9) Bracket (RH) |
| (4) Bracket (LH) | (10) Arm rest |
| (5) Backrest (LH) | (11) Hinge |
| (6) Cushion | (12) Cover |

Tightening torque: N-m (kg-m, ft-lb)

T1: 10±3 (1.0±0.3, 7.2±2.2)

T2: 25±7 (2.5±0.7, 18.1±5.1)

B: WAGON



- | | |
|------------------------|----------------------------|
| (1) Hinge bracket (RH) | (8) Rear cushion |
| (2) Backrest (RH) | (9) Hinge |
| (3) Pillow | (10) Hinge cover |
| (4) Backrest (LH) | (11) Backrest center hinge |
| (5) Striker | (12) Pocket |
| (6) Hinge bracket (LH) | |
| (7) Lock hinge | |

Tightening torque: N-m (kg-m, ft-lb)

T1: 2±1 (0.2±0.1, 1.4±0.7)

T2: 5.9±1.5 (0.6±0.15, 4.3±1.1)

T3: 10±3 (1.0±0.3, 7.2±2.2)

T4: 25±7 (2.5±0.7, 18.1±5.1)