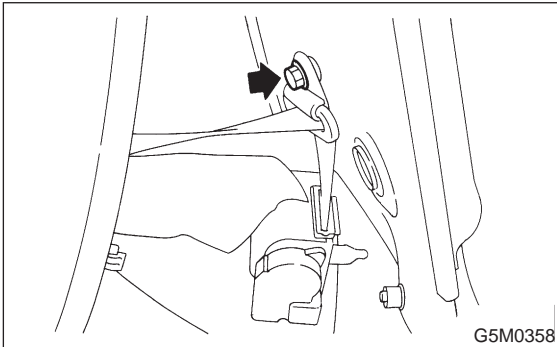


## 4. Rear Seat Belt

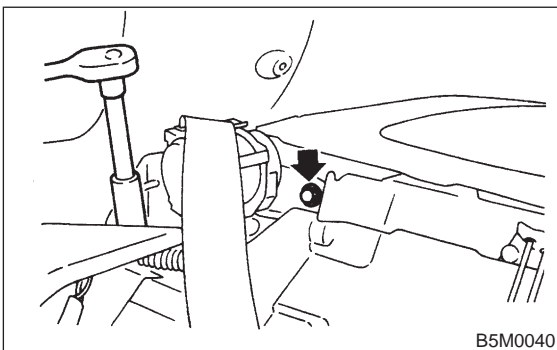
### A: REMOVAL AND INSTALLATION

#### 1. SEDAN

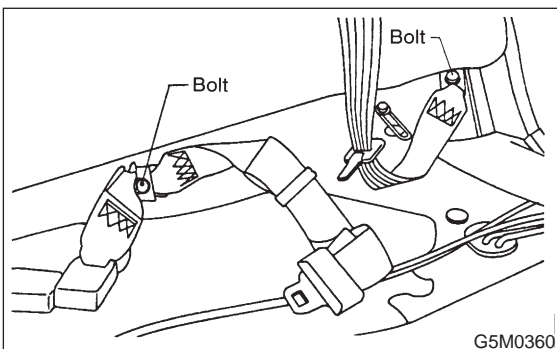
- 1) Remove rear cushion from vehicle.
- 2) Remove rear backrest from vehicle.
- 3) Remove rear pillar upper trim.
- 4) Remove outer anchor bolts.



- 5) Remove ELR.



- 6) Remove anchor bolt of outer belt and then remove outer belt assembly.
- 7) Remove inner belt.

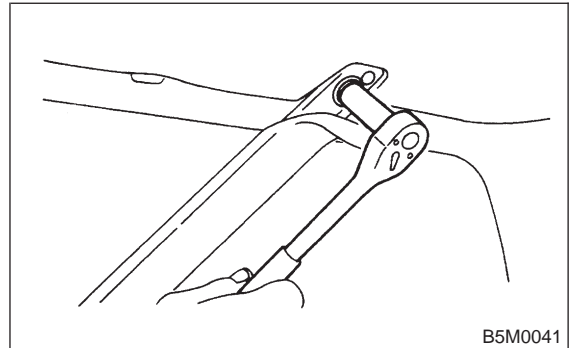


- 8) Installation is in the reverse order of removal.

#### 2. WAGON

- 1) Raise rear cushion.

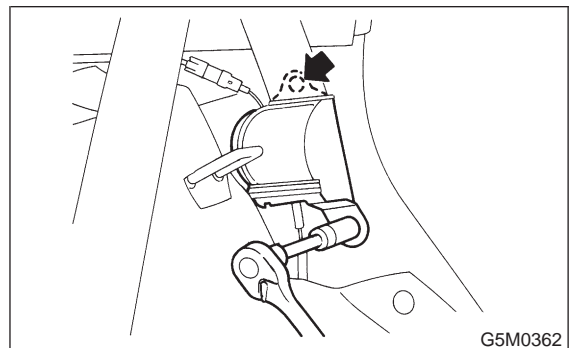
- 2) Remove shoulder anchor bolt.



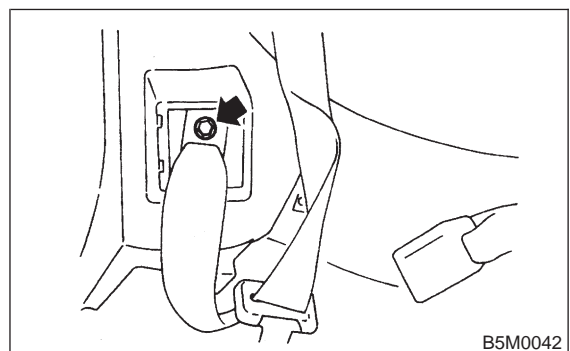
- 3) Remove cap strut.
- 4) Remove rear quarter upper front trim.
- 5) Remove ELR assembly.

#### CAUTION:

Remove outer seat belt and center seat belt in similar manner used to remove those from Sedan.



- 6) Remove lap anchor cover and then remove lower anchor bolt.



- 7) Remove outer belt assembly.
- 8) Installation is in the reverse order of removal. Ensure that seat belt is properly reeled on and off after installation of ELR.

#### CAUTION:

- Be extremely careful not to confuse center seat anchor plate with outer seat anchor plate during installation.
- Ensure that seat belts are free from twisting after installation.

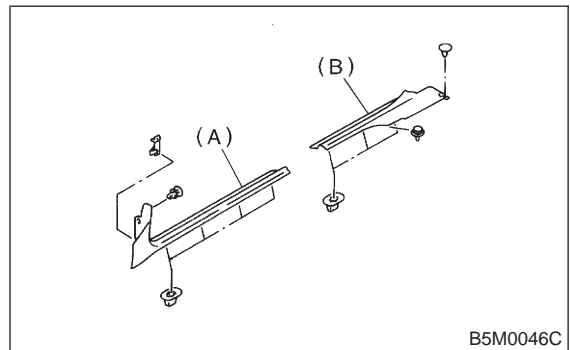
- Ensure that tongues, buckles and belts are properly placed on seat.

## 5. Inner Trim Panel

### A: REMOVAL AND INSTALLATION

#### 1. SIDE SILL COVER

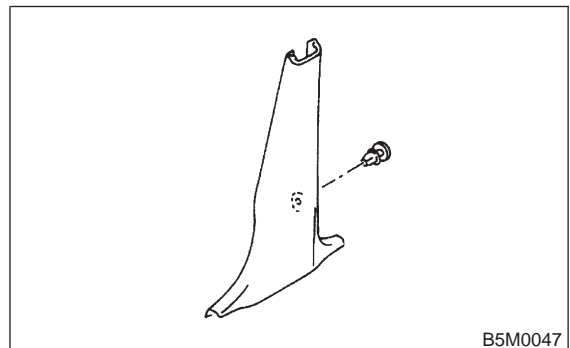
- 1) Remove front pillar lower trim (A).
- 2) Remove side sill rear upper cover trim (B).



- 3) Installation is in the reverse order of removal.

#### 2. CENTER PILLAR LOWER

- 1) Remove center pillar lower trim.



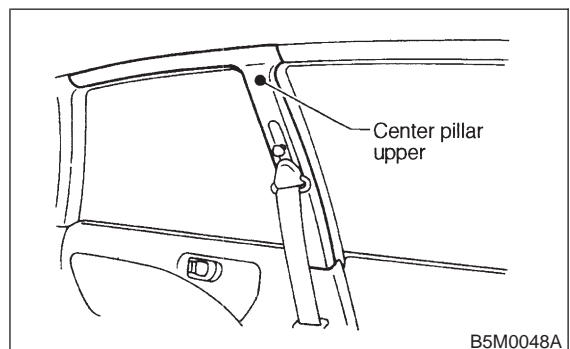
- 2) Installation is in the reverse order of removal.

#### 3. CENTER PILLAR UPPER

NOTE:

<Ref. to 5-3 [C500].>

- 1) Remove front pillar upper trim.
- 2) Remove upper anchor of front seat belt.
- 3) Remove center pillar upper trim panel.



- 4) Installation is in the reverse order of removal.