

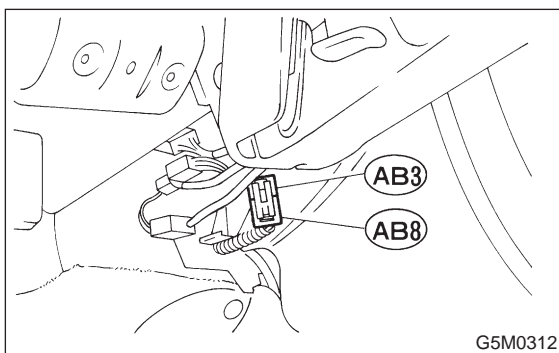
## 4. Main Harness

### A: REMOVAL AND INSTALLATION

- 1) Turn ignition switch off.
- 2) Disconnect ground cable from battery and wait for at least 20 seconds before starting work.
- 3) Remove lower cover. <Ref. to 5-4 [W1A0].> Disconnect airbag connector (AB3) and (AB8) below steering column.

**CAUTION:**

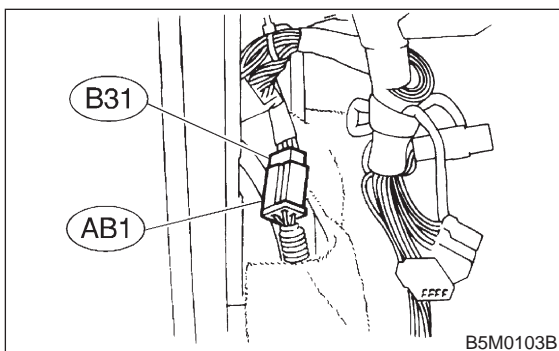
**Do not reconnect airbag connector at steering column until main harness are securely re-installed.**



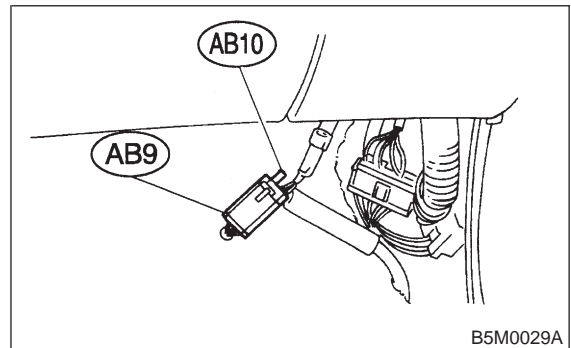
- 4) Remove console box. <Ref. to 5-4 [W1A0].>
- 5) Disconnect connector from airbag control module.
- 6) Disconnect body harness connector (B31) from connector (AB1).

**NOTE:**

The following procedures for removal are for "LHD model". The procedures for "RHD model" are symmetrically opposite.

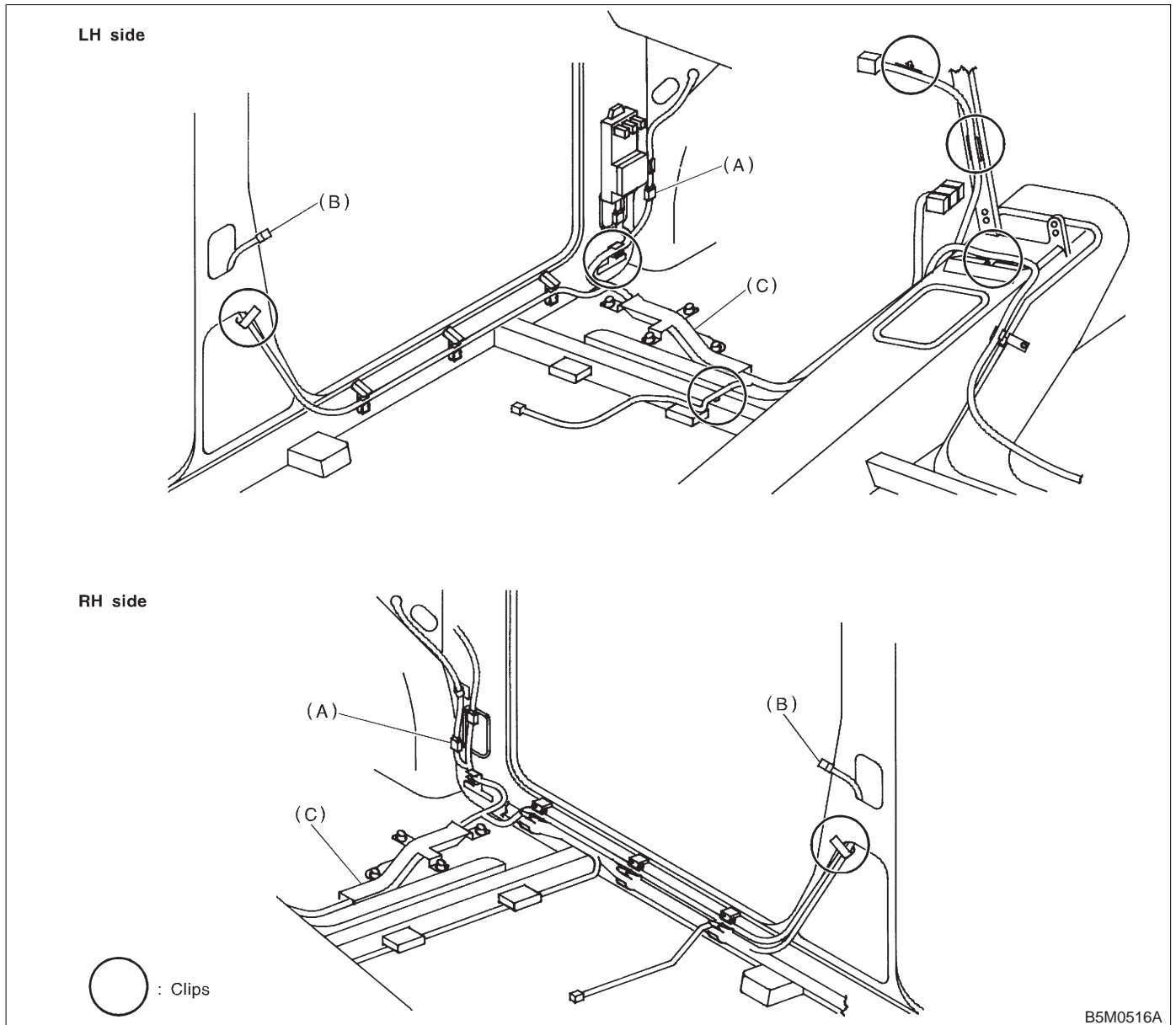


- 7) Remove front side sill cover and then disconnect airbag connector (AB9) and (AB10). <Ref. to 5-5 [M2F2].>



- 8) Roll up floor mat and side sill lower cover of both side and then remove main harness.

- 9) Disconnect front sub sensor connector (A), side airbag sensor connector (B) (side airbag equipped model) and then remove protector (C).
- 10) Detach clips and then remove airbag main harness.



- 11) Installation is in the reverse order of removal.