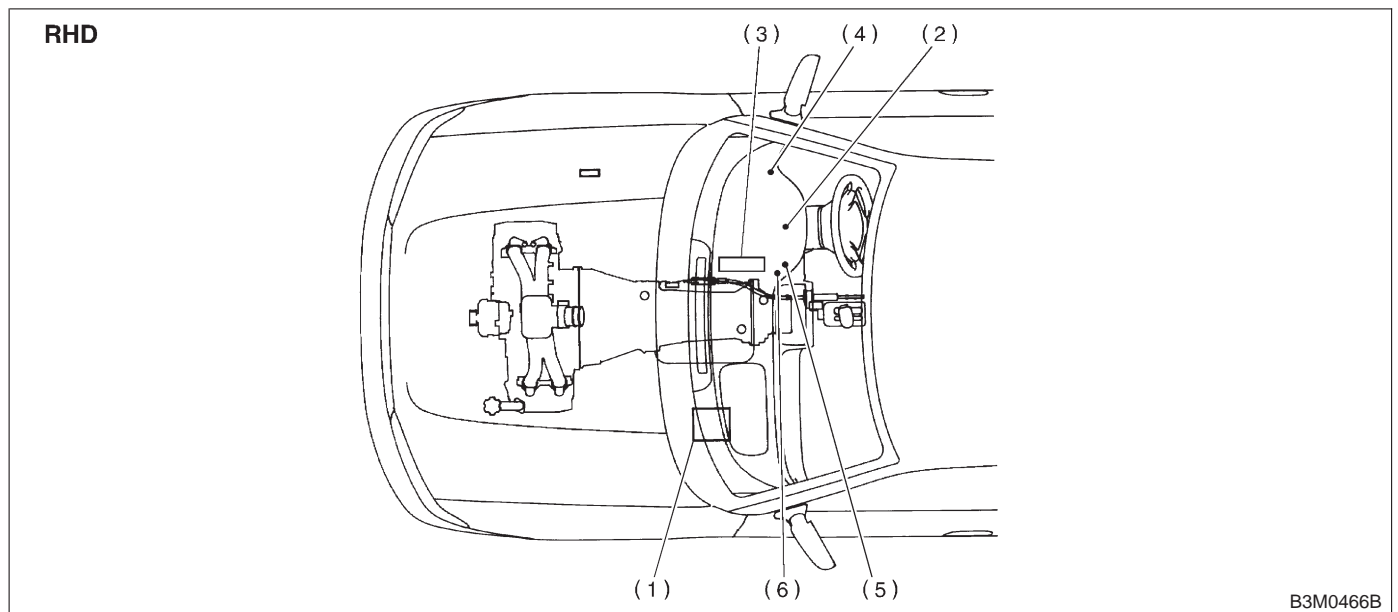
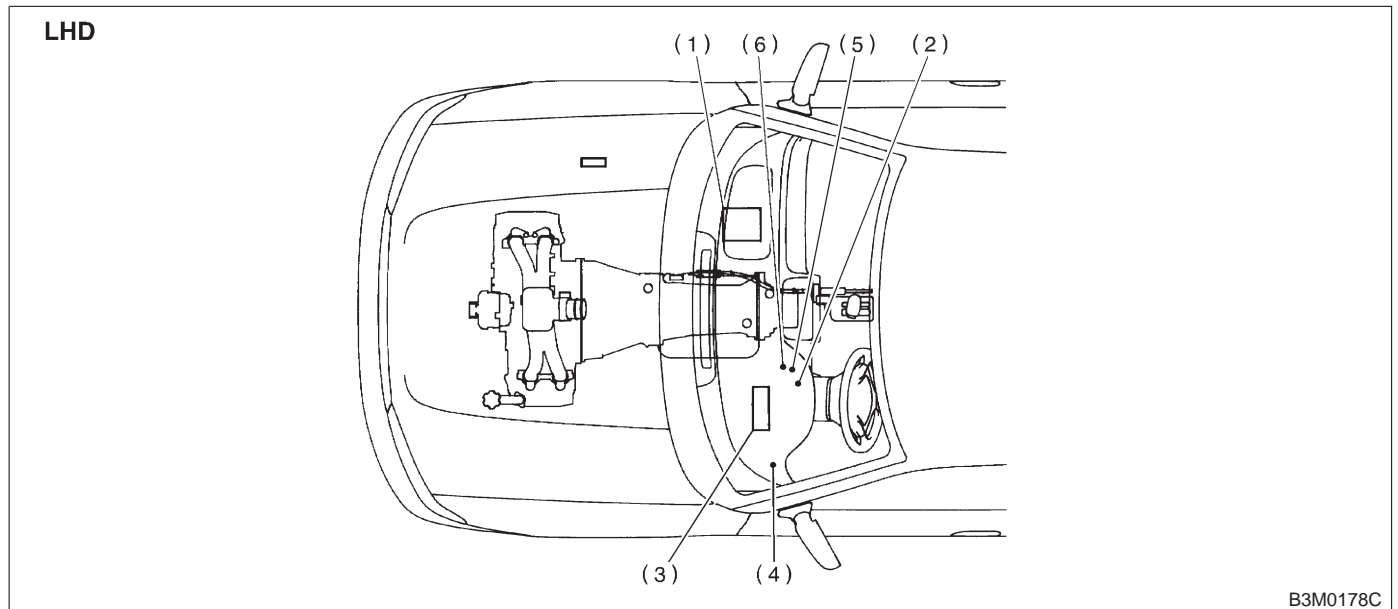


## 3-2 [T3A0] AUTOMATIC TRANSMISSION AND DIFFERENTIAL

### 3. Electrical Components Location

## 3. Electrical Components Location

### A: MODULE



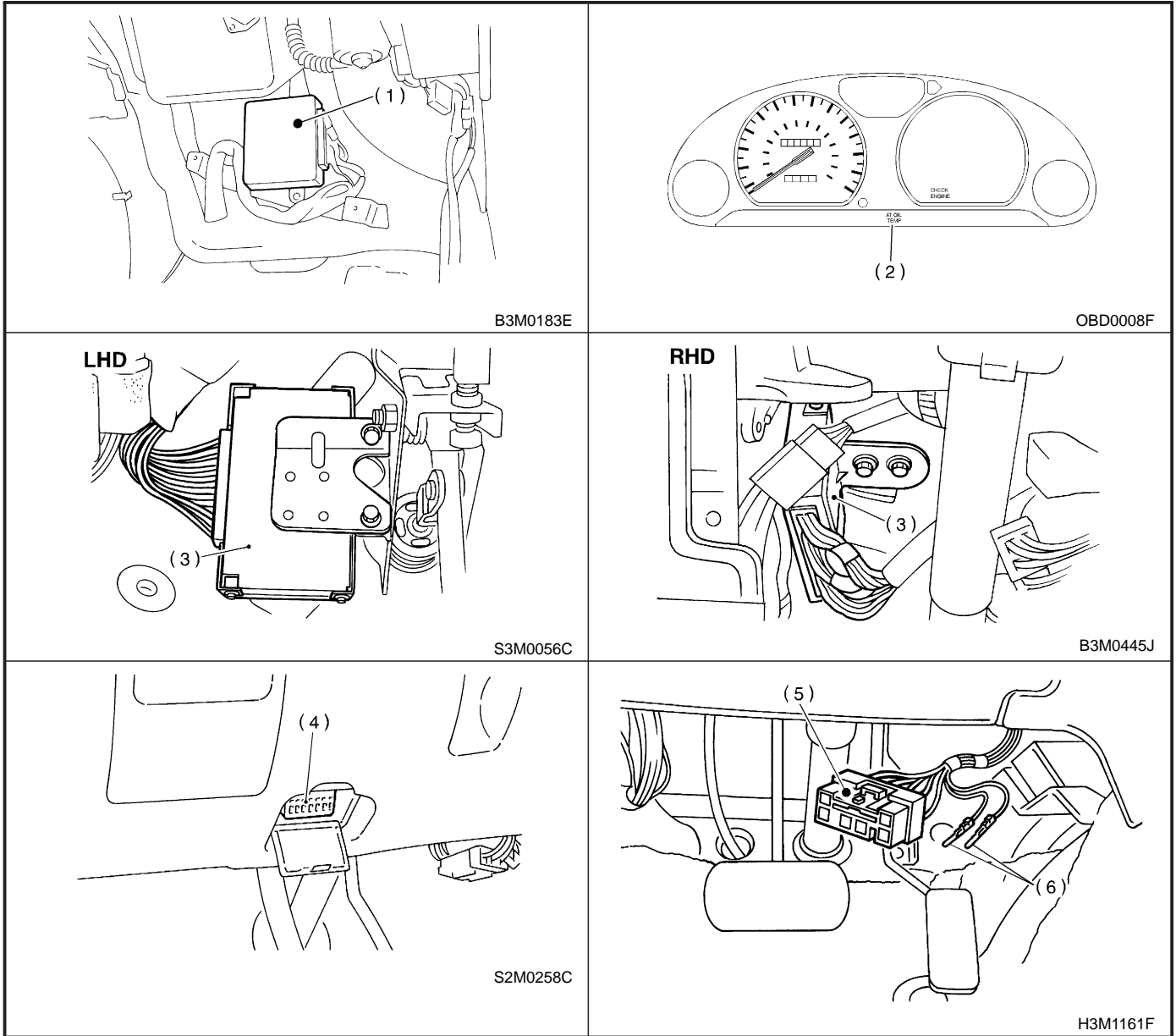
- (1) ECM
- (2) AT OIL TEMP indicator light (AT diagnostic indicator light)

- (3) TCM

- (4) Data link connector (for Subaru select monitor and OBD-II general scan tool)
- (5) Diagnosis connector
- (6) Diagnosis terminal

# AUTOMATIC TRANSMISSION AND DIFFERENTIAL [T3A0] 3-2

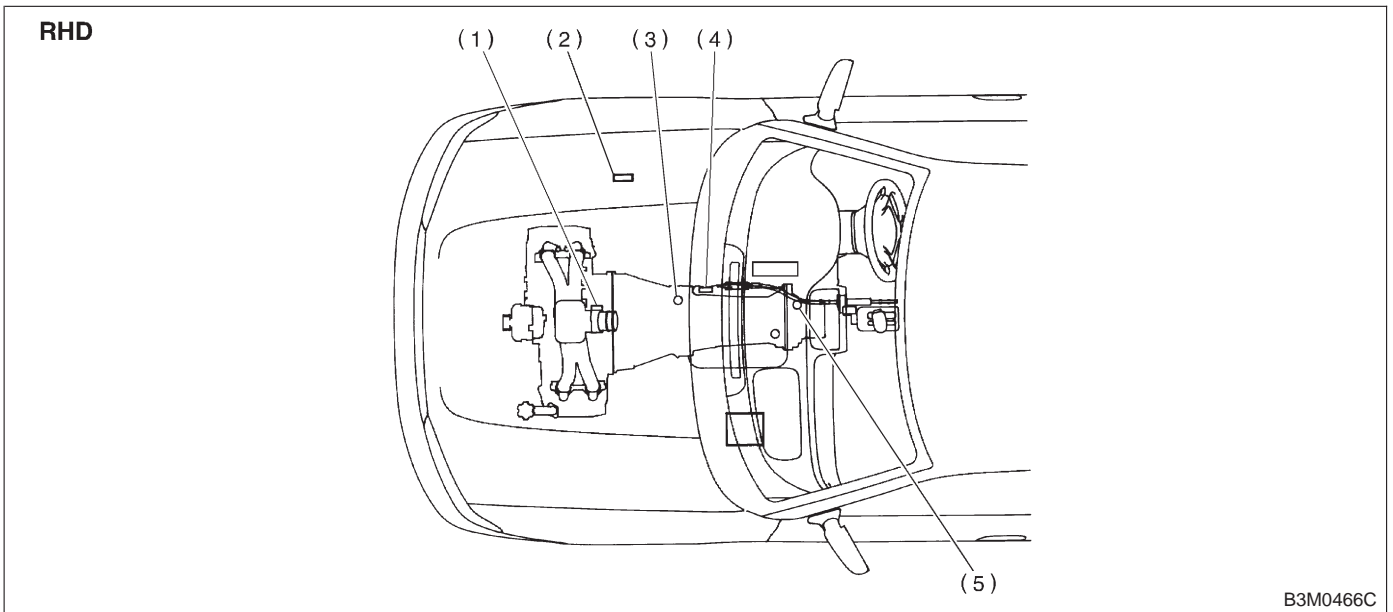
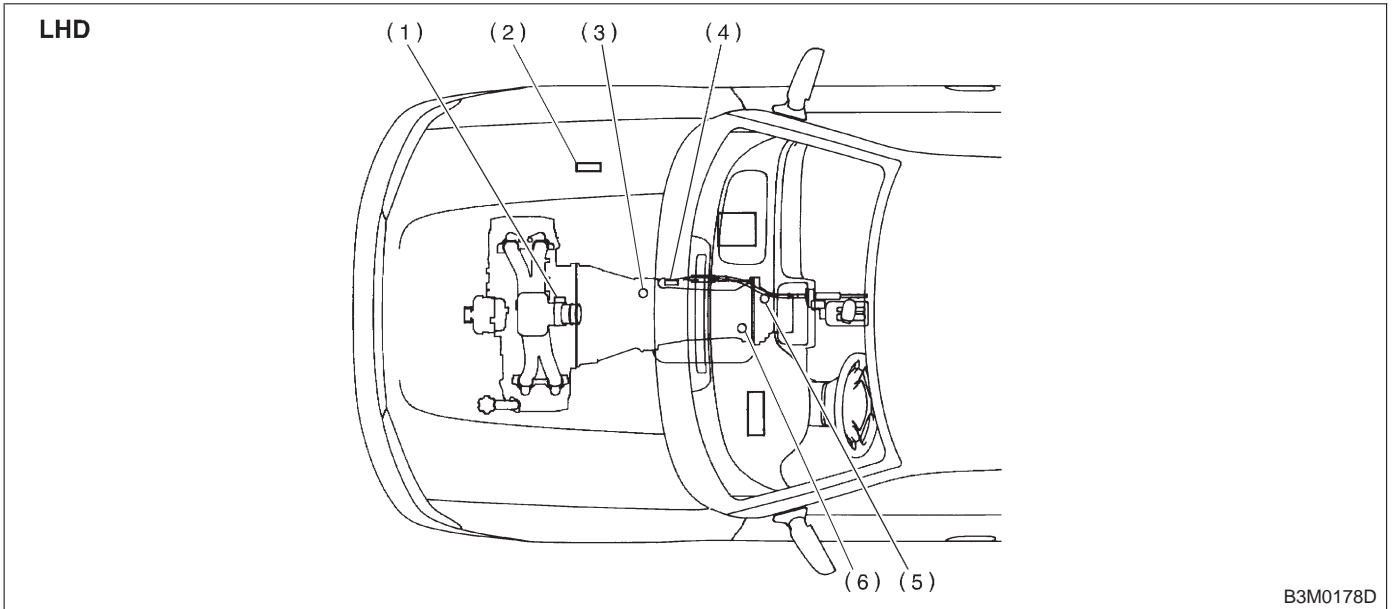
## 3. Electrical Components Location



# 3-2 [T3B0] AUTOMATIC TRANSMISSION AND DIFFERENTIAL

## 3. Electrical Components Location

### B: SENSOR

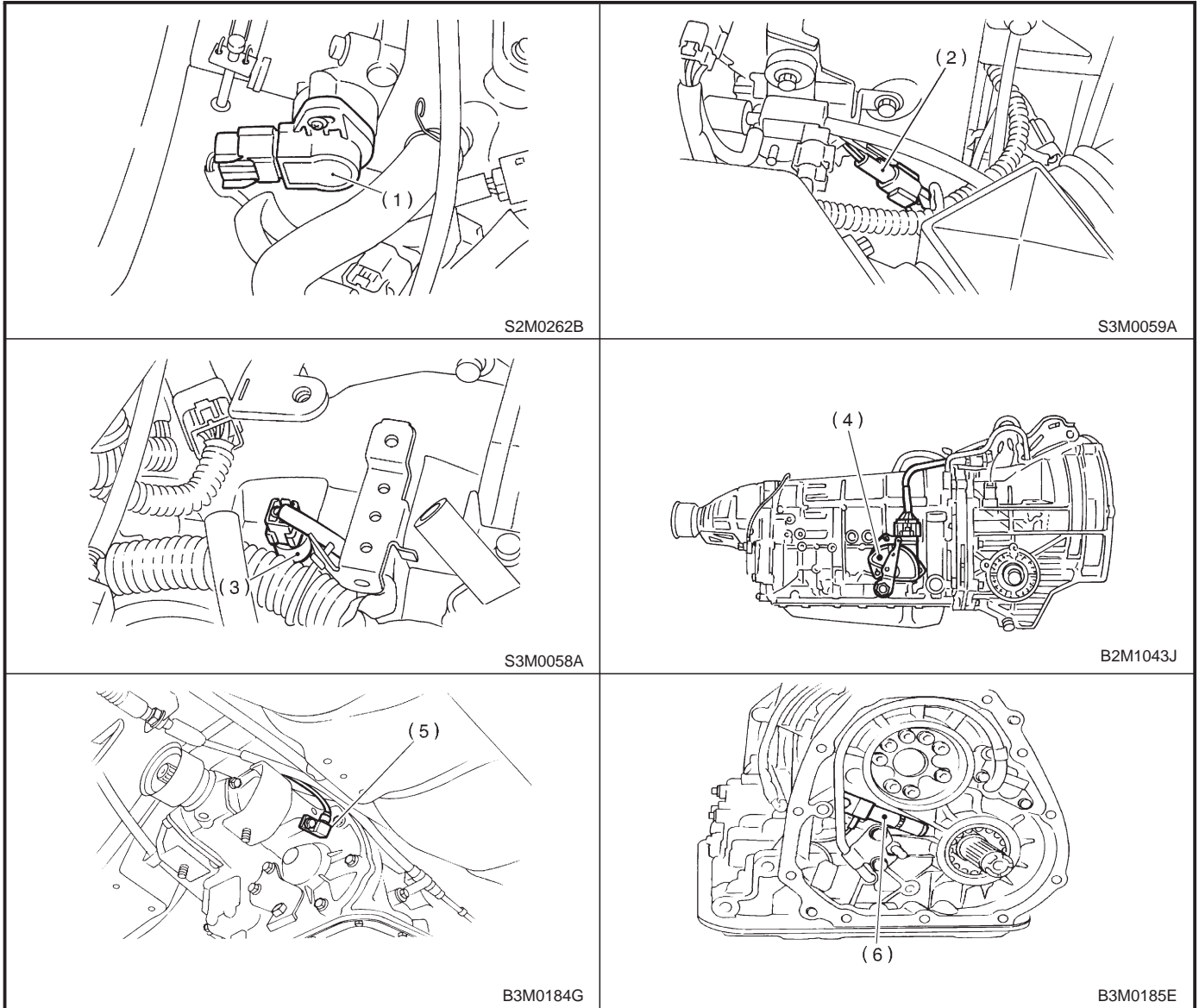


(1) Throttle position sensor  
(2) Dropping resistor

(3) Vehicle speed sensor 2  
(4) Inhibitor switch

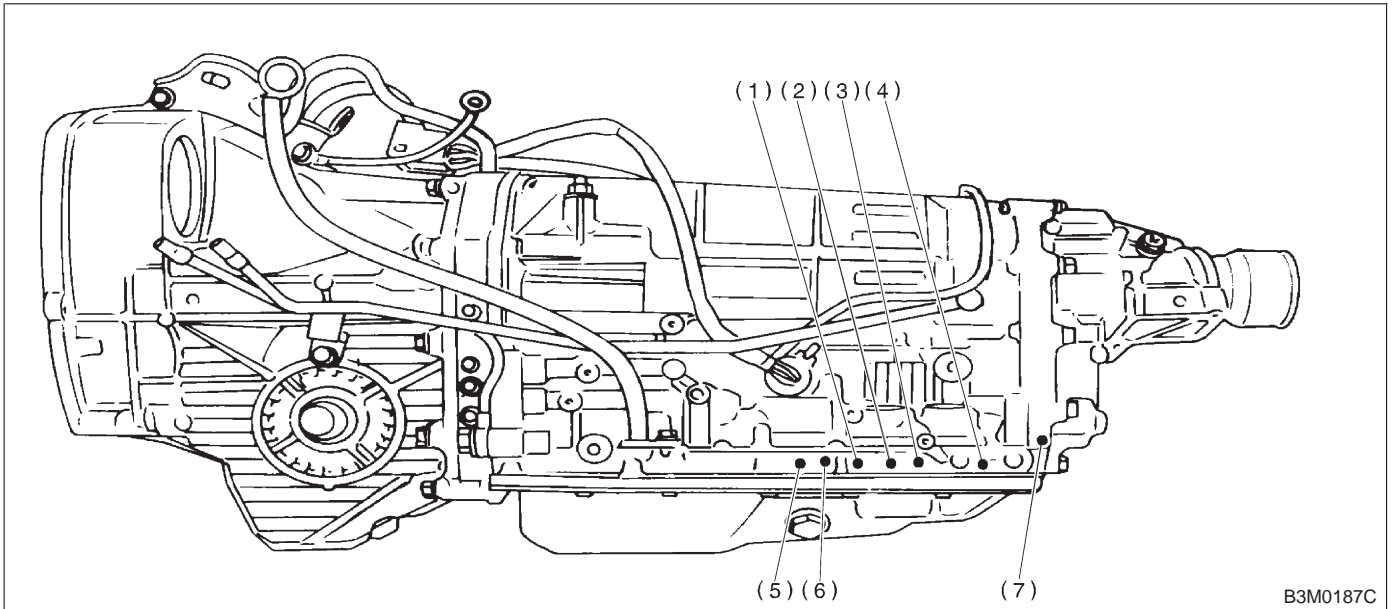
(5) Vehicle speed sensor 1 (AWD)  
(6) Vehicle speed sensor 1 (FWD)

**AUTOMATIC TRANSMISSION AND DIFFERENTIAL** [T3B0] **3-2**  
3. Electrical Components Location



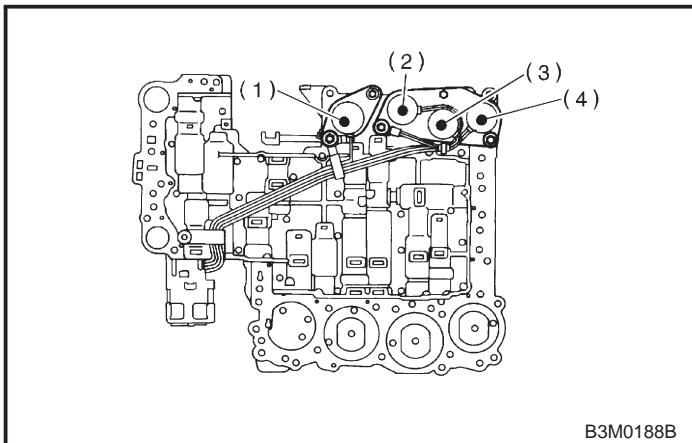
**3-2 [T3C0] AUTOMATIC TRANSMISSION AND DIFFERENTIAL**  
 3. Electrical Components Location

**C: SOLENOID**

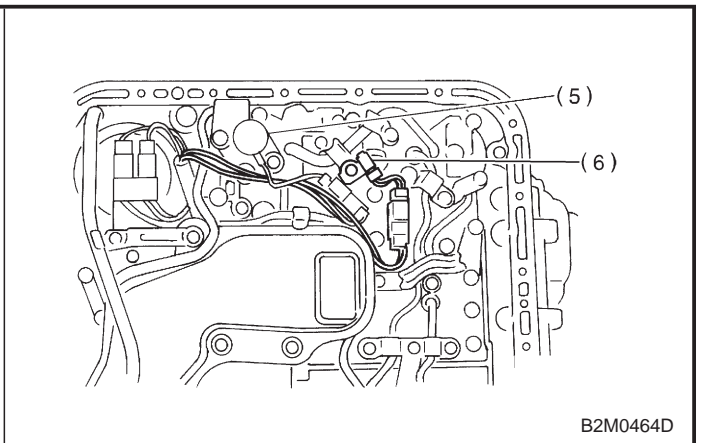


B3M0187C

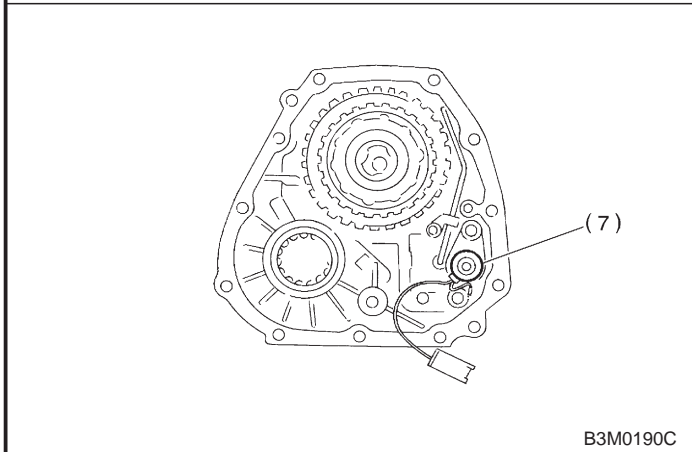
- |                     |                            |                           |
|---------------------|----------------------------|---------------------------|
| (1) Duty solenoid A | (4) Solenoid 3             | (7) Duty solenoid C (AWD) |
| (2) Solenoid 2      | (5) Duty solenoid B        |                           |
| (3) Solenoid 1      | (6) ATF temperature sensor |                           |



B3M0188B



B2M0464D



B3M0190C

**SUBARU.**