

6-2a [T7A1] BODY ELECTRICAL SYSTEM (CRUISE CONTROL)

7. Diagnostics Chart for Power Line

7. Diagnostics Chart for Power Line

A: BASIC DIAGNOSTICS PROCEDURE

7A1 : DRIVE AT CRUISE SPEED.

- CHECK** : *Can cruise speed be set?*
- YES** : Go to "CHECK INDICATOR AND CIRCUIT IN CRUISE CONTROL MAIN SWITCH". <Ref. to 6-2a [T7B0].>
- NO** : Go to "CHECK CRUISE CONTROL MAIN SWITCH". <Ref. to 6-2a [T7C0].>

B: CHECK INDICATOR AND CIRCUIT IN CRUISE CONTROL MAIN SWITCH

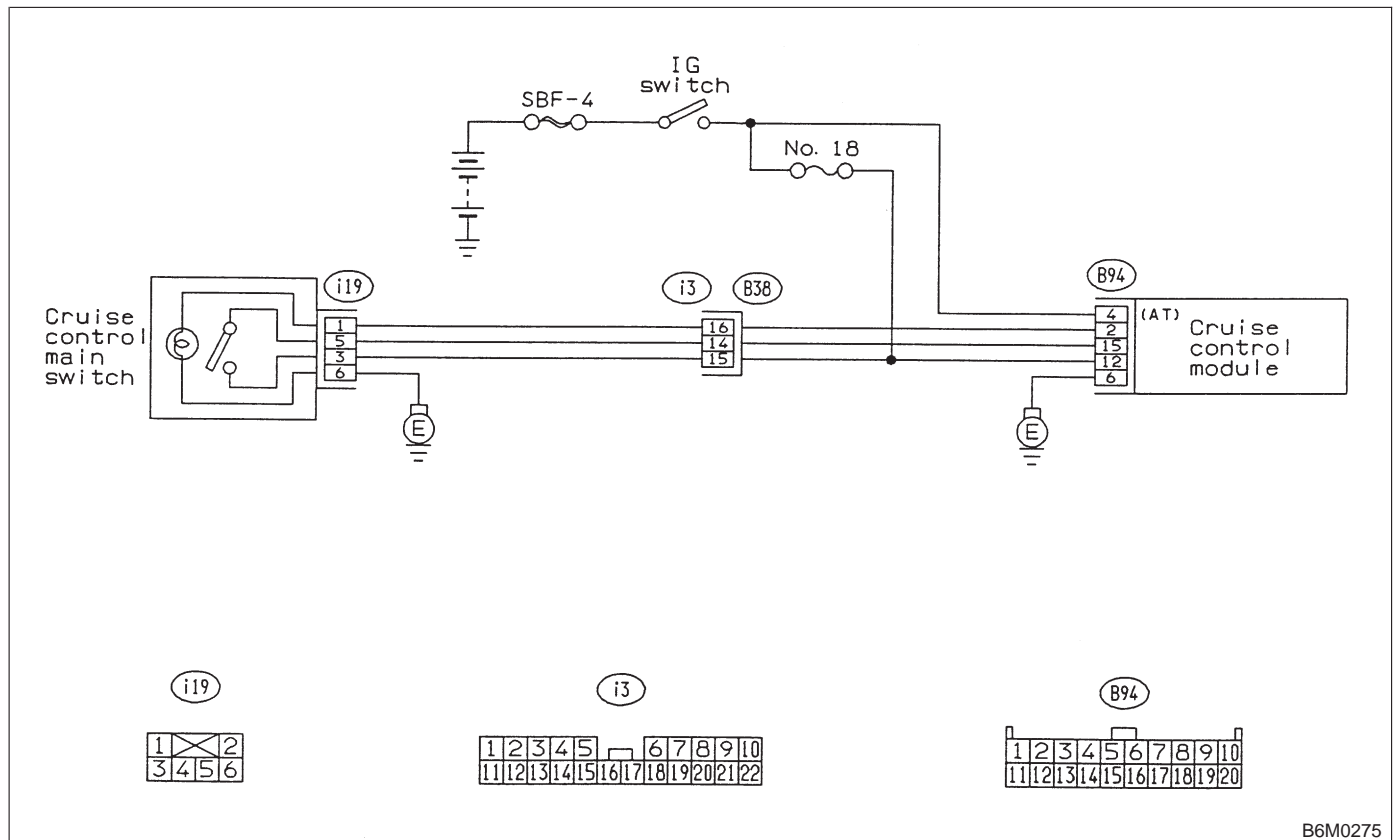
DIAGNOSIS:

- Bulb failure or open harness of the indicator circuit in the cruise control main switch.

TROUBLE SYMPTOM:

- Cruise control can be set, normally indicator does not come on. (When main switch is pressed.)

WIRING DIAGRAM:



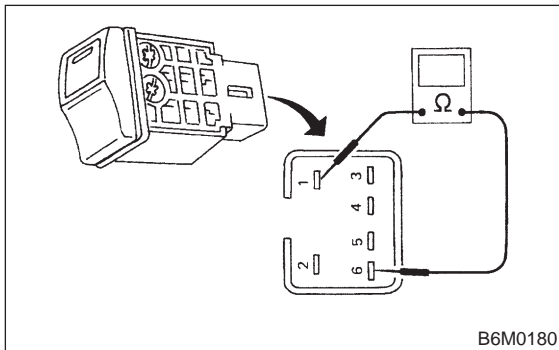
B6M0275

7B1 : CHECK CRUISE CONTROL MAIN SWITCH.

- 1) Remove cruise control main switch.
- 2) Measure resistance between cruise control main switch terminals.

Terminals

No. 1 — No. 6:



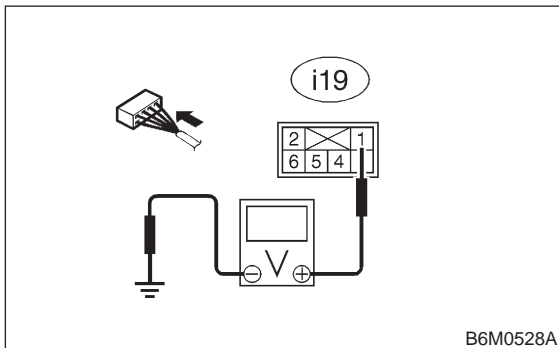
- CHECK** : Is resistance between 10 and 80 Ω?
- YES** : Go to step 7B2.
- NO** : Replace switch illumination bulb.

7B2 : CHECK CIRCUIT BETWEEN CRUISE CONTROL MODULE AND CRUISE CONTROL MAIN SWITCH INDICATOR LIGHT.

- 1) Turn the ignition switch to ON.
- 2) Turn cruise control main switch to ON.
- 3) Measure voltage between cruise control main switch connector and the chassis ground.

Connector & terminal

(i19) No. 1 (+) — Chassis ground (-):



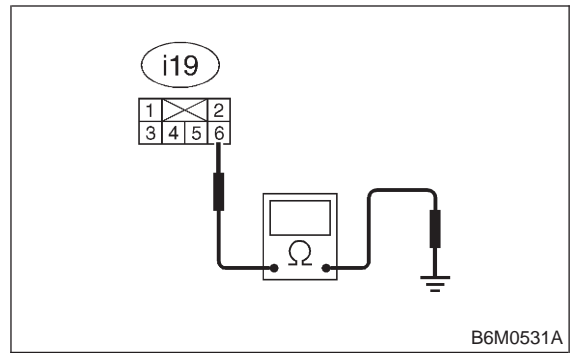
- CHECK** : Is voltage more than 10 V?
- YES** : Go to step 7B3.
- NO** : Repair or replace wiring harness.

7B3 : CHECK CIRCUIT BETWEEN CRUISE CONTROL MODULE AND CRUISE CONTROL MAIN SWITCH INDICATOR LIGHT.

- 1) Turn the ignition switch and cruise control main switch to OFF.
- 2) Remove the connector from the cruise control main switch.
- 3) Measure resistance of ground circuit between the cruise control main switch connector and chassis ground.

Connector & terminal

(i19) No. 6 (+) — Chassis ground (-):



- CHECK** : Is resistance less than 10 Ω?
- YES** : Replace cruise control module.
- NO** : Repair or replace wiring harness.

6-2a [T7C0] BODY ELECTRICAL SYSTEM (CRUISE CONTROL)

7. Diagnostics Chart for Power Line

C: CHECK CRUISE CONTROL MAIN SWITCH

DIAGNOSIS:

- Faulty cruise control main switch, or open harness.

TROUBLE SYMPTOM:

- Cruise control main switch is not turned ON and cruise control cannot be set.

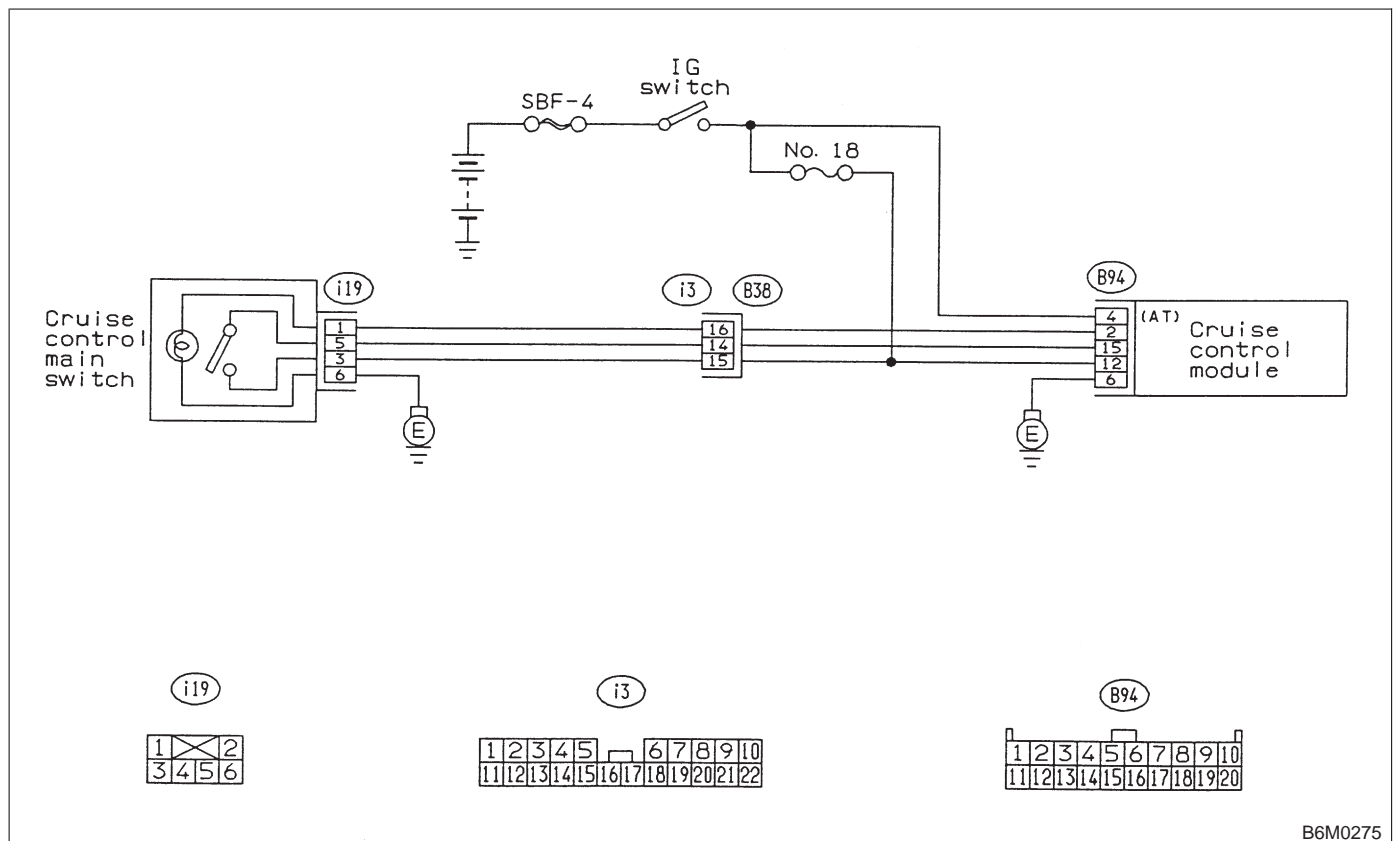
NOTE:

When the main relay (built-in cruise control module) operates, the main switch circuit is in normal condition.

The main relay operation can be checked by hearing the operation sounds.

This operation sounds will be heard when ignition switch and cruise control main switch is turned to ON.

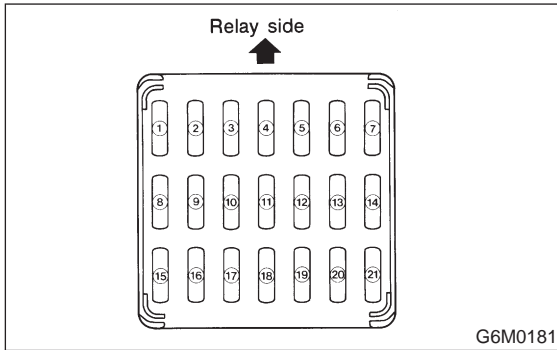
WIRING DIAGRAM:



B6M0275

7C1 : CHECK FUSE.

Check fuse No. 18.



- CHECK** : *Is fuse No. 18 blown?*
- YES** : Replace fuse No. 18. Go to step **7C2**.
- NO** : Go to step **7C2**.

7C2 : CHECK POWER SUPPLY.

- 1) Turn ignition switch to ON.
- 2) Measure voltage between fuse & relay box connector and chassis ground.

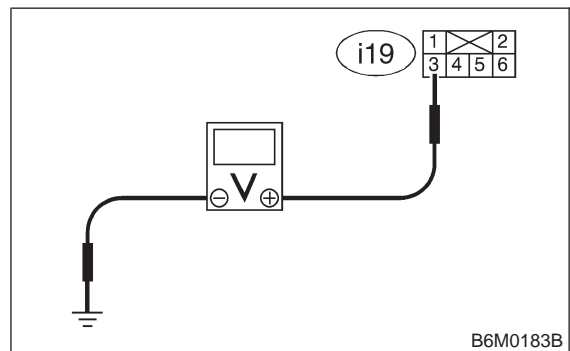
Connector & terminal
(B51) No. 4 (+) — Chassis ground (-):

- CHECK** : *Is voltage more than 10 V?*
- YES** : Go to step **7C3**.
- NO** : Replace fuse No. 18. When fuse No. 18 is blown again, repair shorted parts of circuit.

7C3 : CHECK CRUISE CONTROL MAIN SWITCH.

- 1) Turn ignition switch to OFF.
- 2) Remove cruise control main switch and disconnect connector.
- 3) Turn ignition switch to ON.
- 4) Measure voltage between cruise control main switch connector and chassis ground.

Connector & terminal
(i19) No. 3 (+) — Chassis ground (-):

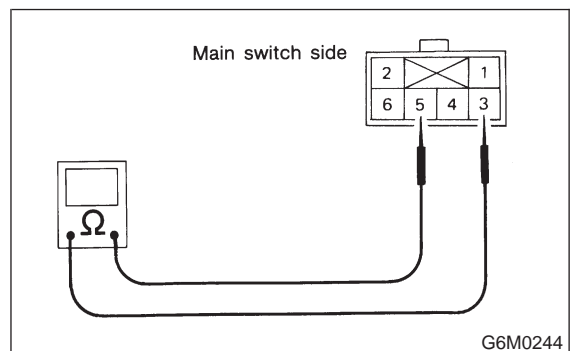


- CHECK** : *Is voltage more than 10 V?*
- YES** : Go to step **7C4**.
- NO** : Replace cruise control main switch.

7C4 : CHECK CRUISE CONTROL MAIN SWITCH.

Measure resistance between cruise control main switch terminals.

Terminals
No. 3 — No. 5:



- CHECK** : *Is resistance less than 10 Ω? (When switch is ON.)*
- YES** : Go to step **7C5**.
- NO** : Replace cruise control main switch.

6-2a [T7C5] BODY ELECTRICAL SYSTEM (CRUISE CONTROL)

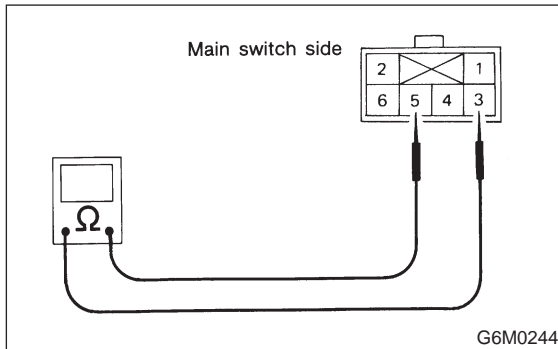
7. Diagnostics Chart for Power Line

7C5 : CHECK CRUISE CONTROL MAIN SWITCH.

Measure resistance between cruise control main switch terminals.

Terminals

No. 3 — No. 5:



CHECK : Is resistance more than 1 MΩ? (When switch is OFF.)

YES : Go to step 7C6.

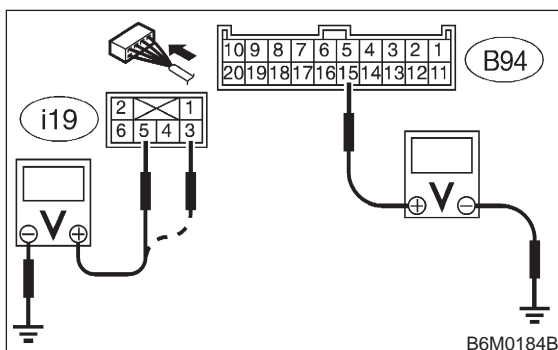
NO : Replace cruise control main switch.

7C6 : CHECK HARNESS BETWEEN CRUISE CONTROL MAIN SWITCH CONNECTOR AND CHASSIS GROUND.

- 1) Connect connector.
- 2) Turn ignition switch to ON.
- 3) Turn cruise control main switch to ON.
- 4) Measure voltage between terminal of cruise control main switch and chassis ground.

Connector & terminal

(i19) No. 3 (+) — Chassis ground (-):



CHECK : Is voltage more than 10 V?

YES : Go to step 7C7.

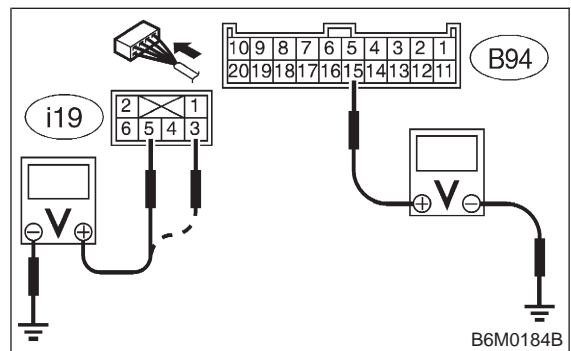
NO : Repair or replace wiring harness.

7C7 : CHECK HARNESS BETWEEN CRUISE CONTROL MAIN SWITCH CONNECTOR AND CHASSIS GROUND.

Measure voltage between terminal of cruise control main switch chassis ground.

Connector & terminal

(i19) No. 5 (+) — Chassis ground (-):



CHECK : Is voltage more than 10 V?

YES : Go to step 7C8.

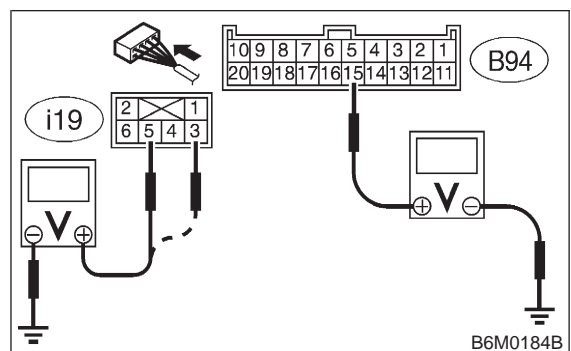
NO : Repair or replace wiring harness.

7C8 : CHECK HARNESS BETWEEN CRUISE CONTROL MODULE CONNECTOR AND CHASSIS GROUND.

Measure voltage between terminal of cruise control module and chassis ground.

Connector & terminal

(B94) No. 15 (+) — Chassis ground (-):



CHECK : Is voltage more than 10 V?

YES : Replace cruise control module.

NO : Repair or replace wiring harness.

NOTE:

Depress cruise control main switch with fingers while measuring voltage between (i19) No. 5 and chassis ground.