

4C18 : CHECK POWER WINDOW MAIN SWITCH.

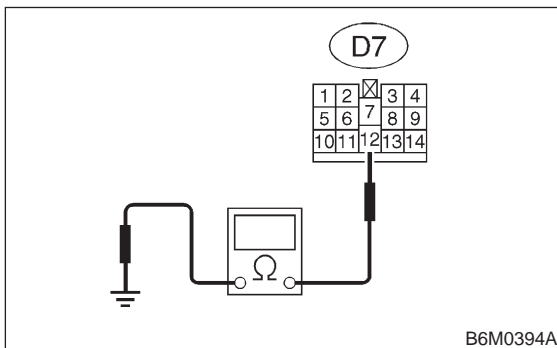
Perform inspection of power window main switch.
<Ref. to 6-2 [W17B1].>

- CHECK** : *Is power window main switch normal?*
- YES** : Go to step **4C19**.
- NO** : Replace power window main switch.

4C19 : CHECK GROUND CIRCUIT OF POWER WINDOW MAIN SWITCH.

- 1) Disconnect connector of power window main switch.
- 2) Measure resistance of harness connector between power window main switch and chassis ground.

Connector & terminal
(D7) No. 12 (+) — Chassis ground (-):



- CHECK** : *Is the resistance less than 10 Ω?*
- YES** : System circuit is normal but mechanical trouble may be caused in door window system such as break of window regulator.
- NO** : Repair wiring harness.

5. Remote Controlled Rearview Mirror

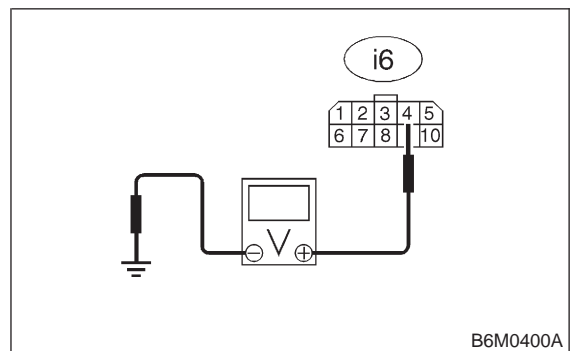
A: DIAGNOSTICS PROCEDURE

5A1 : CHECK FUSE AND POWER SUPPLY FOR REMOTE CONTROLLED REARVIEW MIRROR SWITCH.

- 1) Check fuse No. 3.
- 2) Disconnect connector of rearview mirror switch.
- 3) Turn ignition switch to ON.
- 4) Measure voltage between rearview mirror switch connector and chassis ground.

Connector & terminal

(i6) No. 4 (+) — Chassis ground (-):



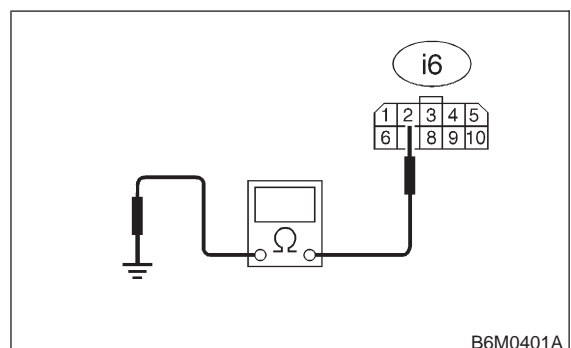
- CHECK** : *Is the voltage more than 10 V?*
- YES** : Go to step **5A2**.
- NO** : Replace fuse or repair wiring harness.

5A2 : CHECK GROUND CIRCUIT OF REARVIEW MIRROR SWITCH.

- 1) Disconnect connector of rearview mirror switch.
- 2) Measure resistance of harness connector between rearview mirror switch and chassis ground.

Connector & terminal

(i6) No.2 (+) — Chassis ground (-):



- CHECK** : *Is the resistance less than 10 Ω?*

6-2b [T5A3] BODY ELECTRICAL SYSTEM (ELECTRICAL PARTS)

5. Remote Controlled Rearview Mirror

- YES** : Go to step 5A3.
NO : Repair wiring harness.

5A3 : CHECK REARVIEW MIRROR SWITCH.

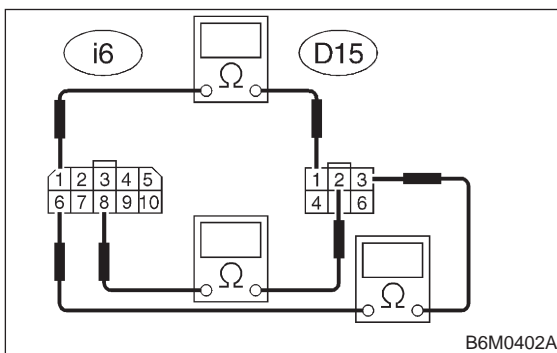
Perform inspection of rearview mirror switch. <Ref. to 6-2 [W19B1].>

- CHECK** : *Is rearview mirror switch normal?*
YES : Go to step 5A4.
NO : Replace rearview mirror switch.

5A4 : CHECK HARNESS CONNECTOR BETWEEN REARVIEW MIRROR SWITCH AND REARVIEW MIRROR (RH AND LH).

- 1) Disconnect connectors of rearview mirror switch and rearview mirror.
- 2) Measure resistance of harness connector between rearview mirror switch and rearview mirror.

Connector & terminal (i6) No. 1 — (D15) No. 1:

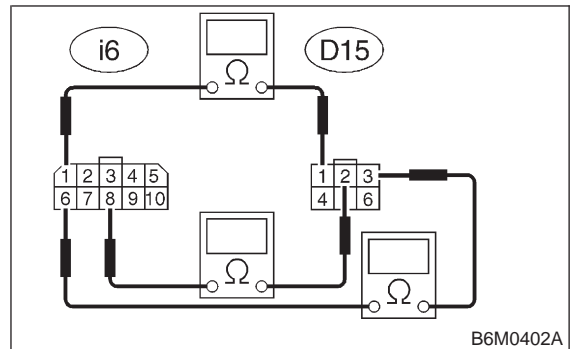


- CHECK** : *Is the resistance less than 10 Ω? (RH side)*
YES : Go to step 5A5.
NO : Repair wiring harness. Go to step 5A5.

5A5 : CHECK HARNESS CONNECTOR BETWEEN REARVIEW MIRROR SWITCH AND REARVIEW MIRROR (RH AND LH).

Measure resistance of harness connector between rearview mirror switch and rearview mirror.

Connector & terminal (i6) No. 8 — (D15) No. 2:

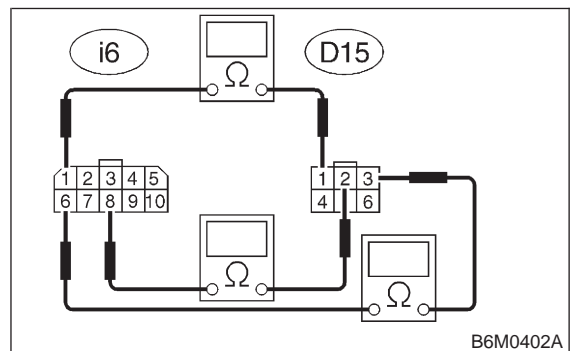


- CHECK** : *Is the resistance less than 10 Ω? (RH side)*
YES : Go to step 5A6.
NO : Repair wiring harness. Go to step 5A6.

5A6 : CHECK HARNESS CONNECTOR BETWEEN REARVIEW MIRROR SWITCH AND REARVIEW MIRROR (RH AND LH).

Measure resistance of harness connector between rearview mirror switch and rearview mirror.

Connector & terminal (i6) No. 6 — (D15) No. 3:



- CHECK** : *Is the resistance less than 10 Ω? (RH side)*
YES : Go to step 5A7.
NO : Repair wiring harness. Go to step 5A7.

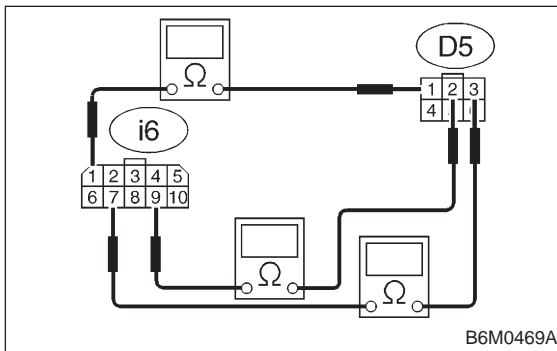
BODY ELECTRICAL SYSTEM (ELECTRICAL PARTS) [T5A10] 6-2b

5. Remote Controlled Rearview Mirror

5A7 : CHECK HARNESS CONNECTOR BETWEEN REARVIEW MIRROR SWITCH AND REARVIEW MIRROR (RH AND LH).

Measure resistance of harness connector between rearview mirror switch and rearview mirror.

Connector & terminal
(i6) No. 1 — (D5) No. 1:



CHECK : Is the resistance less than 10 Ω? (LH side)

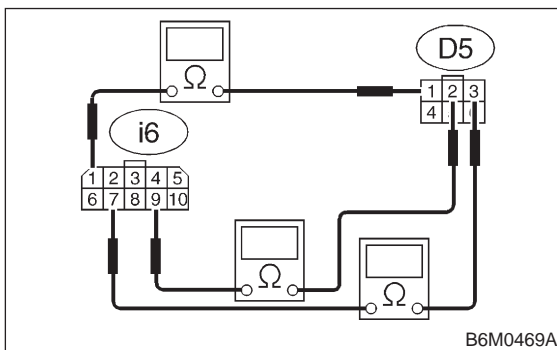
YES : Go to step 5A8.

NO : Repair wiring harness. Go to step 5A8.

5A8 : CHECK HARNESS CONNECTOR BETWEEN REARVIEW MIRROR SWITCH AND REARVIEW MIRROR (RH AND LH).

Measure resistance of harness connector between rearview mirror switch and rearview mirror.

Connector & terminal
(i6) No. 9 — (D5) No. 2:



CHECK : Is the resistance less than 10 Ω? (LH side)

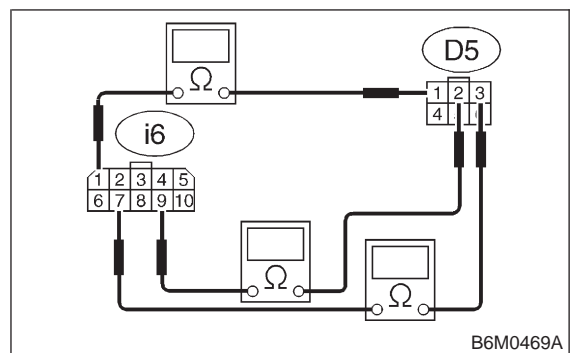
YES : Go to step 5A9.

NO : Repair wiring harness. Go to step 5A9.

5A9 : CHECK HARNESS CONNECTOR BETWEEN REARVIEW MIRROR SWITCH AND REARVIEW MIRROR (RH AND LH).

Measure resistance of harness connector between rearview mirror switch and rearview mirror.

Connector & terminal
(i6) No. 7 — (D5) No. 3:



CHECK : Is the resistance less than 10 Ω? (LH side)

YES : Go to step 5A10.

NO : Repair wiring harness.

5A10 : CHECK REARVIEW MIRROR MOTOR.

Perform inspection of rearview mirror motor. <Ref. to 6-2 [W19B2].>

CHECK : Is rearview mirror motor normal?

YES : System circuit is normal.

NO : Replace rearview mirror assembly.