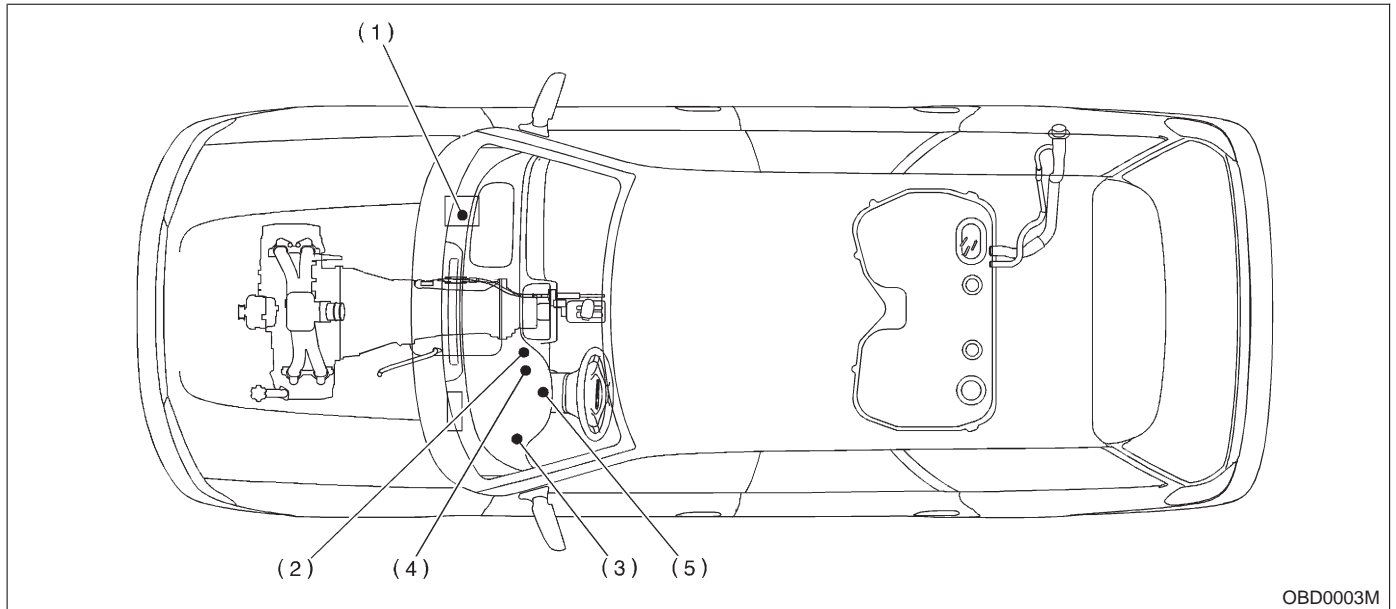


2. Electrical Components Location

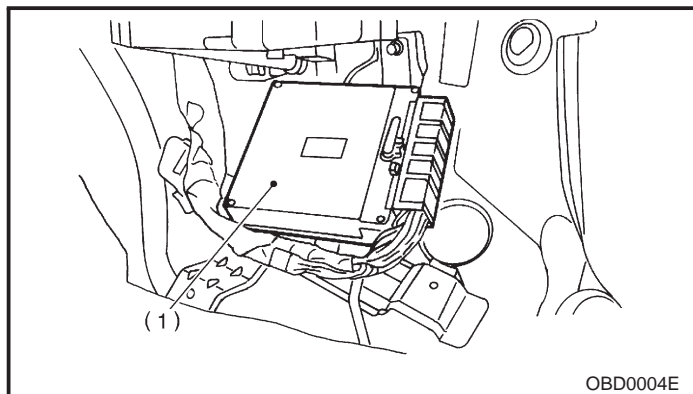
A: ENGINE (2200 cc FWD MODEL AND TAIWAN SPEC. VEHICLES)

1. MODULE

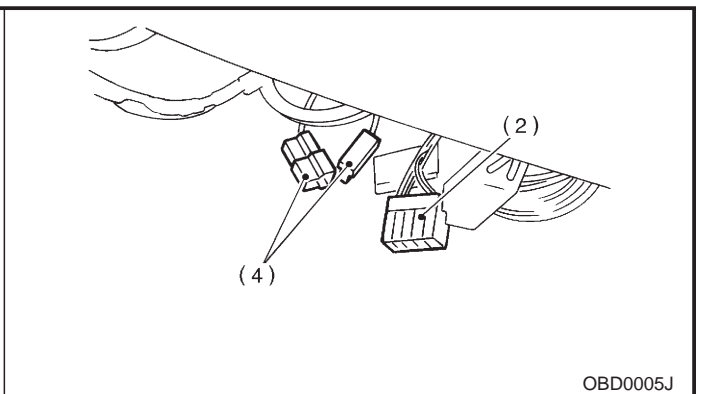


OBD0003M

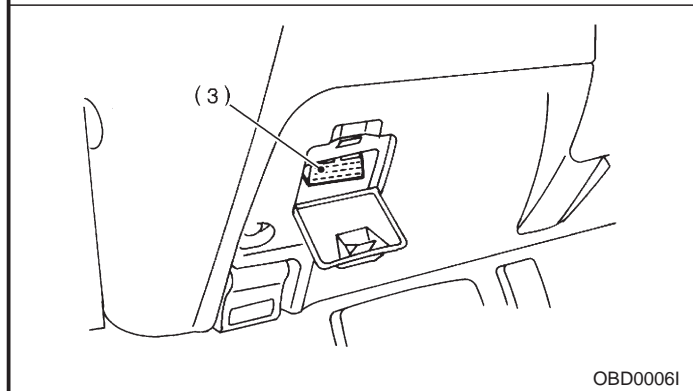
- | | | |
|--|--|---|
| (1) Engine control module (ECM) | (3) Data link connector (for Subaru select monitor and OBD-II general scan tool) | (4) Test mode connector |
| (2) Data link connector (for Subaru select monitor only) | | (5) CHECK ENGINE malfunction indicator lamp (MIL) |



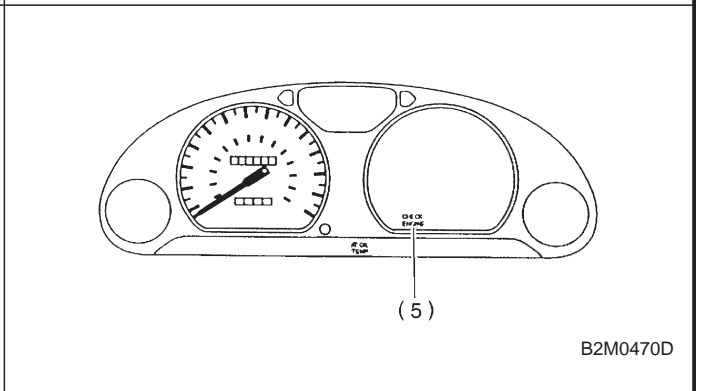
OBD0004E



OBD0005J

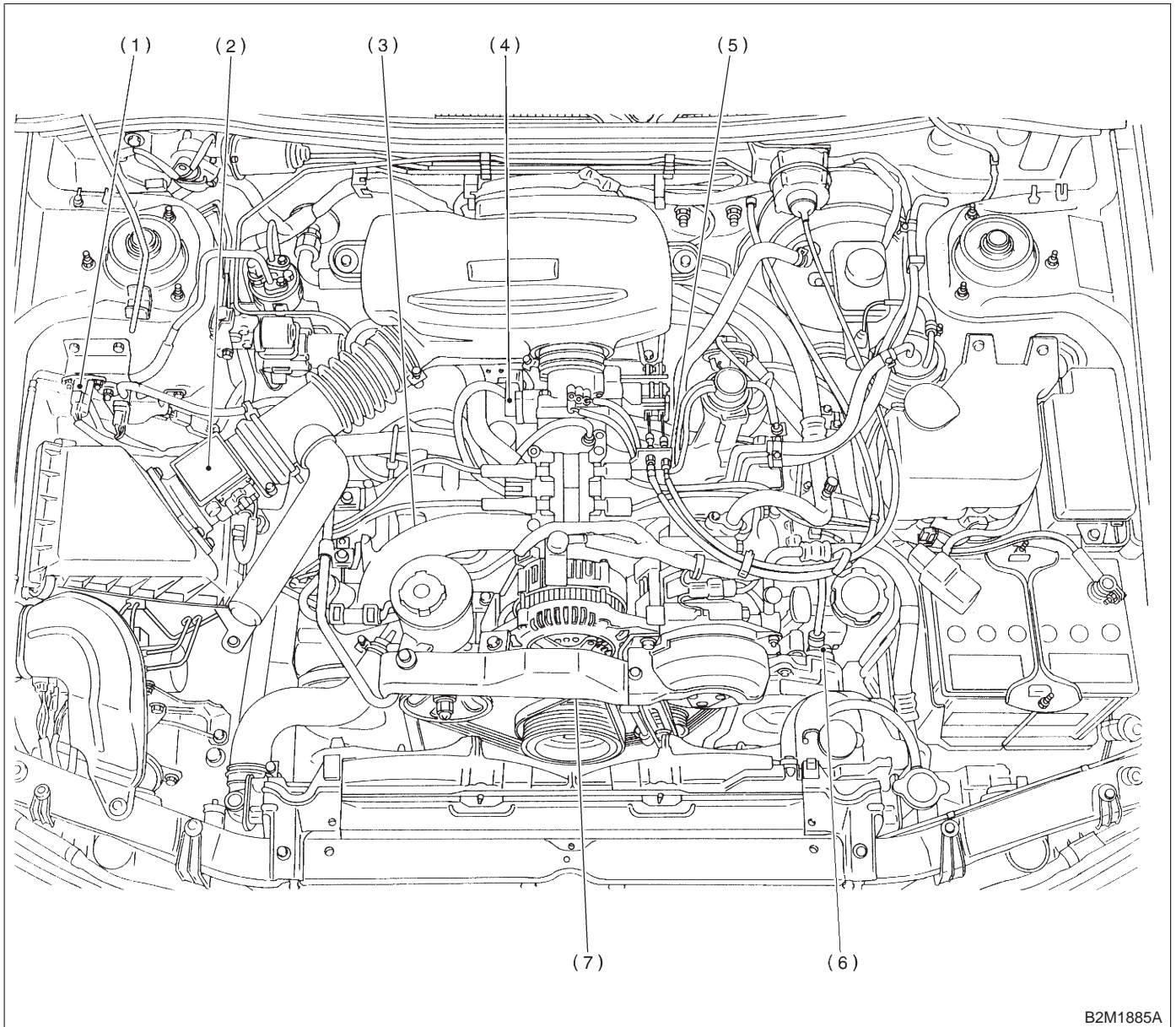


OBD0006I



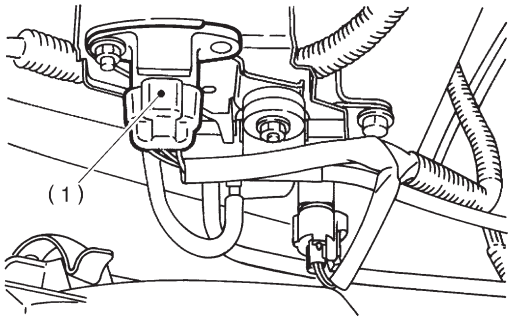
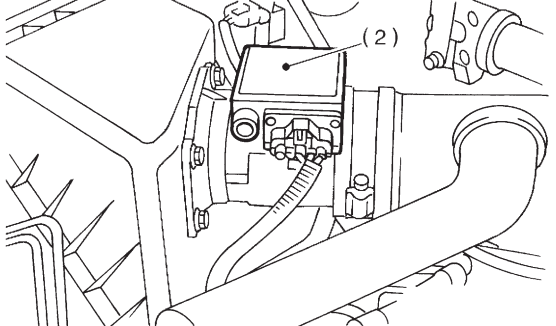
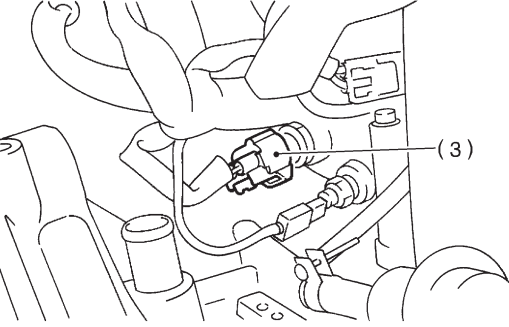
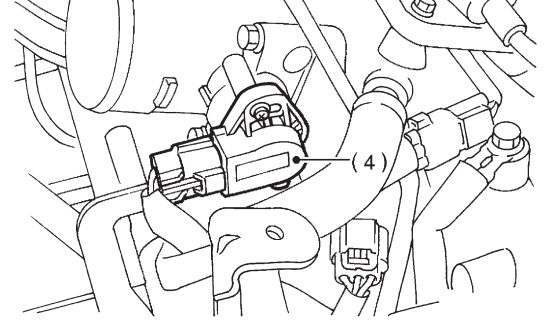
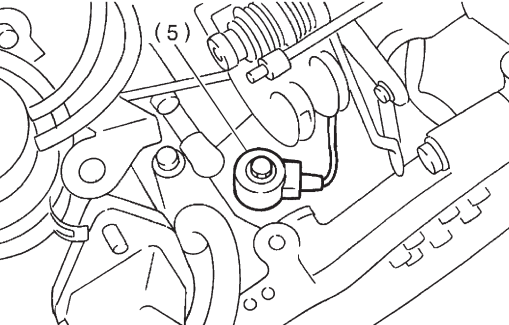
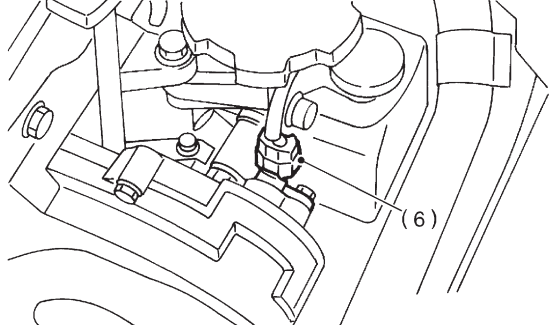
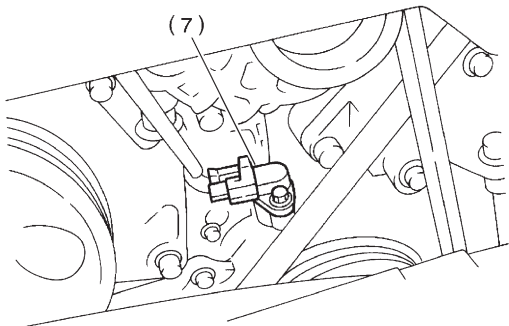
B2M0470D

2. SENSOR



B2M1885A

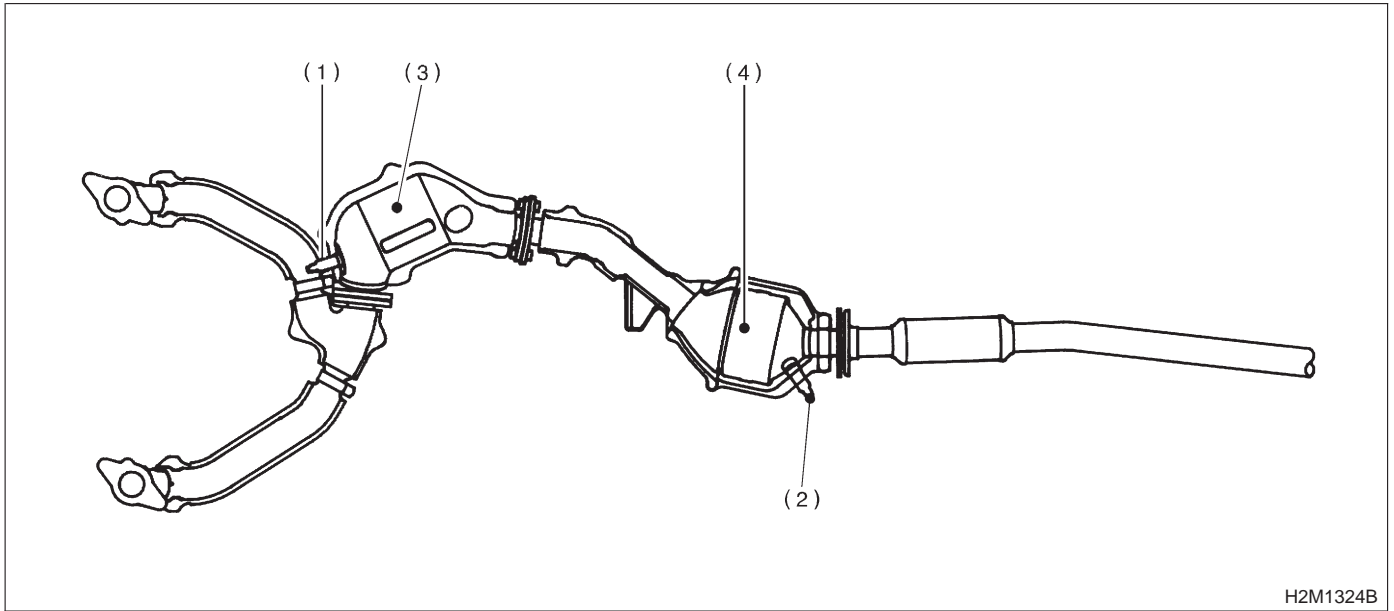
- | | |
|---------------------------------------|--------------------------------|
| (1) Pressure sensor | (4) Throttle position sensor |
| (2) Mass air flow sensor | (5) Knock sensor |
| (3) Engine coolant temperature sensor | (6) Camshaft position sensor |
| | (7) Crankshaft position sensor |

 <p>(1)</p> <p>B2M0776B</p>	 <p>(2)</p> <p>B2M1034C</p>
 <p>(3)</p> <p>B2M1690B</p>	 <p>(4)</p> <p>B2M1035C</p>
 <p>(5)</p> <p>B2M1691B</p>	 <p>(6)</p> <p>OBD0015D</p>
 <p>(7)</p> <p>B2M0213J</p>	<p>SUBARU.</p>

2-7 [T2A2]

ON-BORAD DIAGNOSTICS II SYSTEM

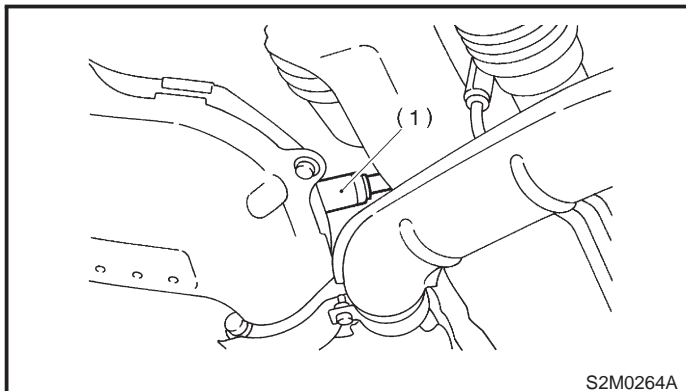
2. Electrical Components Location



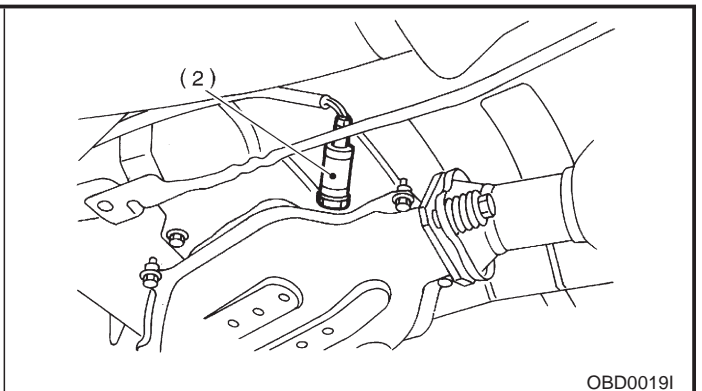
H2M1324B

- (1) Front oxygen sensor
- (2) Rear oxygen sensor

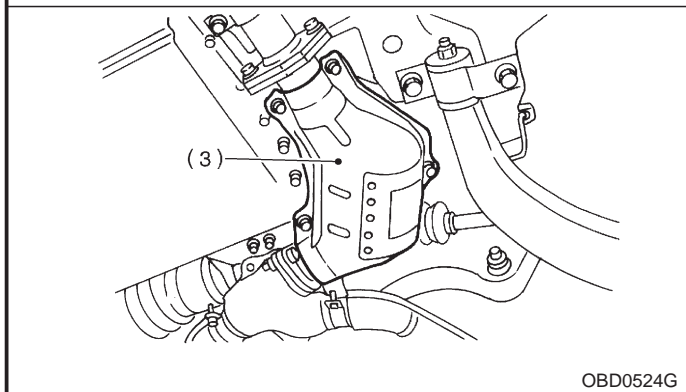
- (3) Front catalytic converter
- (4) Rear catalytic converter



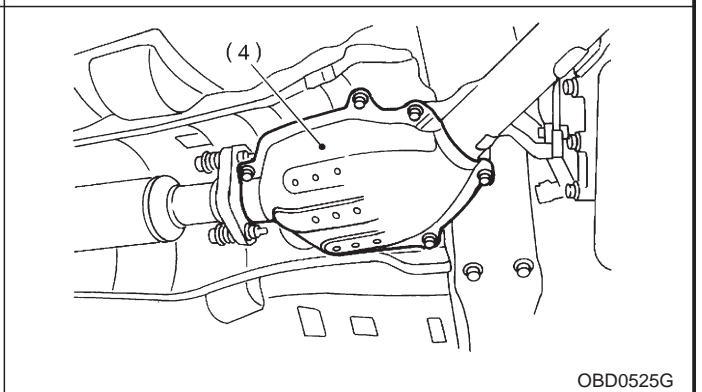
S2M0264A



OBD0019I



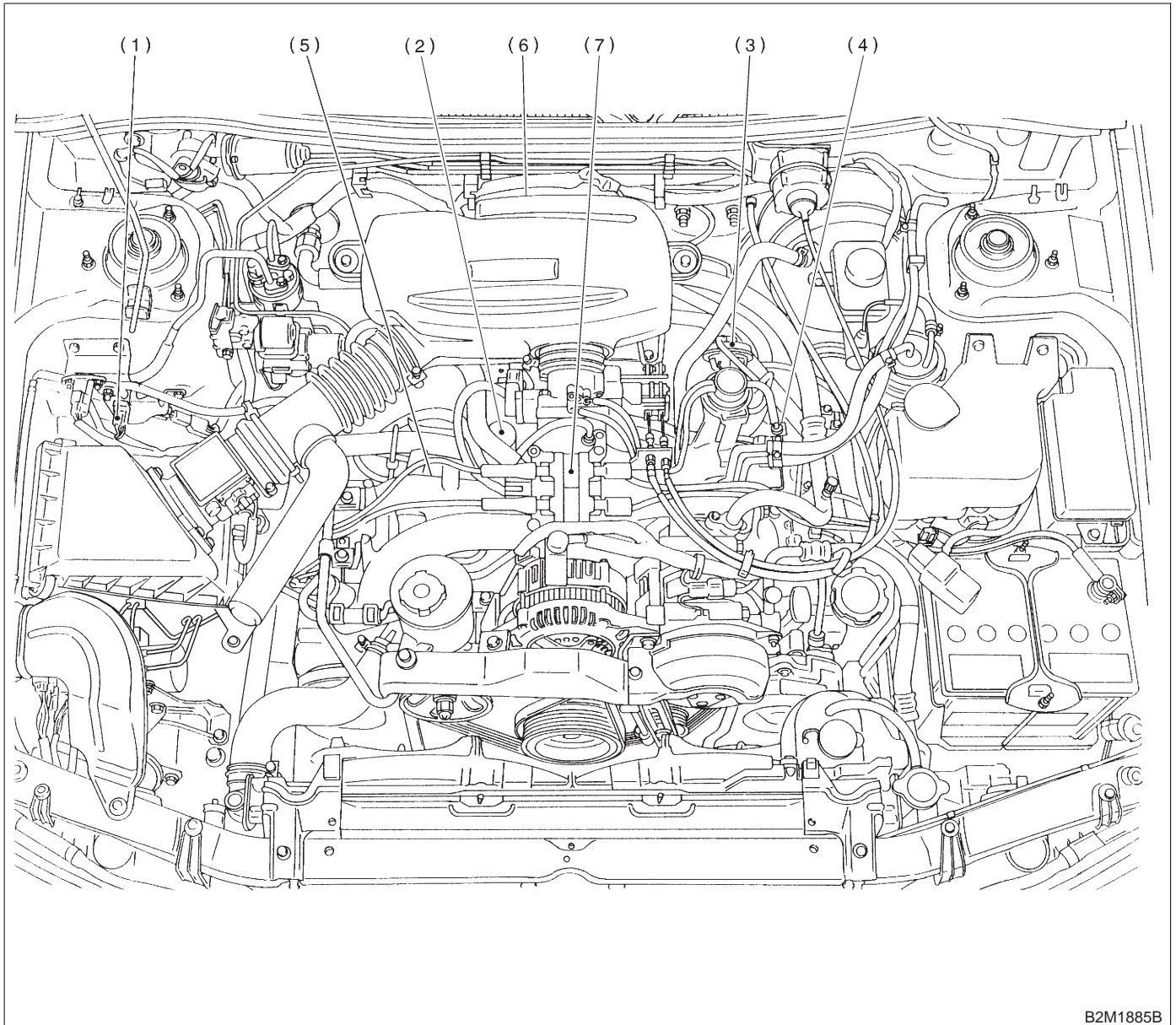
OBD0524G



OBD0525G

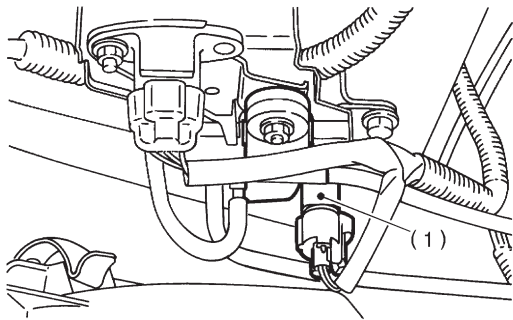
MEMO:

3. SOLENOID VALVE, EMISSION CONTROL SYSTEM PARTS AND IGNITION SYSTEM PARTS

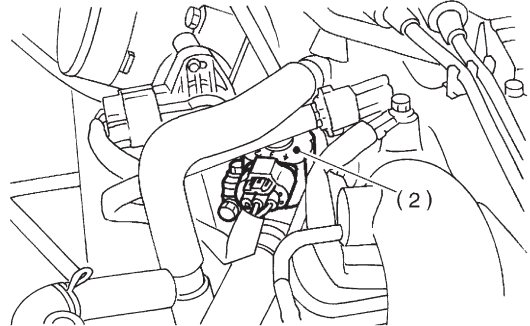


B2M1885B

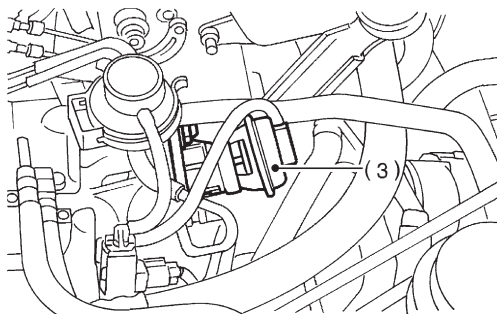
- | | |
|---|--|
| (1) Pressure sources switching solenoid valve | (4) EGR control solenoid valve
(Except 2200 cc MT vehicles) |
| (2) Idle air control solenoid valve | (5) Purge control solenoid valve |
| (3) EGR valve (Except 2200 cc MT vehicles) | (6) Ignitor |
| | (7) Ignition coil |



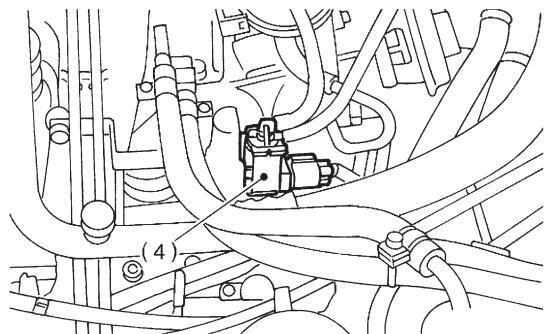
B2M0777B



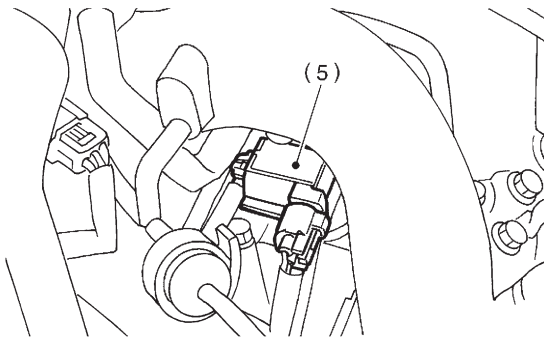
B2M1036C



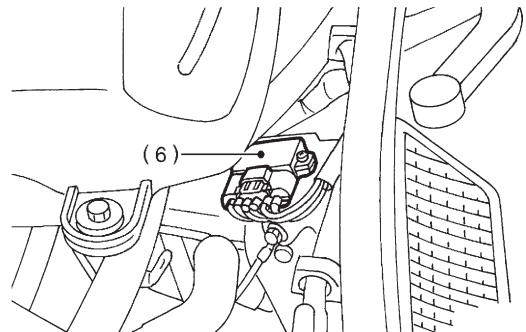
B2M1037E



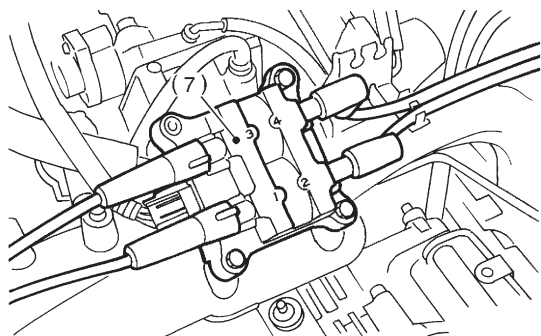
B2M1038E



B2M1039I



B2M1040E



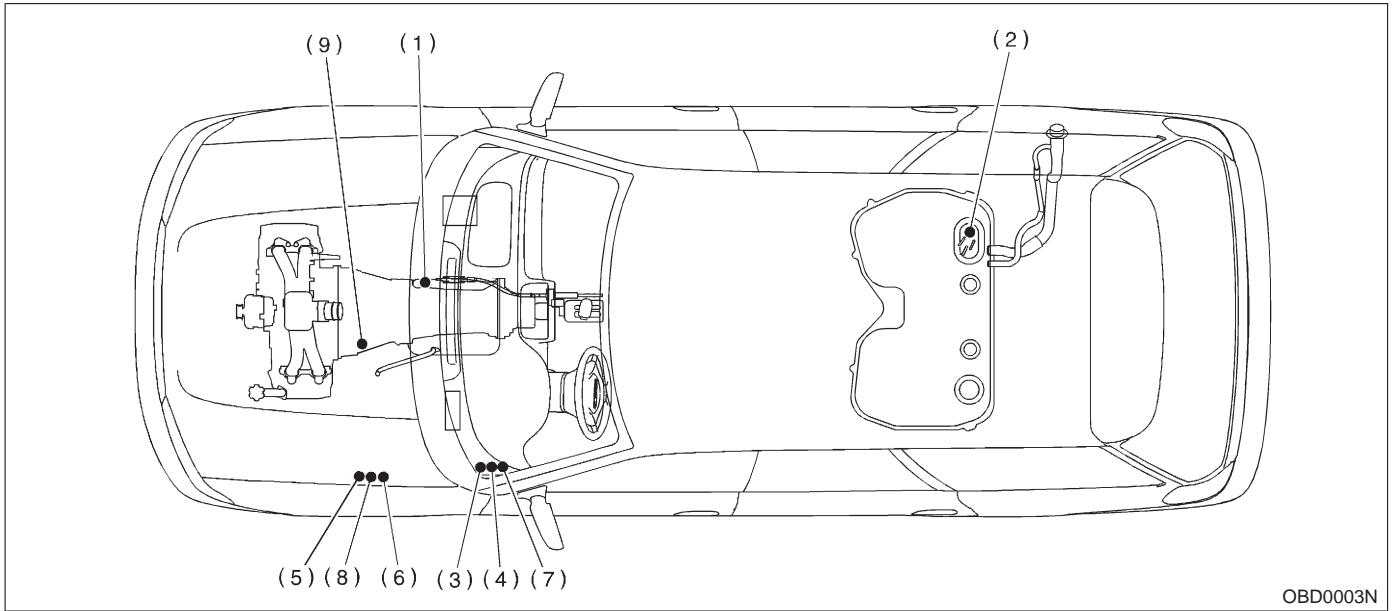
B2M1041E

SUBARU.

2-7 [T2A3]

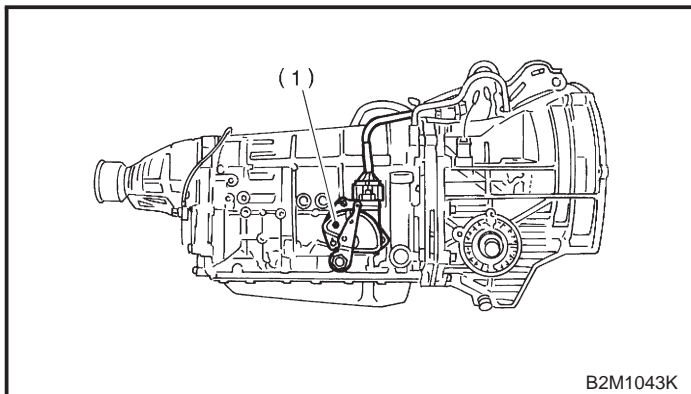
ON-BORAD DIAGNOSTICS II SYSTEM

2. Electrical Components Location

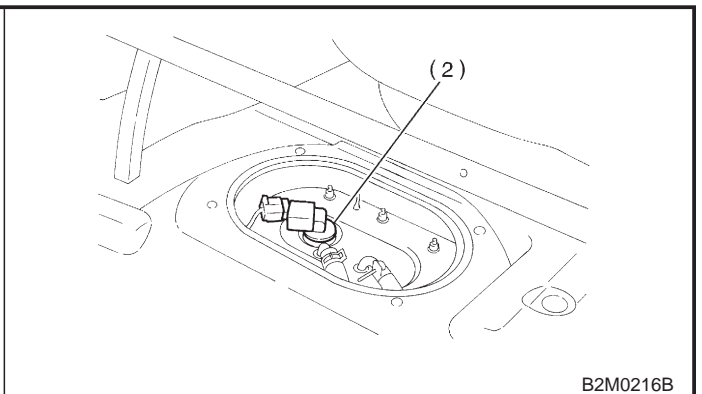


OBD0003N

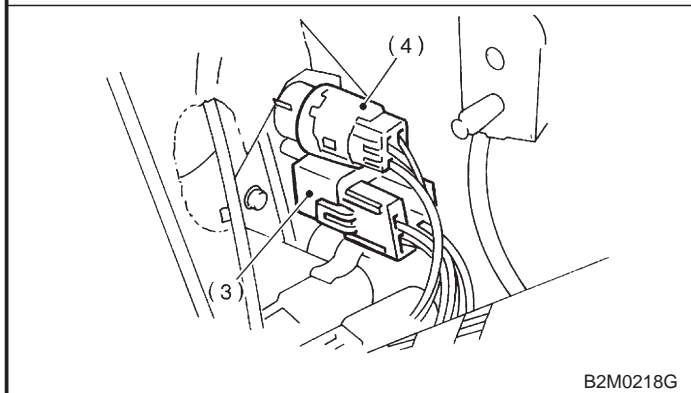
- | | | |
|--|--|---|
| (1) Inhibitor switch (AT vehicles only) | (6) Radiator main fan relay 2 (With A/C models only) | (8) Radiator sub fan relay 2 (With A/C models only) |
| (2) Fuel pump | (7) Radiator sub fan relay 1 (With A/C models) | (9) Starter |
| (3) Main relay | (4) Fuel pump relay | |
| (5) Radiator main fan relay 1 (With A/C models only) | (7) Main fan relay (Without A/C models) | |



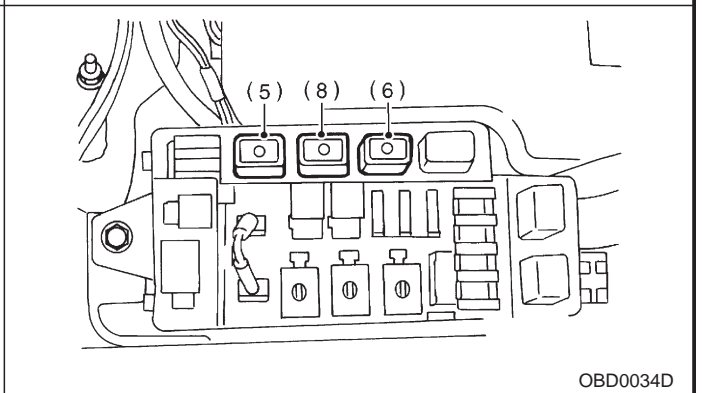
B2M1043K



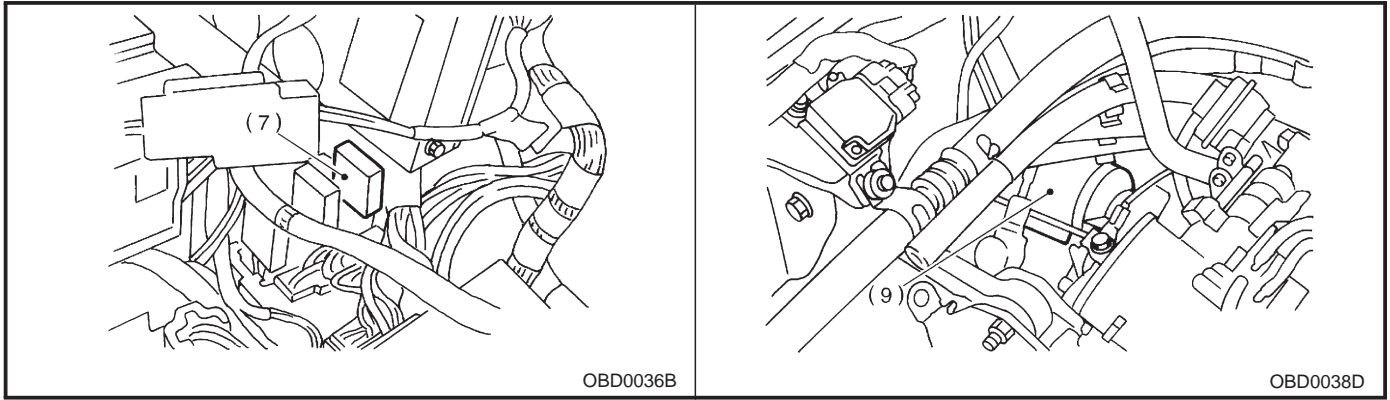
B2M0216B



B2M0218G

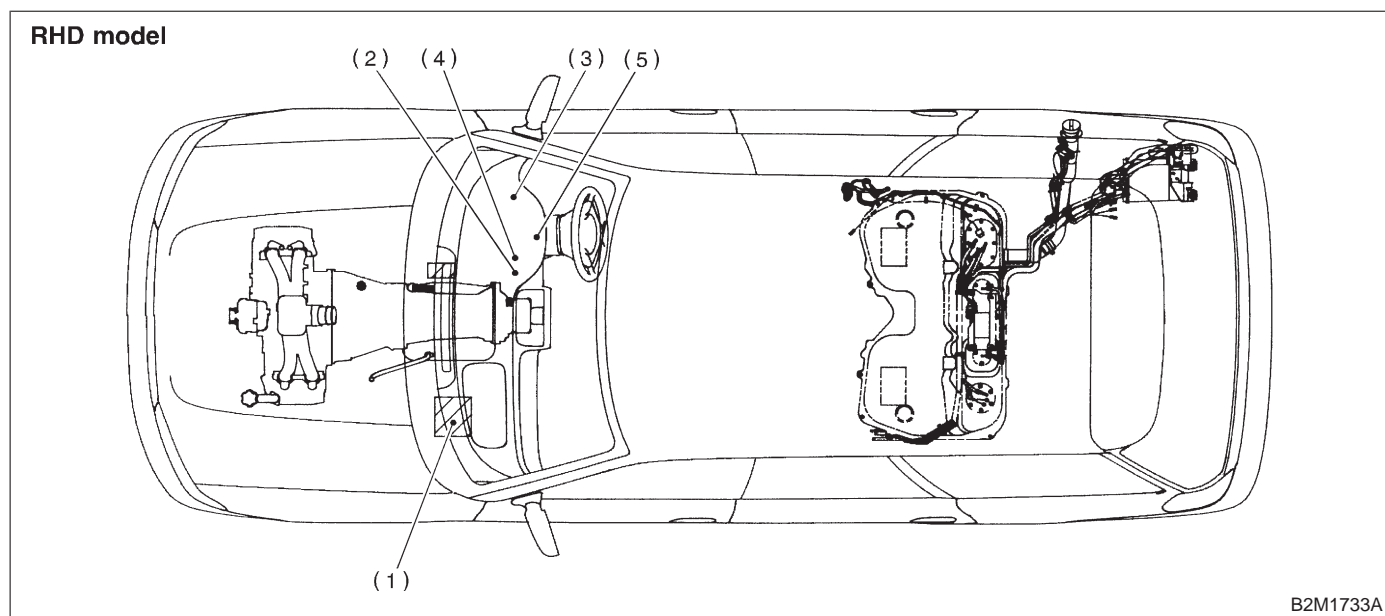
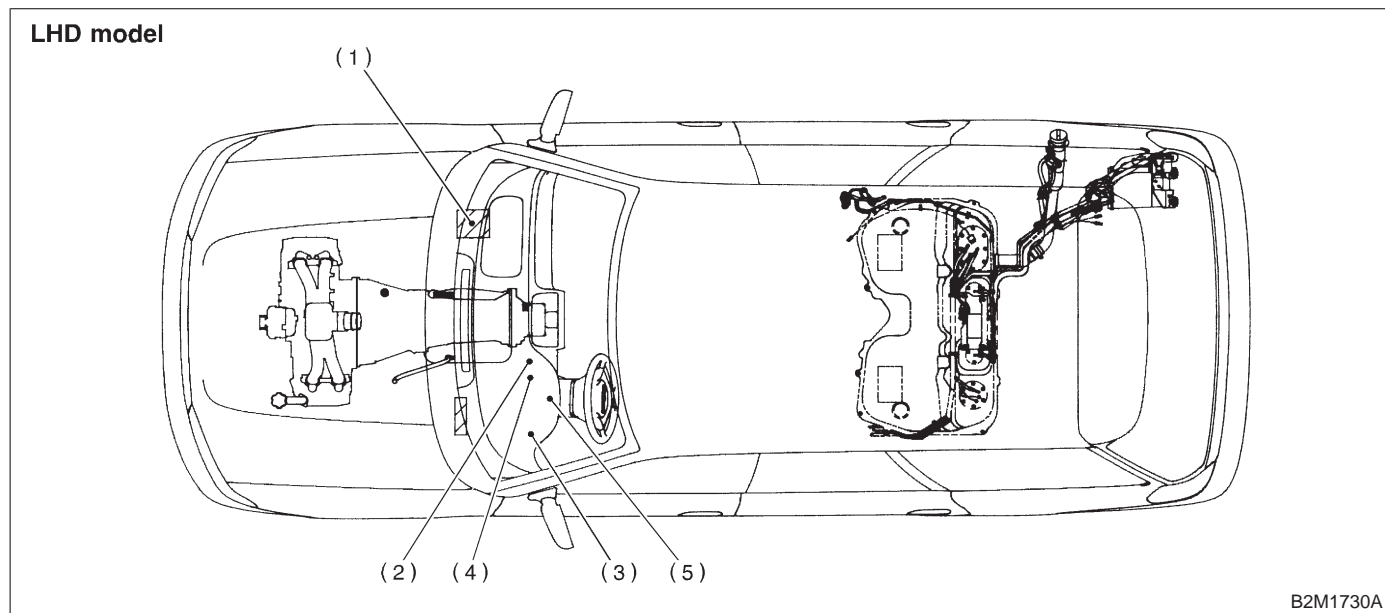


OBD0034D



B: ENGINE (2200 cc AWD EXCEPT TAIWAN SPEC. VEHICLES)

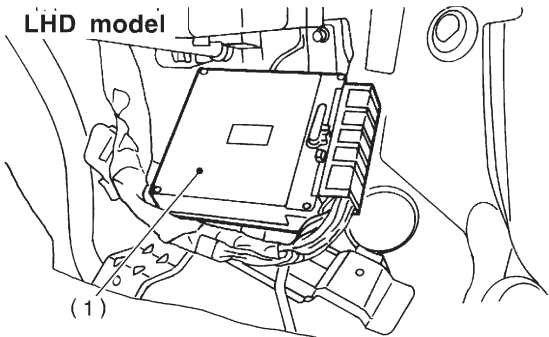
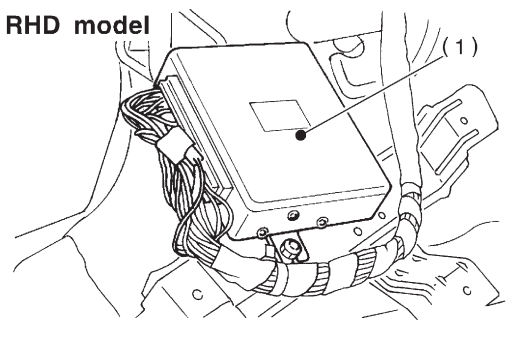
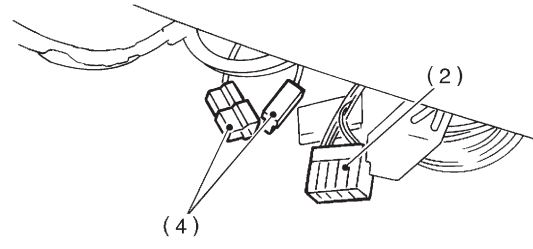
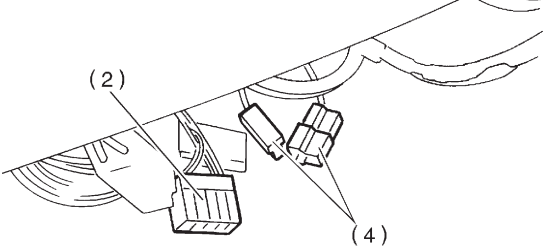
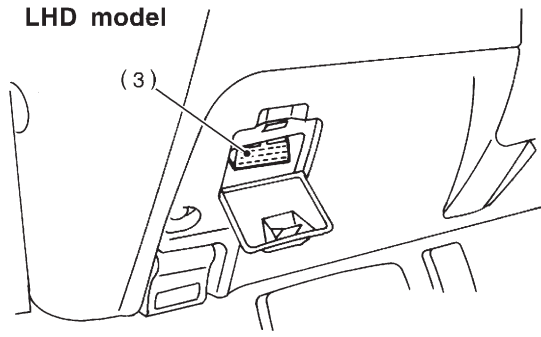
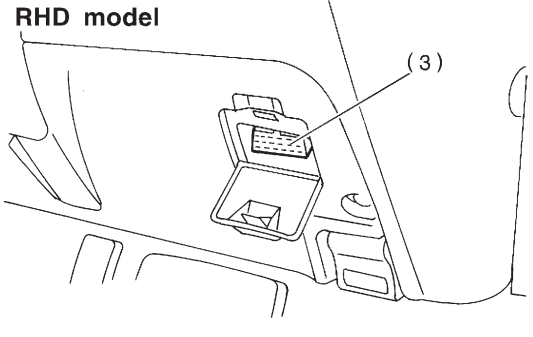
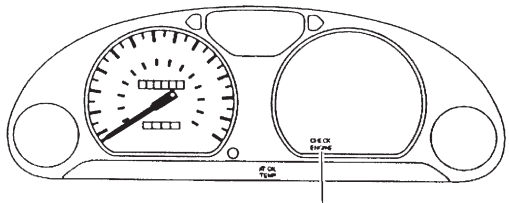

1. MODULE



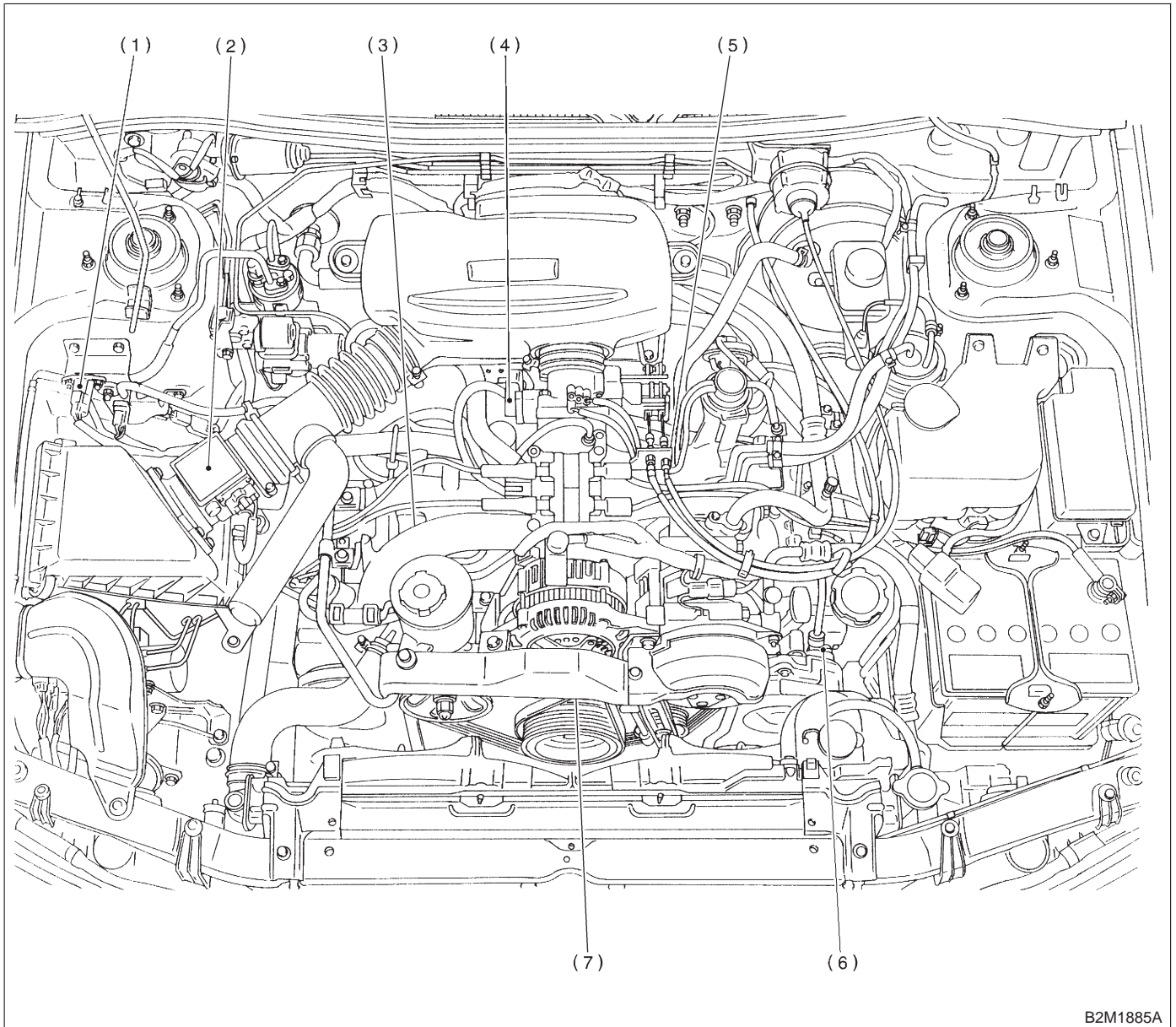
(1) Engine control module (ECM)
 (2) Data link connector (for Subaru select monitor only)

(3) Data link connector (for Subaru select monitor and OBD-II general scan tool)

(4) Test mode connector
 (5) CHECK ENGINE malfunction indicator lamp (MIL)

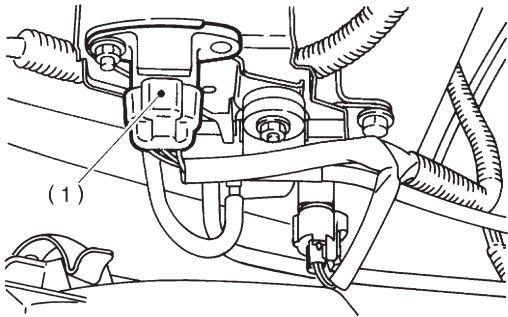
<p>LHD model</p>  <p>(1)</p> <p>OBD0004D</p>	<p>RHD model</p>  <p>(1)</p> <p>B2M0431C</p>
<p>LHD model</p>  <p>(2)</p> <p>(4)</p> <p>OBD0005I</p>	<p>RHD model</p>  <p>(2)</p> <p>(4)</p> <p>B2M0432E</p>
<p>LHD model</p>  <p>(3)</p> <p>OBD0006G</p>	<p>RHD model</p>  <p>(3)</p> <p>B2M0433E</p>
 <p>(5)</p> <p>B2M0470D</p>	

2. SENSOR

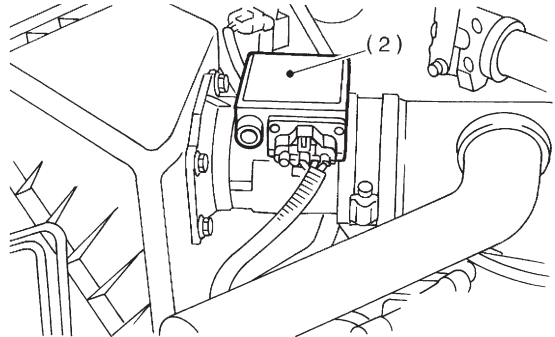


B2M1885A

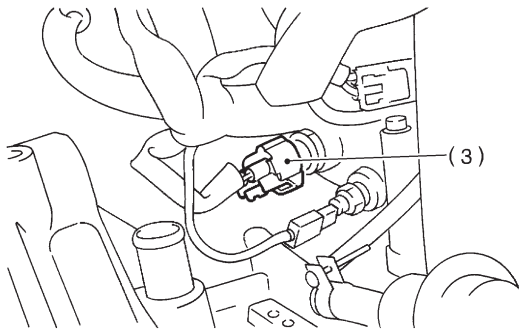
- | | |
|---------------------------------------|--------------------------------|
| (1) Pressure sensor | (4) Throttle position sensor |
| (2) Mass air flow sensor | (5) Knock sensor |
| (3) Engine coolant temperature sensor | (6) Camshaft position sensor |
| | (7) Crankshaft position sensor |



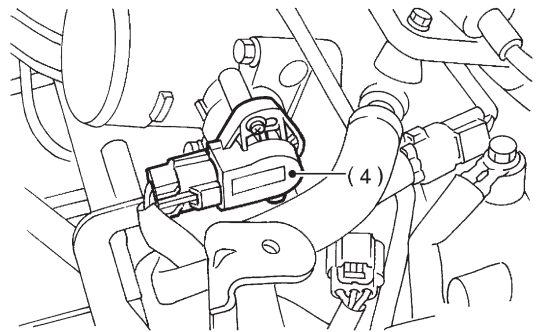
B2M0776B



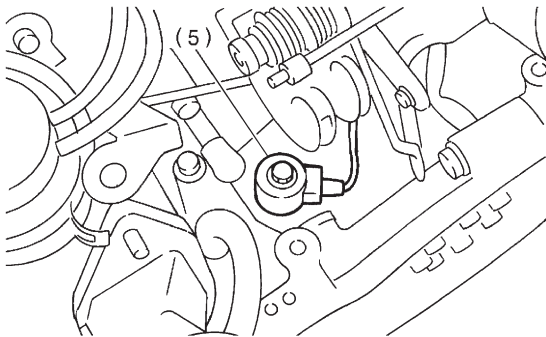
B2M1034C



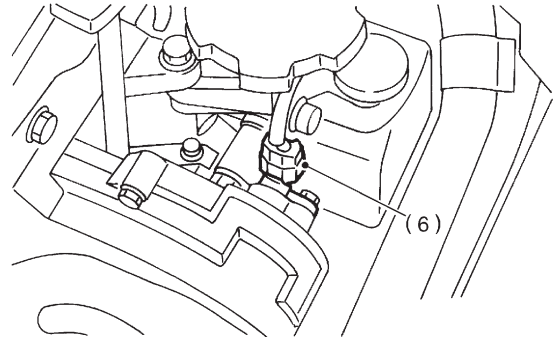
B2M1690B



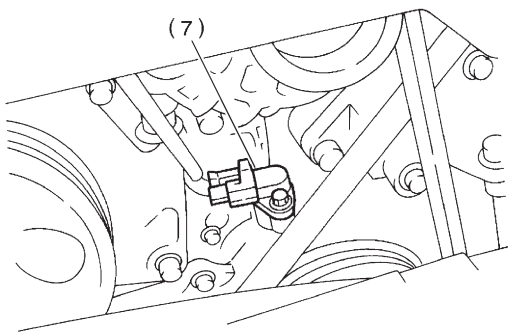
B2M1035C



B2M1691B



OBD0015D



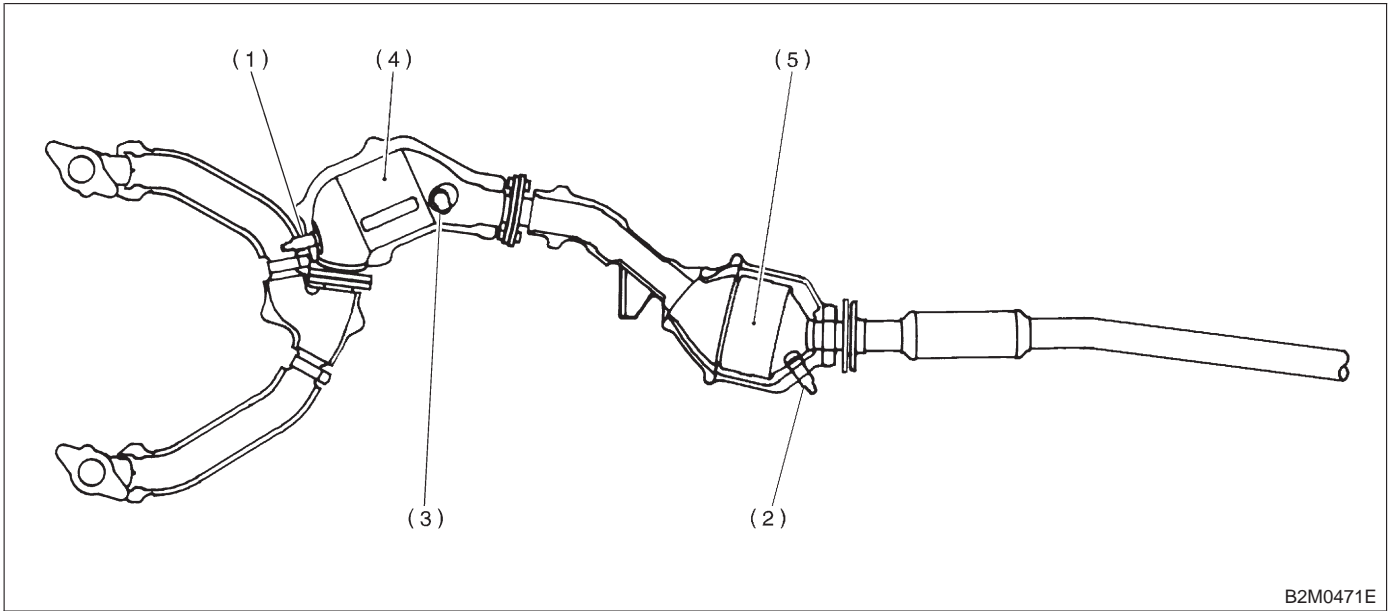
B2M0213J

SUBARU.

2-7 [T2B2]

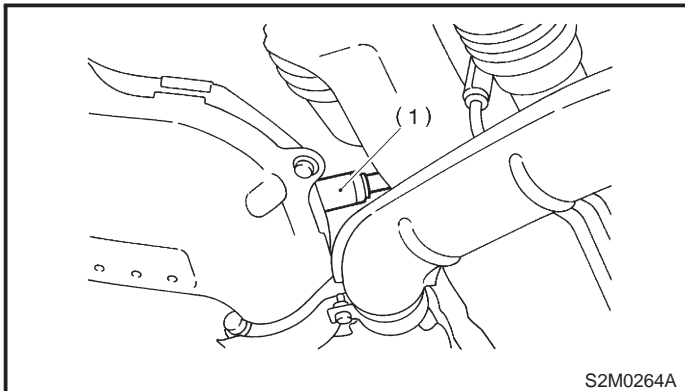
ON-BORAD DIAGNOSTICS II SYSTEM

2. Electrical Components Location

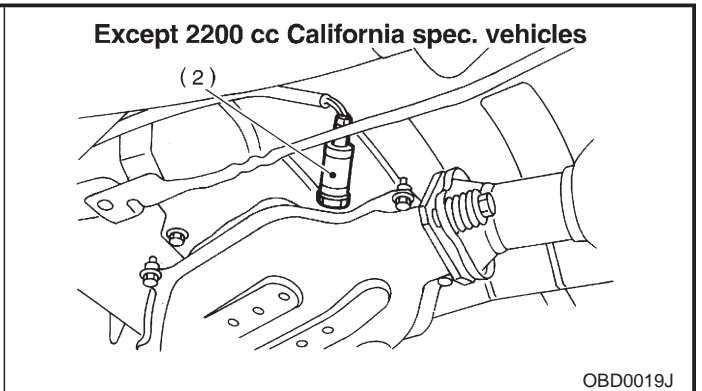


B2M0471E

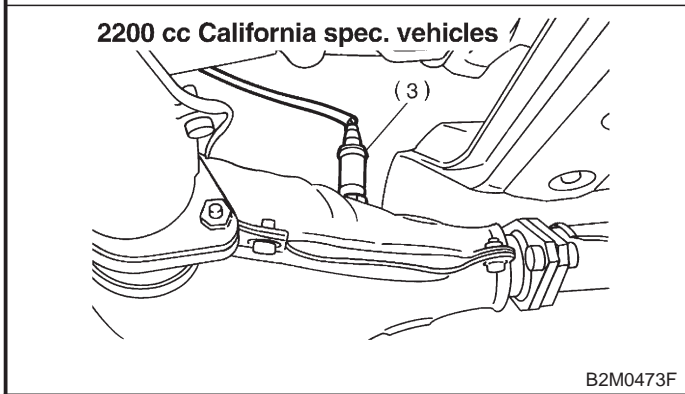
- | | |
|---|--|
| (1) Front oxygen sensor | (3) Rear oxygen sensor (2200 cc California spec. vehicles) |
| (2) Rear oxygen sensor (Except 2200 cc California spec. vehicles) | (4) Front catalytic converter |
| | (5) Rear catalytic converter |



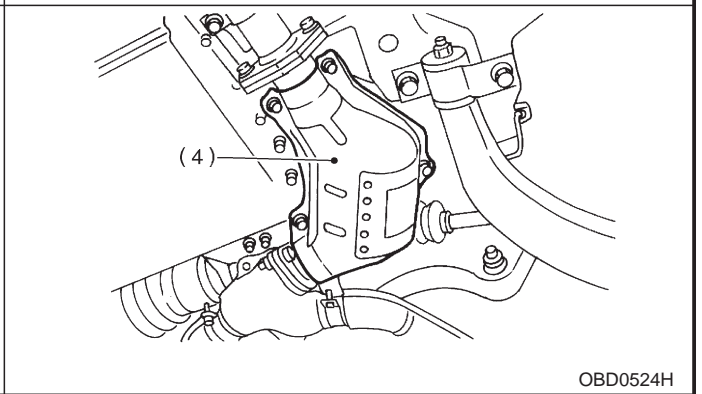
S2M0264A



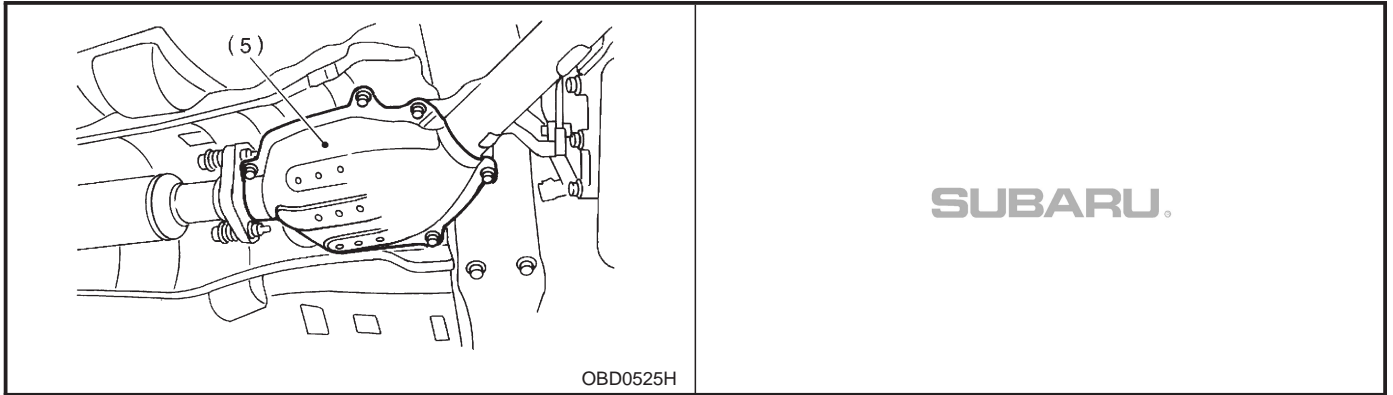
OBD0019J

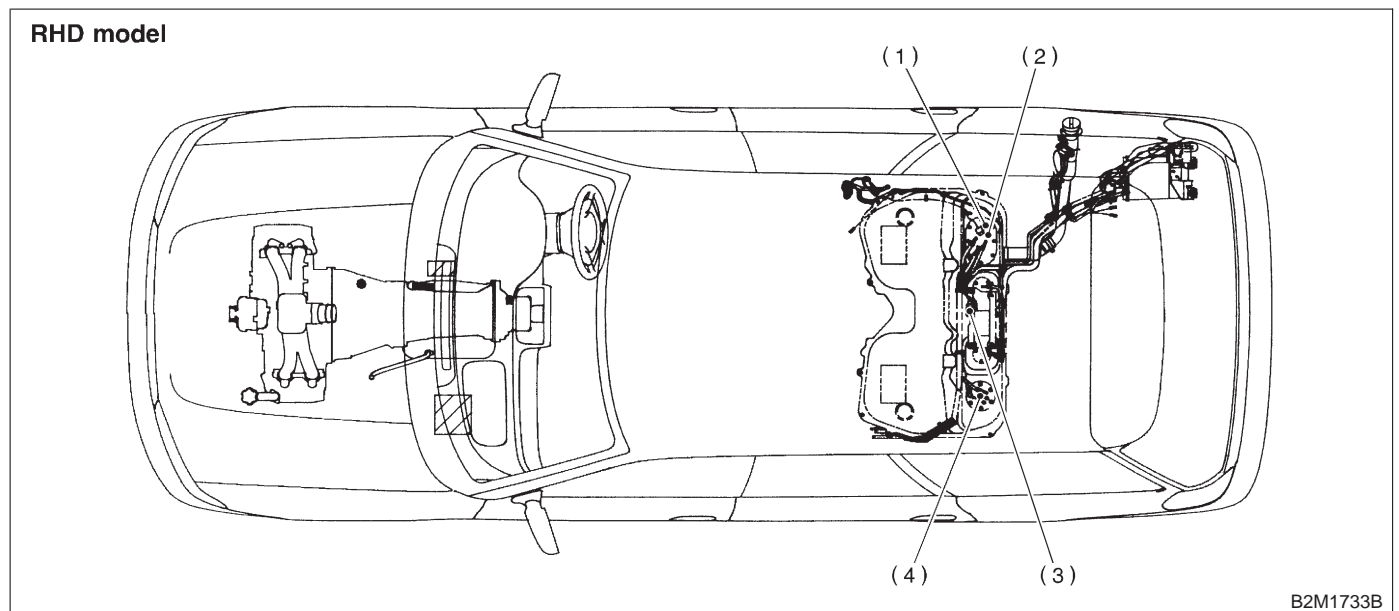
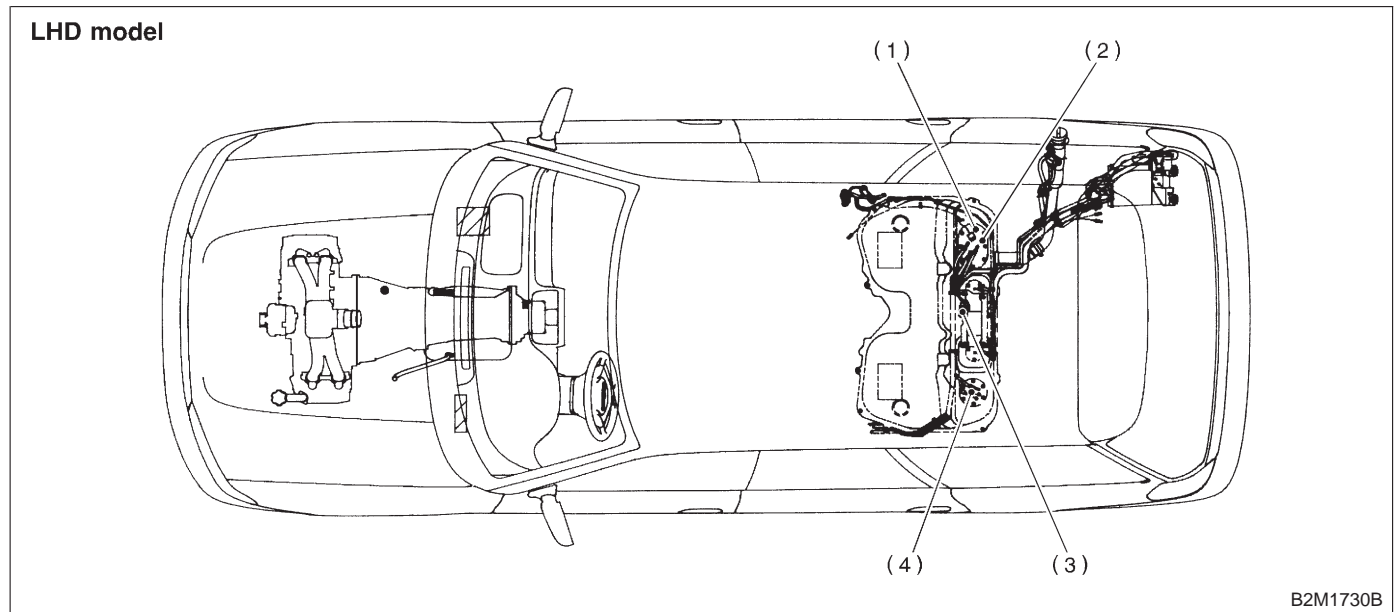


B2M0473F



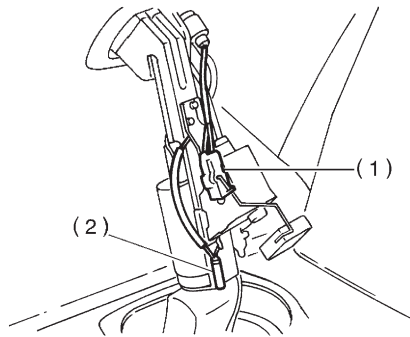
OBD0524H



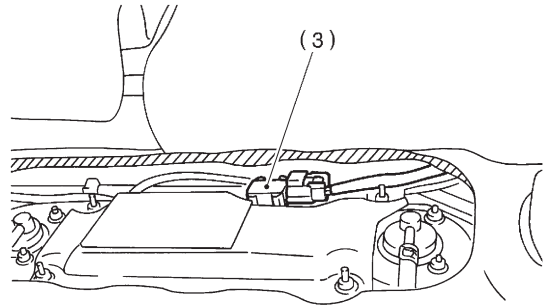


- (1) Fuel level sensor
- (2) Fuel temperature sensor

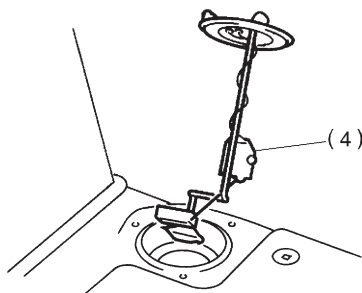
- (3) Fuel tank pressure sensor
- (4) Fuel sub level sensor



B2M0921B



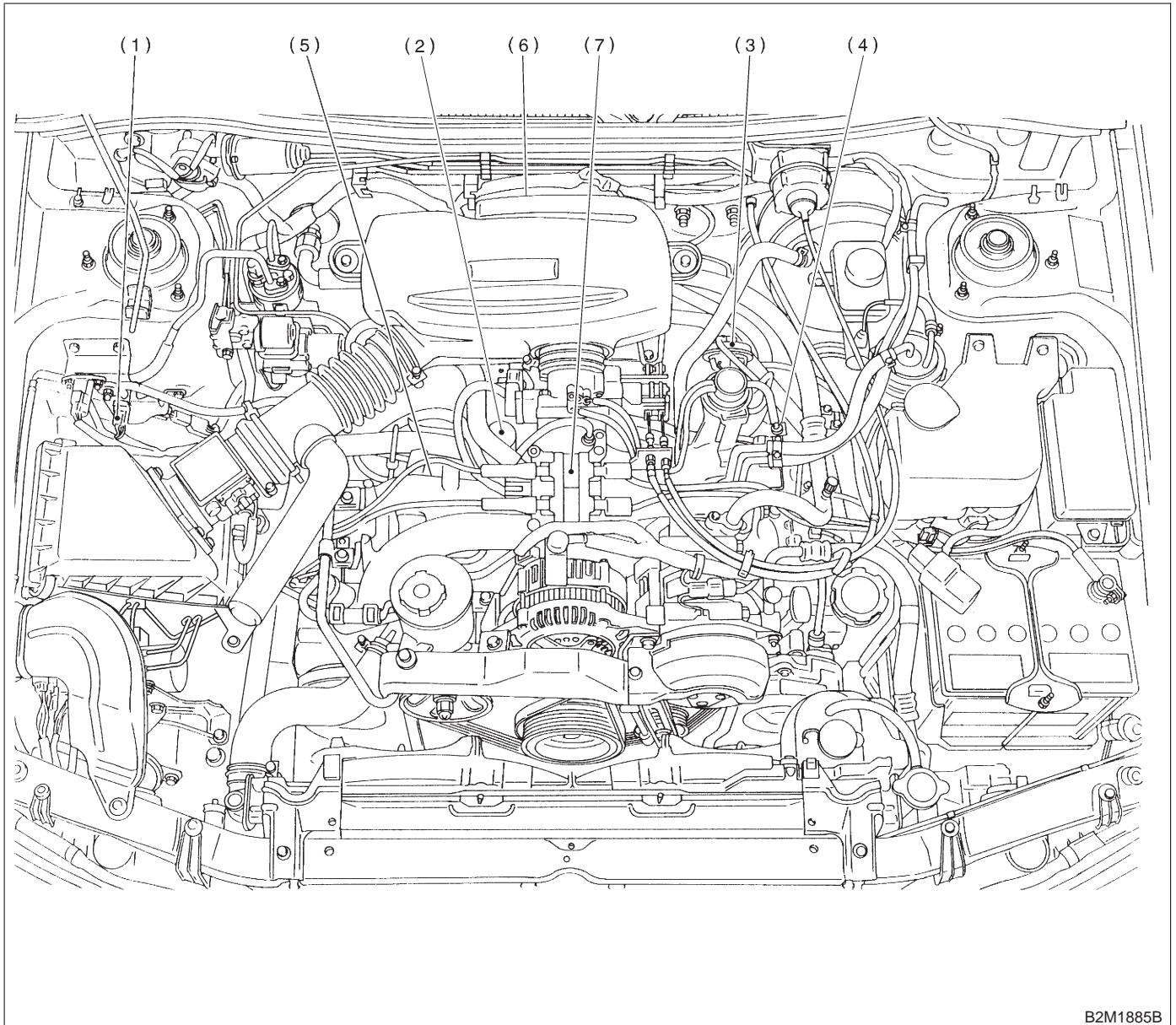
B2M1807A



B2M0946B

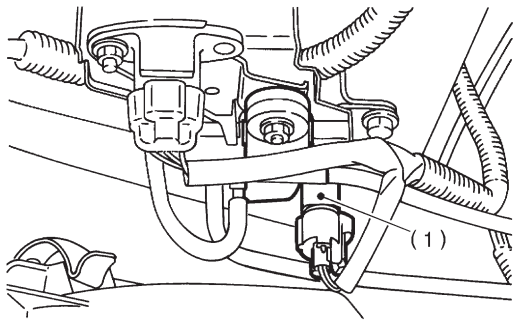
SUBARU.

3. SOLENOID VALVE, EMISSION CONTROL SYSTEM PARTS AND IGNITION SYSTEM PARTS

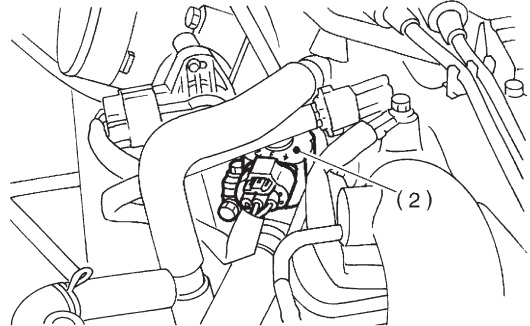


B2M1885B

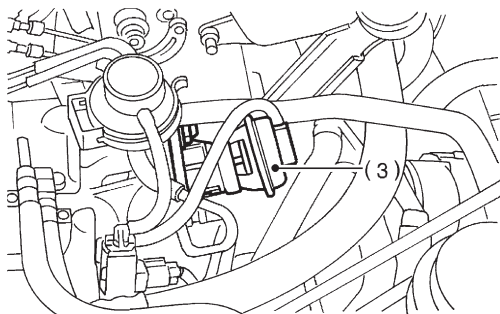
- | | |
|---|--|
| (1) Pressure sources switching solenoid valve | (4) EGR control solenoid valve
(Except 2200 cc MT vehicles) |
| (2) Idle air control solenoid valve | (5) Purge control solenoid valve |
| (3) EGR valve (Except 2200 cc MT vehicles) | (6) Ignitor |
| | (7) Ignition coil |



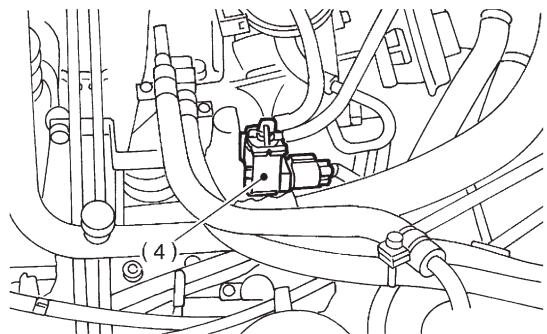
B2M0777B



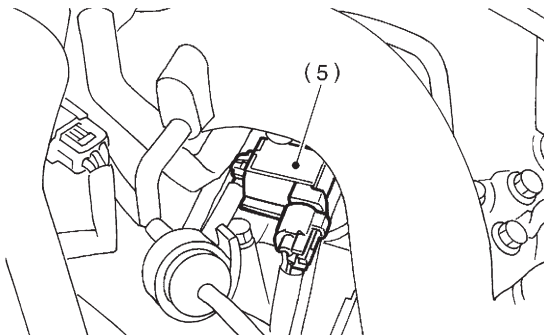
B2M1036C



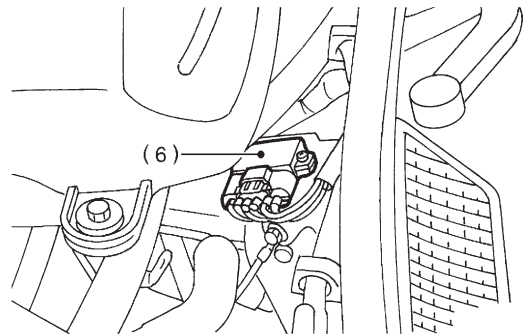
B2M1037E



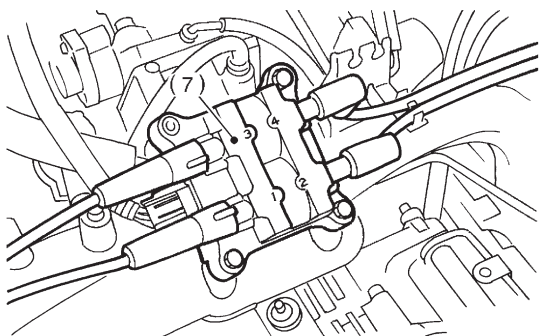
B2M1038E



B2M1039I



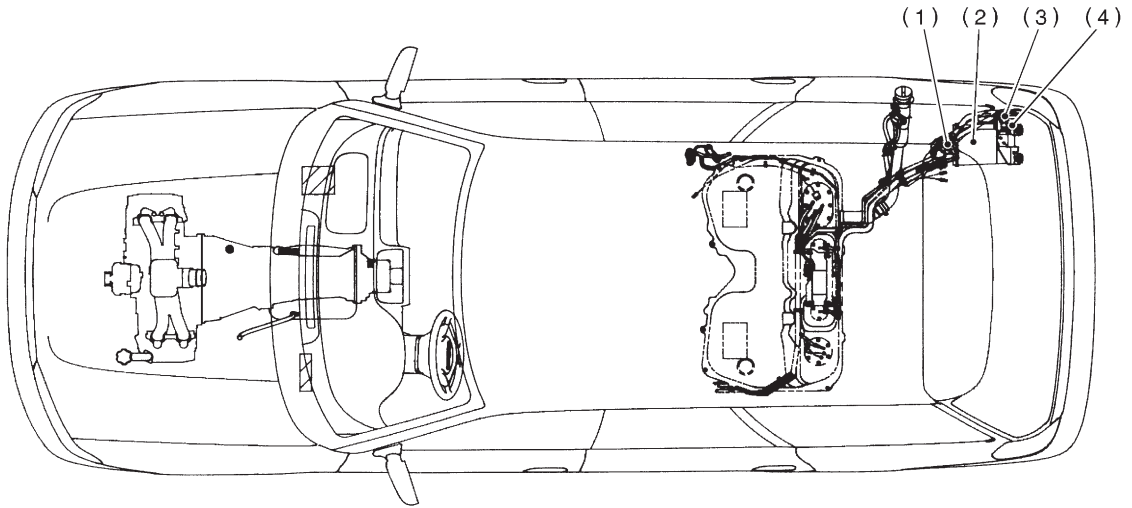
B2M1040E



B2M1041E

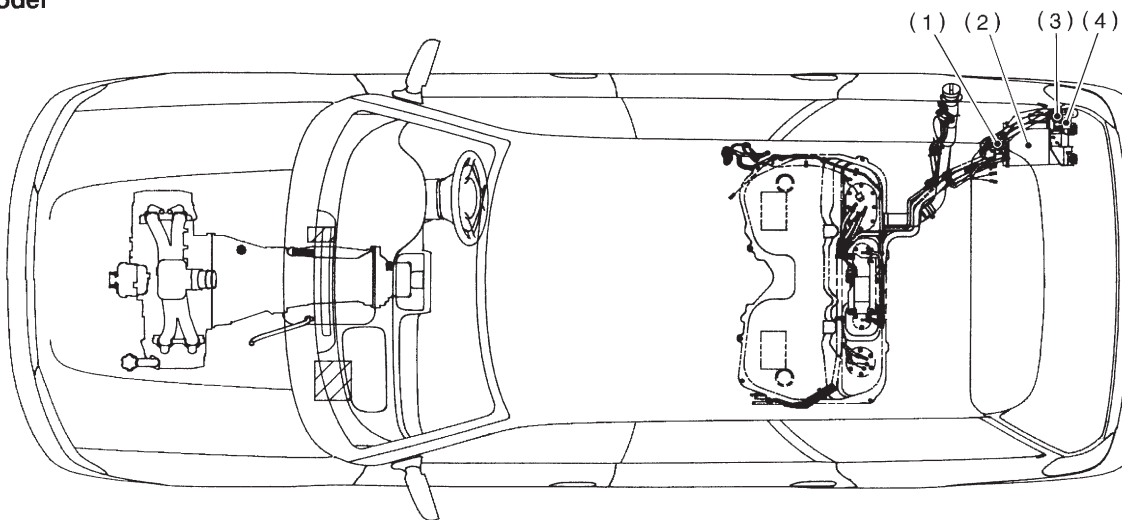
SUBARU.

LHD model



B2M1730C

RHD model



B2M1733C

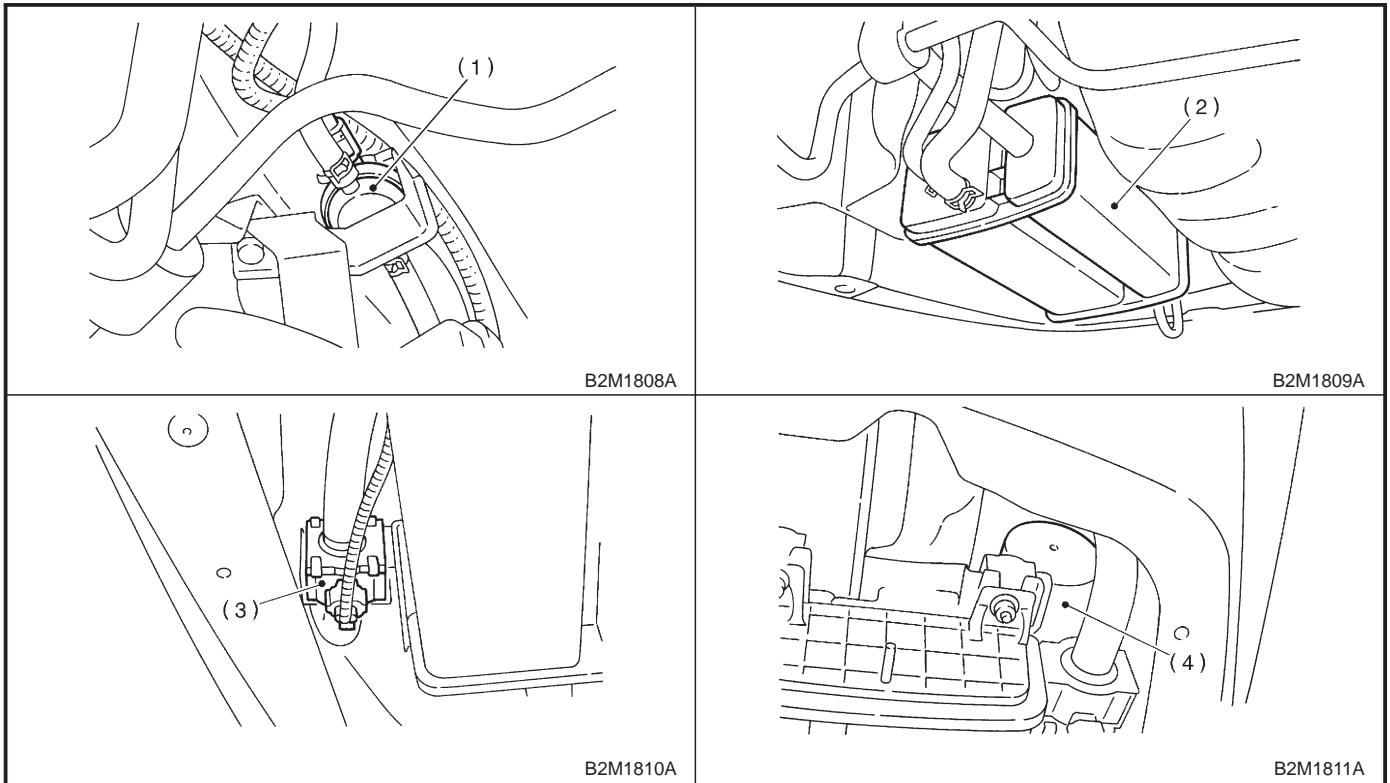
- (1) Pressure control solenoid valve
- (2) Canister

- (3) Drain valve
- (4) Air filter

ON-BORAD DIAGNOSTICS II SYSTEM

[T2B3] 2-7

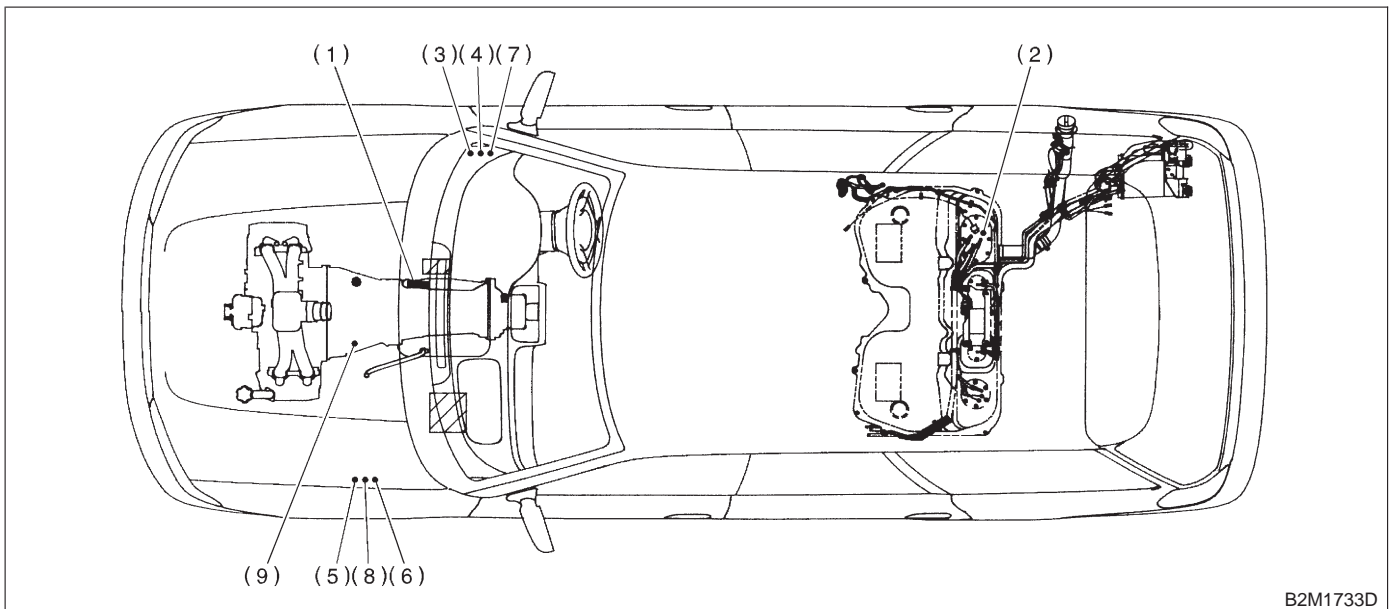
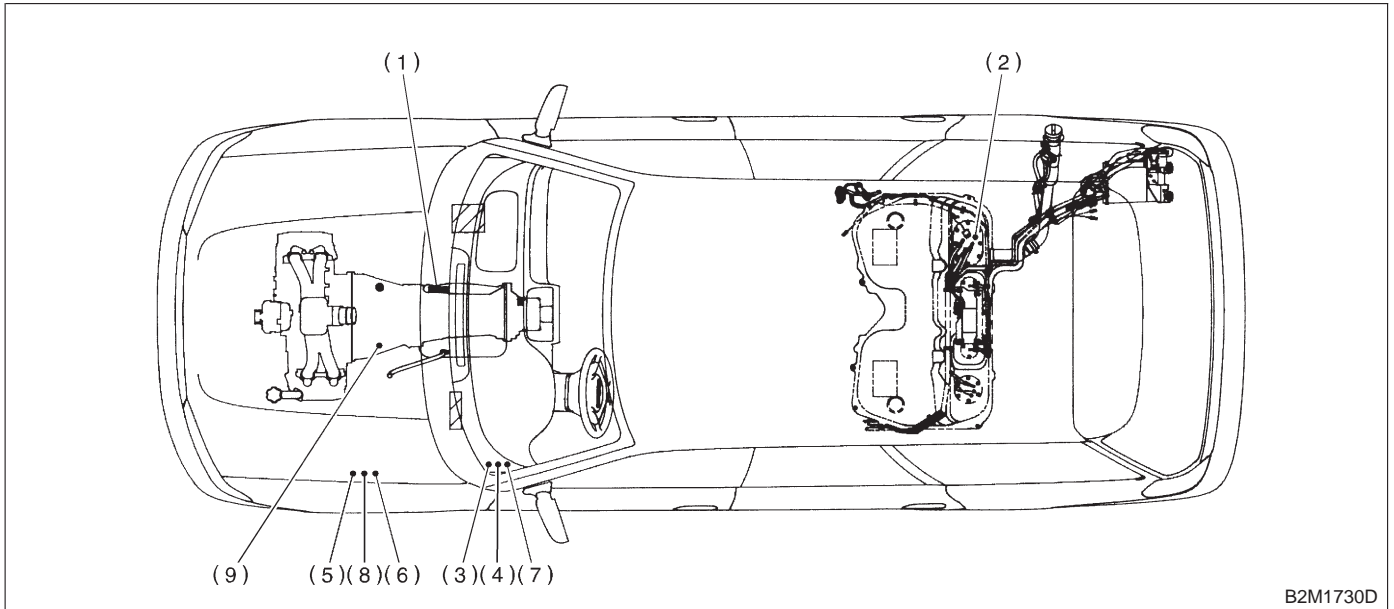
2. Electrical Components Location



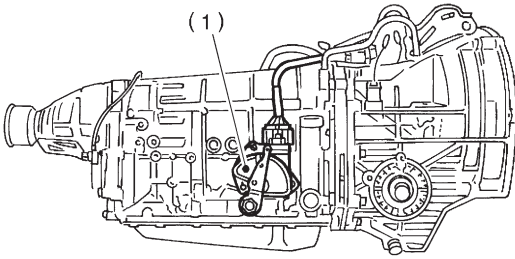
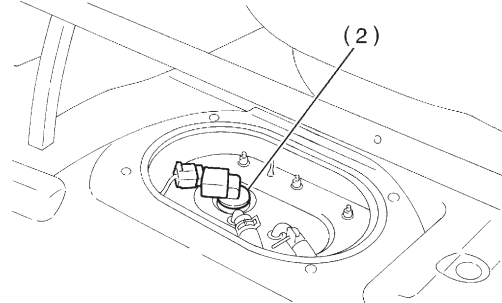
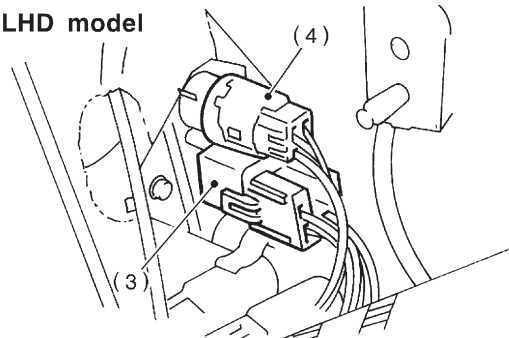
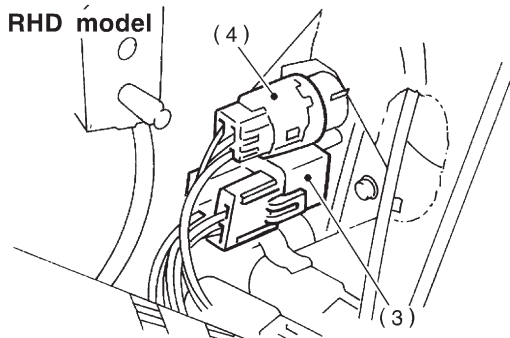
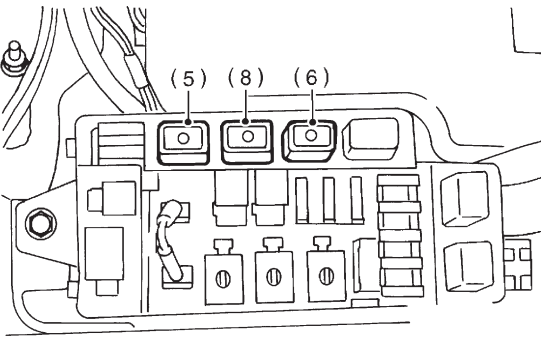
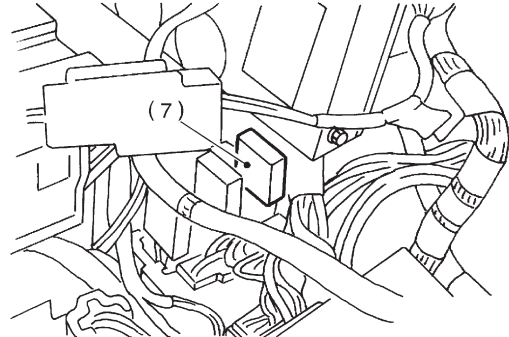
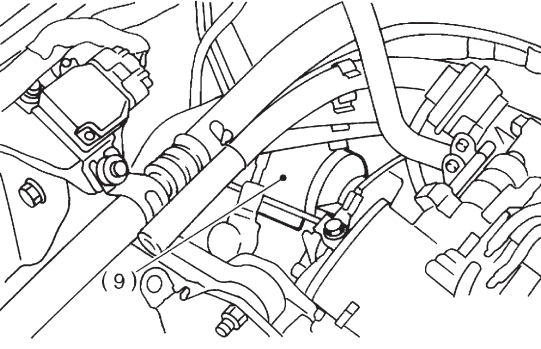
2-7 [T2B3]

ON-BORAD DIAGNOSTICS II SYSTEM

2. Electrical Components Location

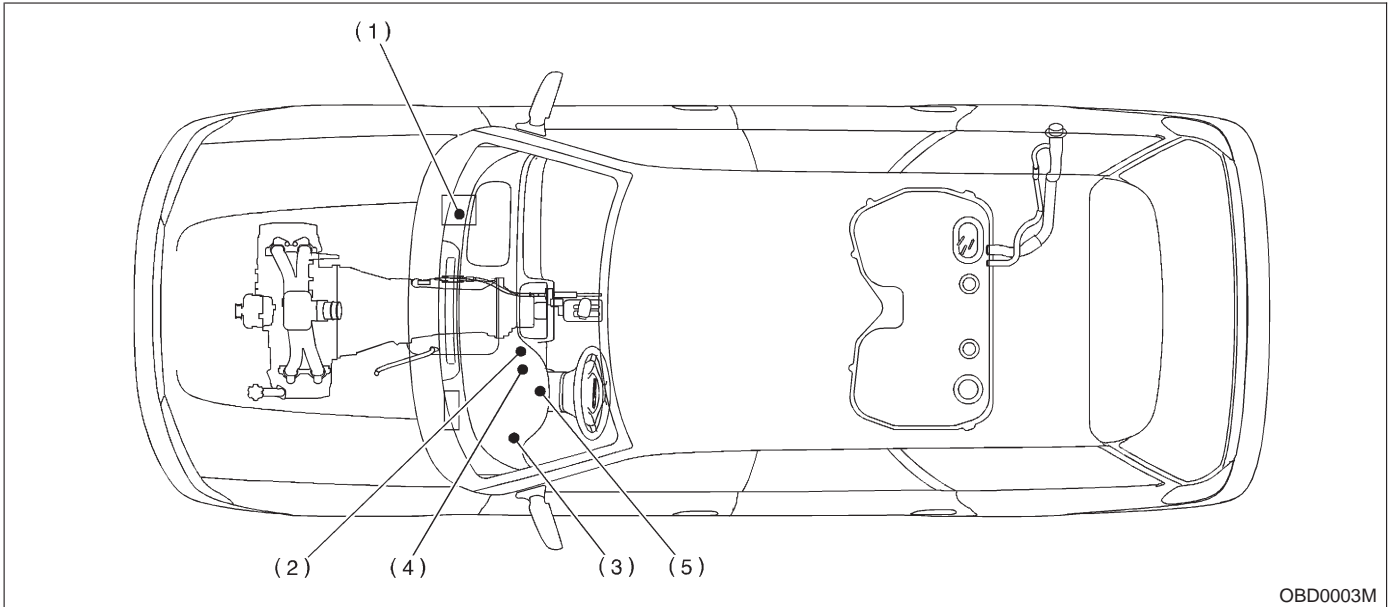


- | | | |
|--|--|---|
| (1) Inhibitor switch (AT vehicles only) | (6) Radiator main fan relay 2 (With A/C models only) | (8) Radiator sub fan relay 2 (With A/C models only) |
| (2) Fuel pump | (7) Radiator sub fan relay 1 (With A/C models) | (9) Starter |
| (3) Main relay | Main fan relay (Without A/C models) | |
| (4) Fuel pump relay | | |
| (5) Radiator main fan relay 1 (With A/C models only) | | |

 <p>(1)</p>	 <p>(2)</p>
<p>LHD model</p>  <p>(3) (4)</p>	<p>RHD model</p>  <p>(3) (4)</p>
 <p>(5) (8) (6)</p>	 <p>(7)</p>
 <p>(9)</p>	<p style="text-align: center;">SUBARU.</p>

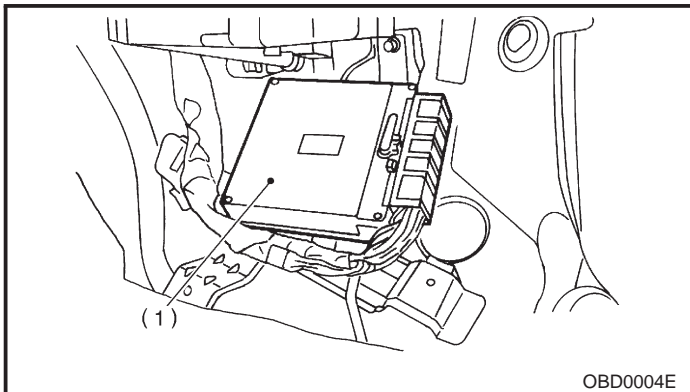
C: ENGINE (2500 cc MODEL)

1. MODULE

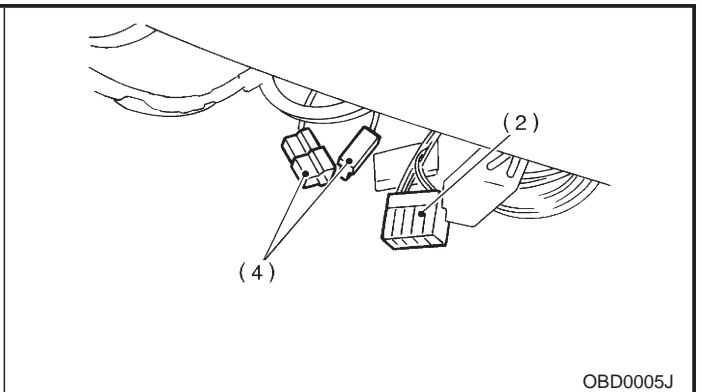


OBD0003M

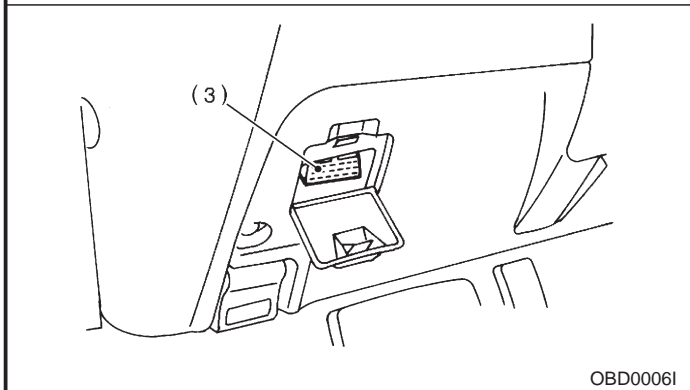
- | | | |
|--|--|---|
| (1) Engine control module (ECM) | (3) Data link connector (for Subaru select monitor and OBD-II general scan tool) | (4) Test mode connector |
| (2) Data link connector (for Subaru select monitor only) | | (5) CHECK ENGINE malfunction indicator lamp (MIL) |



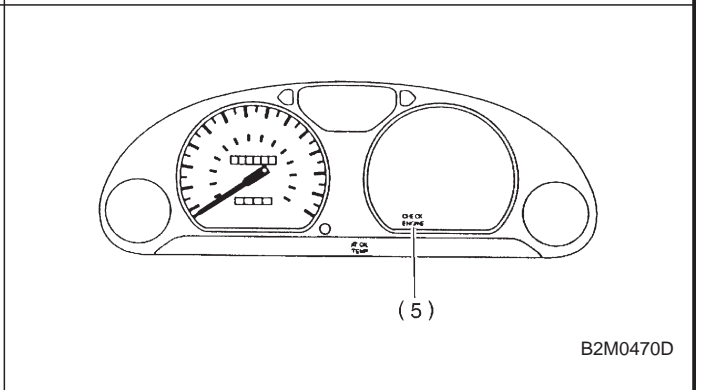
OBD0004E



OBD0005J



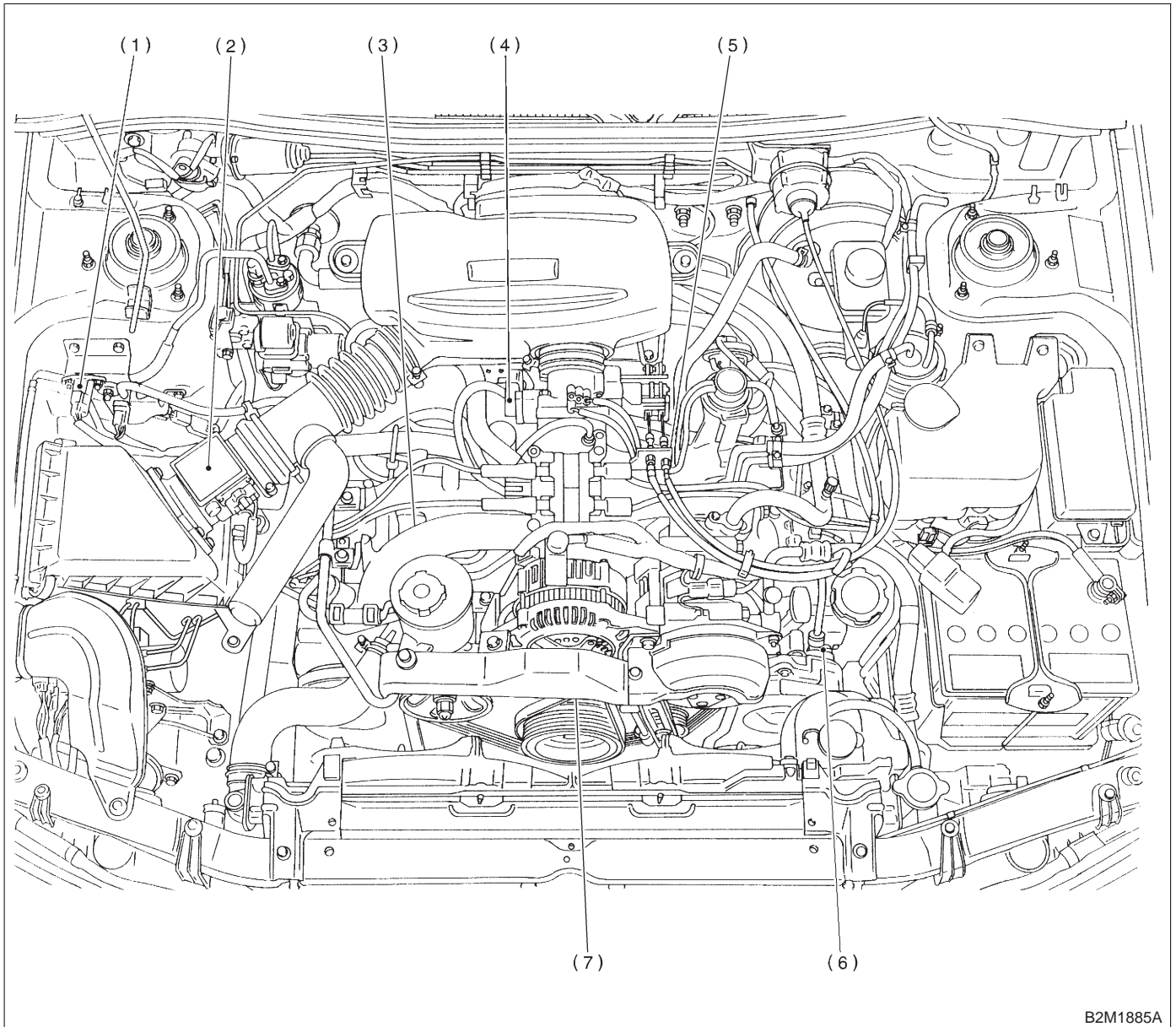
OBD0006I



B2M0470D

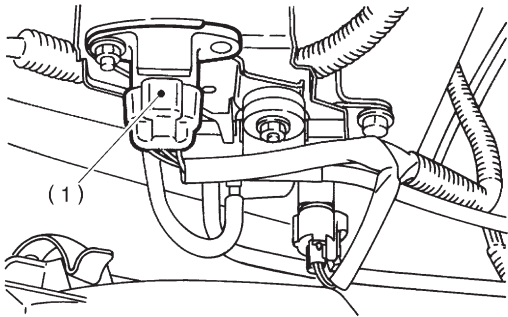
MEMO:

2. SENSOR

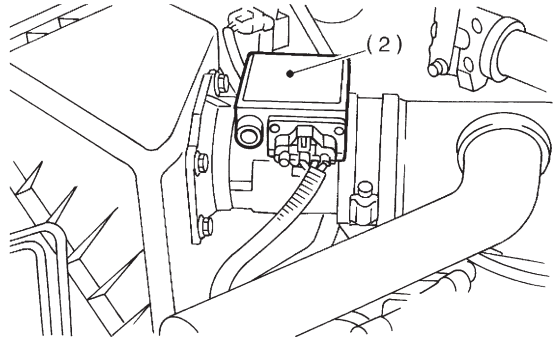


B2M1885A

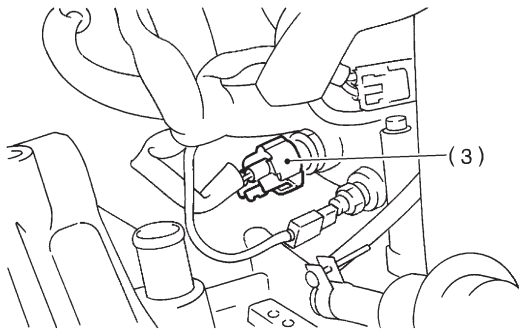
- | | |
|---------------------------------------|--------------------------------|
| (1) Pressure sensor | (4) Throttle position sensor |
| (2) Mass air flow sensor | (5) Knock sensor |
| (3) Engine coolant temperature sensor | (6) Camshaft position sensor |
| | (7) Crankshaft position sensor |



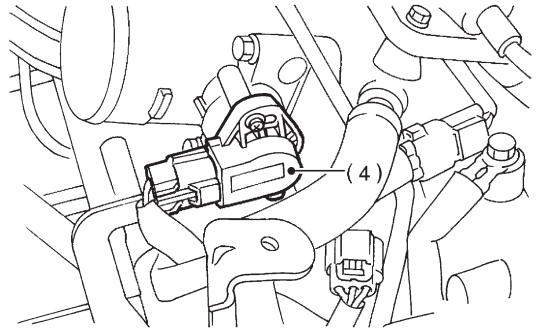
B2M0776B



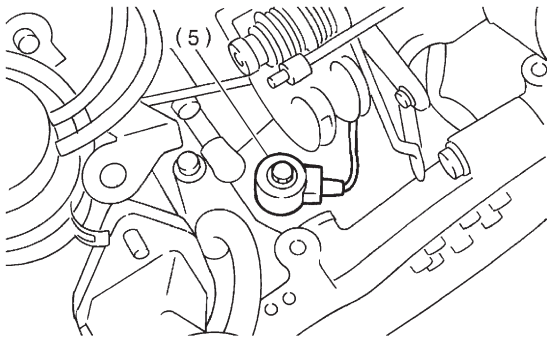
B2M1034C



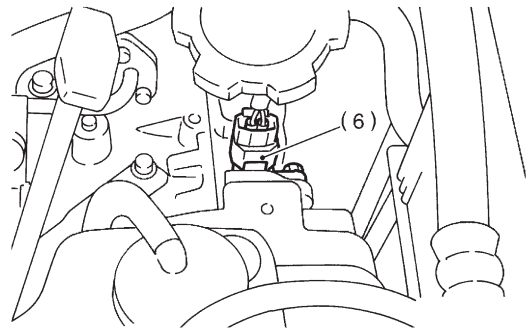
B2M1690B



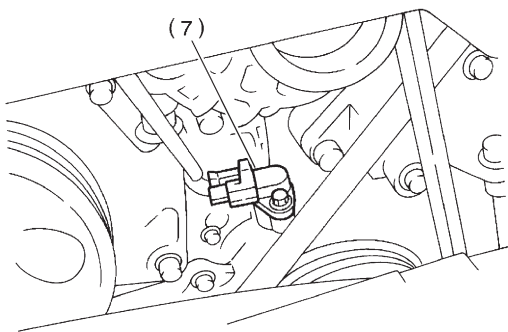
B2M1035C



B2M1691B

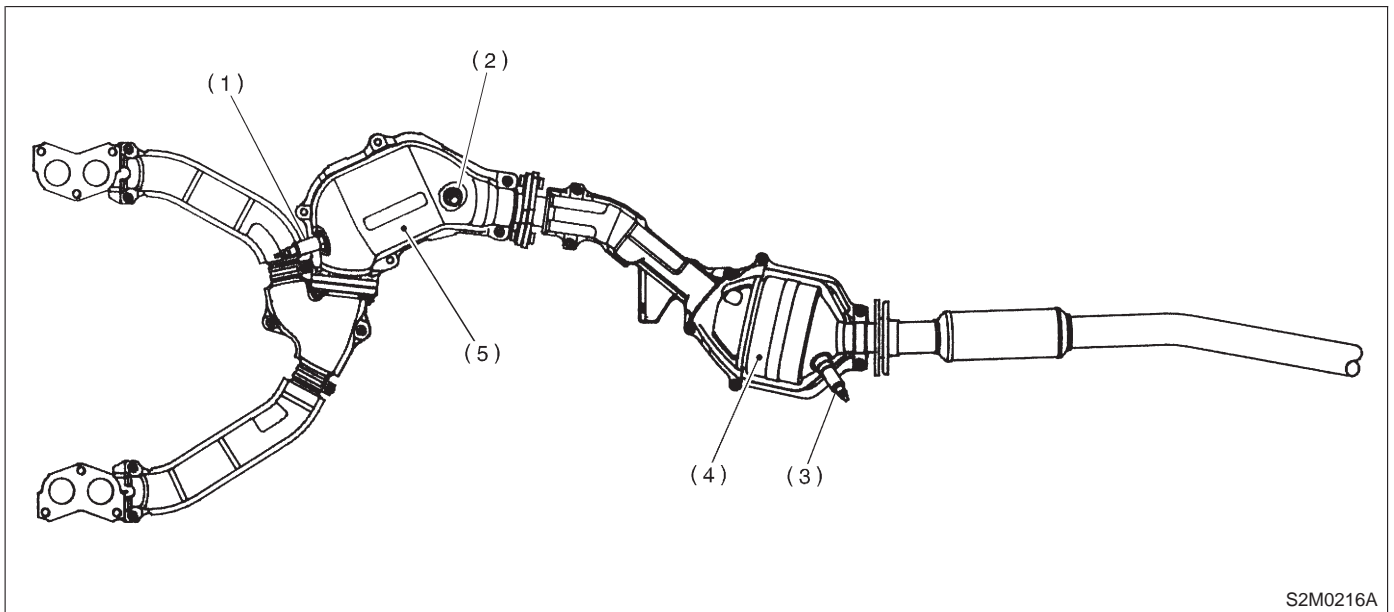


S2M0263A



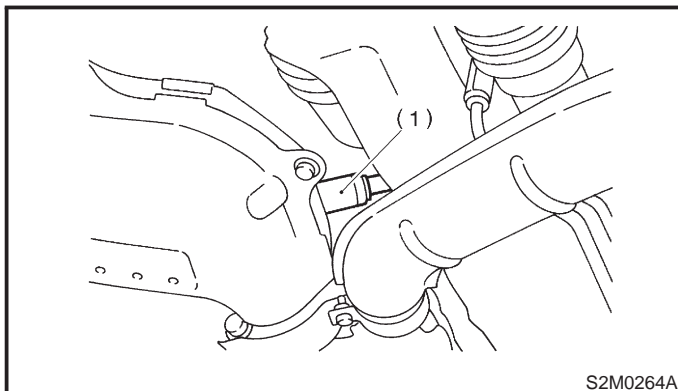
B2M0213J

SUBARU.

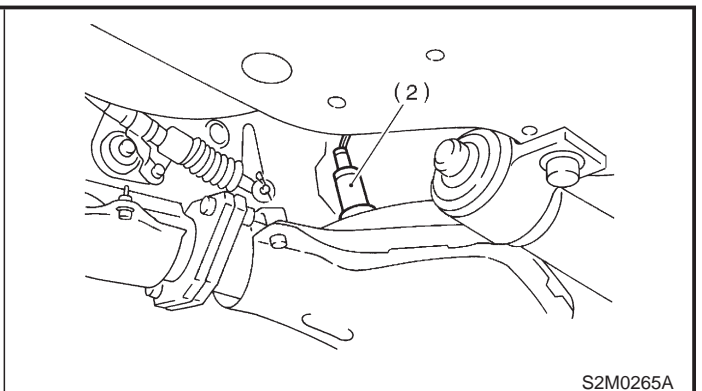


S2M0216A

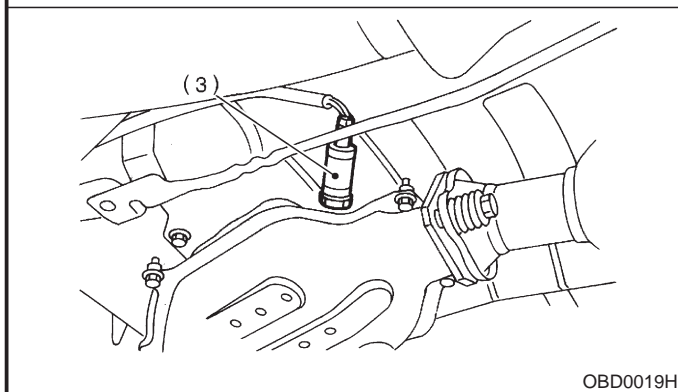
- | | | |
|--|---|-------------------------------|
| (1) Front oxygen sensor | (3) Rear oxygen sensor (California spec. vehicles only) | (5) Front catalytic converter |
| (2) Rear oxygen sensor (California spec. vehicles) | (4) Rear catalytic converter | |



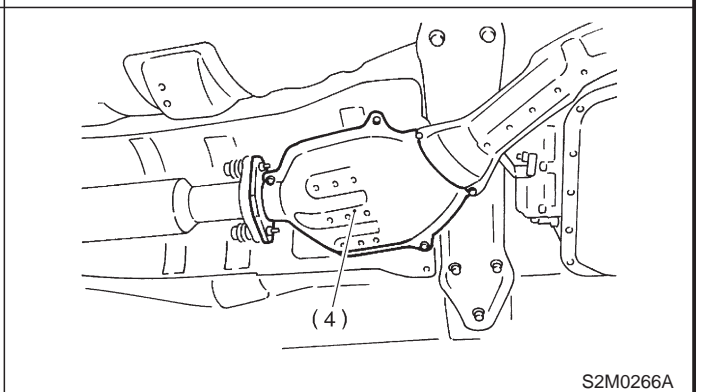
S2M0264A



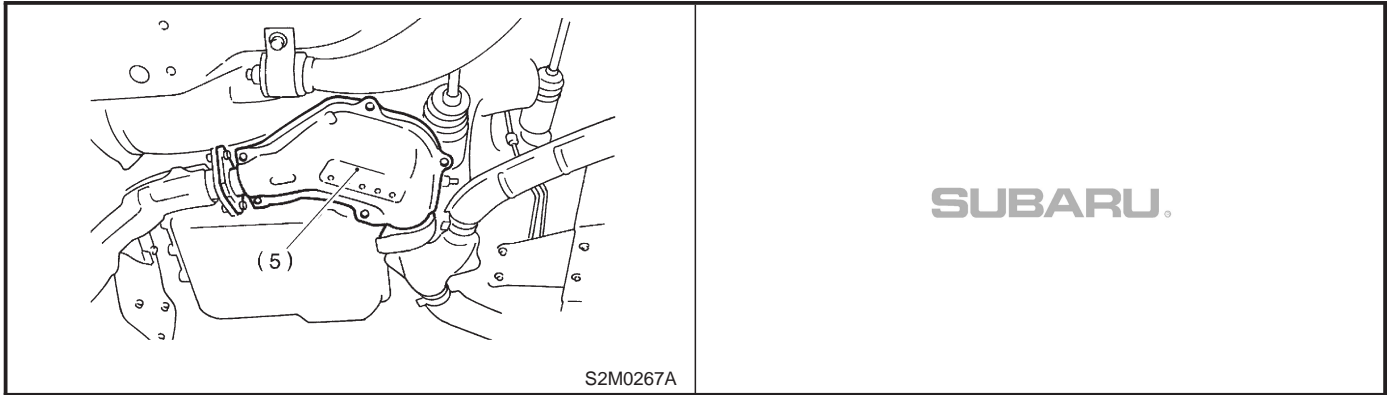
S2M0265A



OBD0019H



S2M0266A

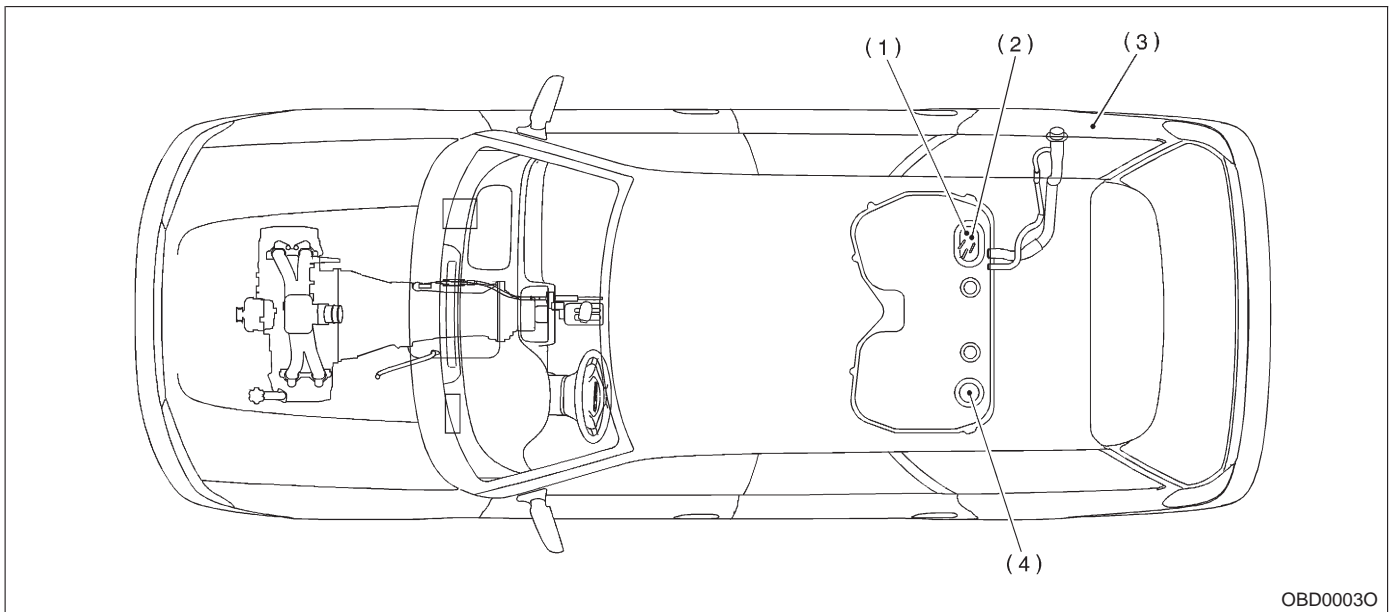


SUBARU.

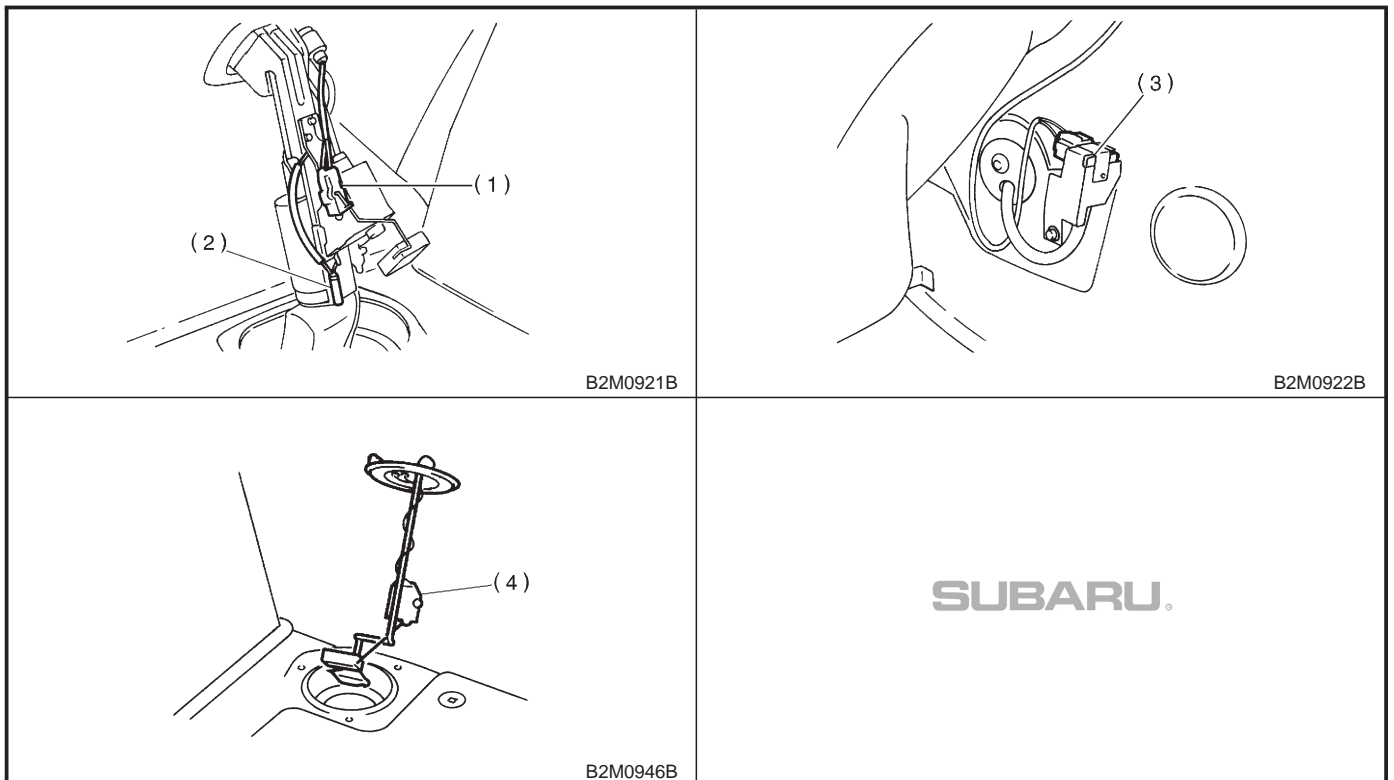
2-7 [T2C2]

ON-BORAD DIAGNOSTICS II SYSTEM

2. Electrical Components Location

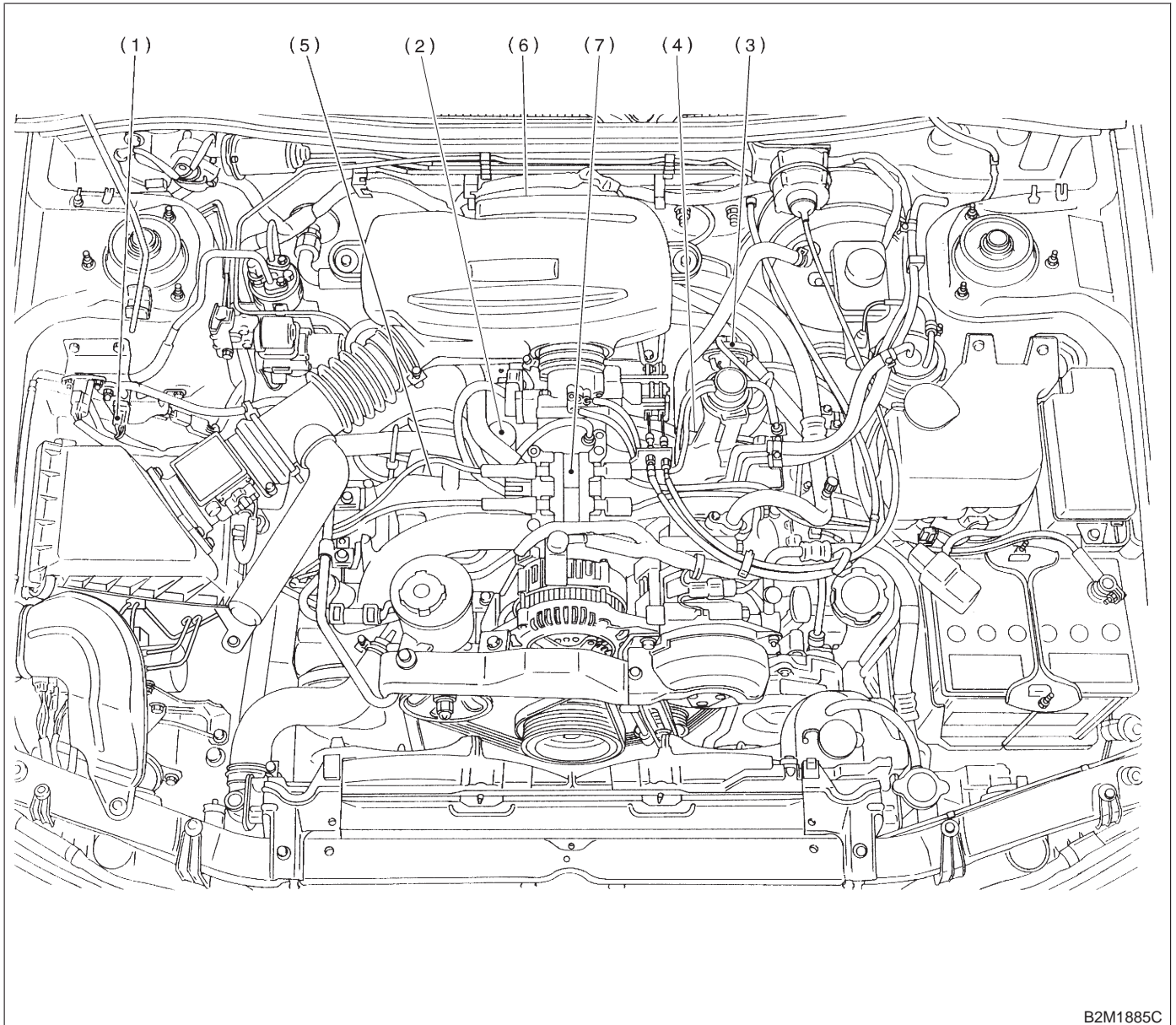


- (1) Fuel level sensor
- (2) Fuel temperature sensor (2200 cc AWD models only)
- (3) Fuel tank pressure sensor (2200 cc AWD models only)
- (4) Fuel sub level sensor



MEMO:

3. SOLENOID VALVE, EMISSION CONTROL SYSTEM PARTS AND IGNITION SYSTEM PARTS

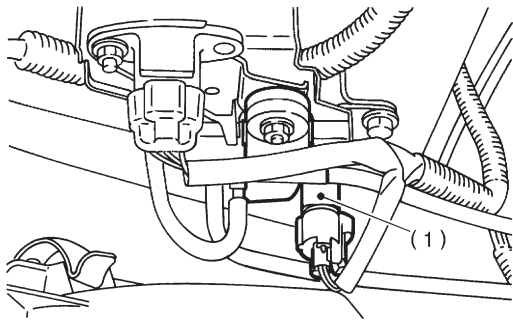


B2M1885C

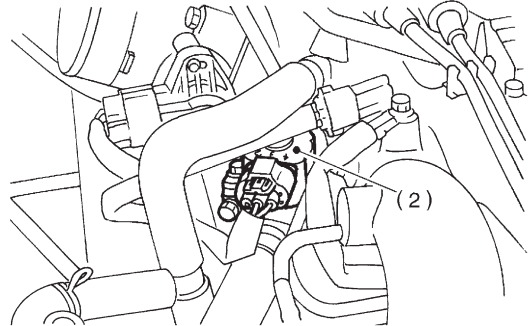
- (1) Pressure sources switching solenoid valve
- (2) Idle air control solenoid valve

- (3) EGR valve
- (4) EGR control solenoid valve
- (5) Purge control solenoid valve

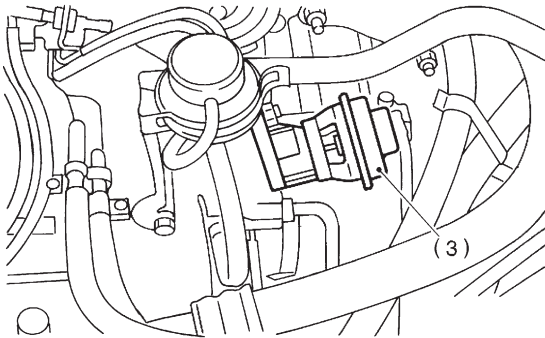
- (6) Ignitor
- (7) Ignition coil



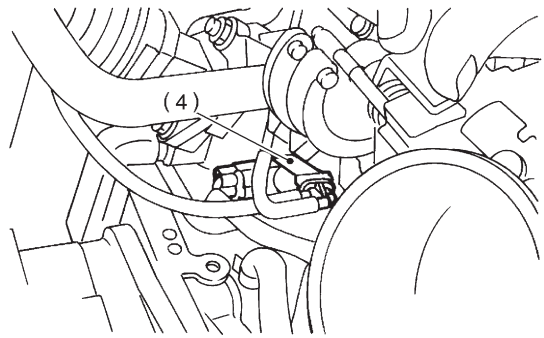
B2M0777B



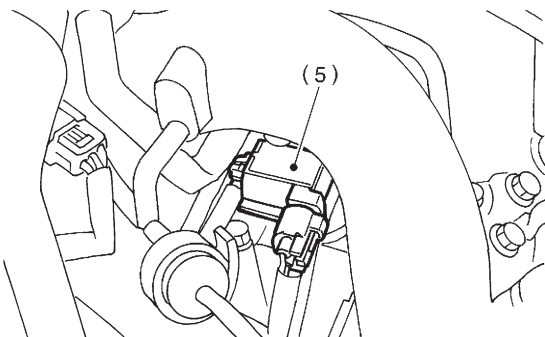
B2M1036C



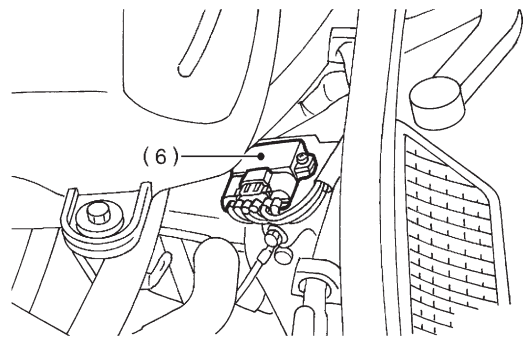
B2M0670E



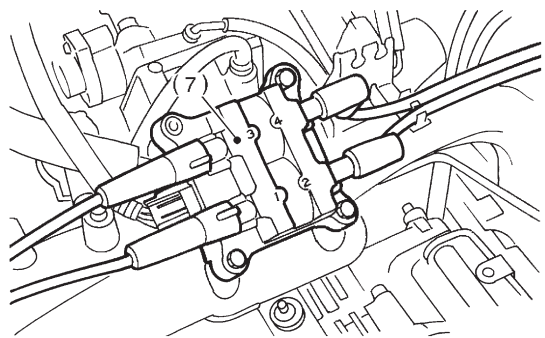
OBD0024F



B2M1039I



B2M1040E



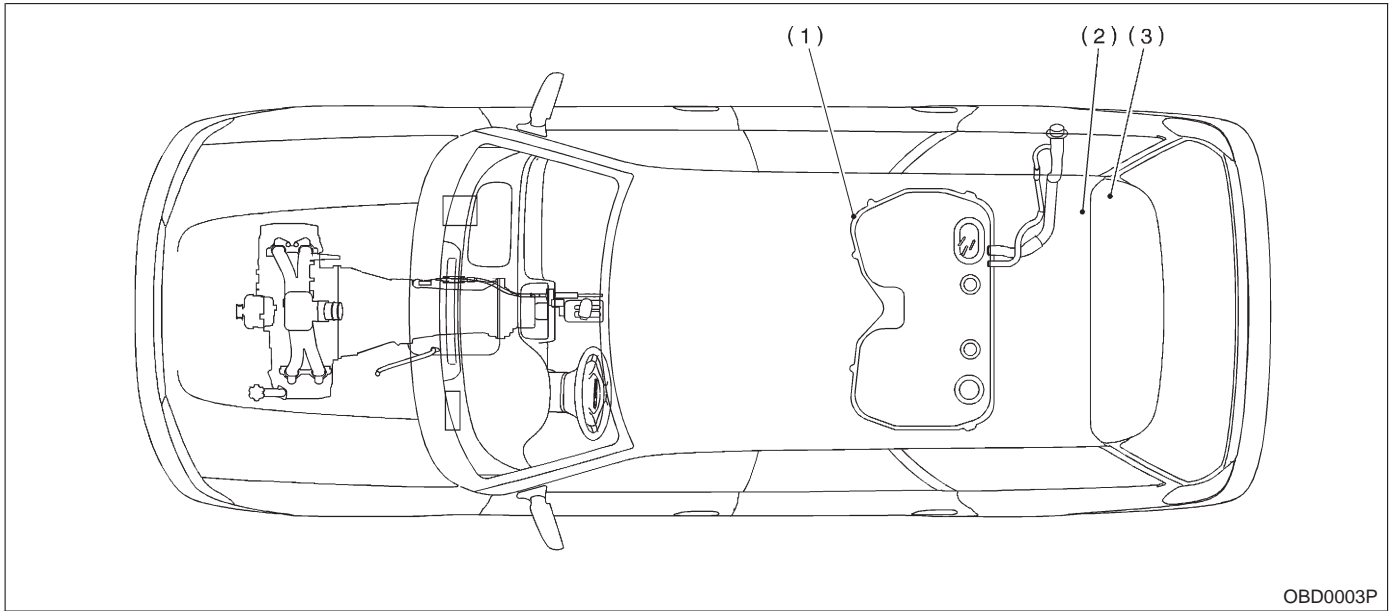
B2M1041E

SUBARU.

2-7 [T2C3]

ON-BORAD DIAGNOSTICS II SYSTEM

2. Electrical Components Location

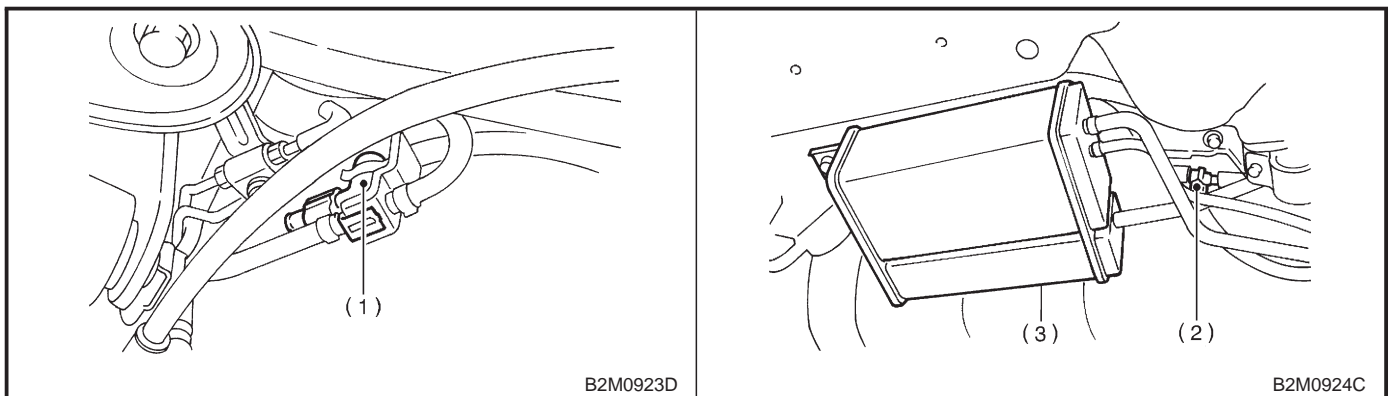


OBD0003P

(1) Pressure control solenoid valve

(2) Vent control solenoid valve

(3) Canister



B2M0923D

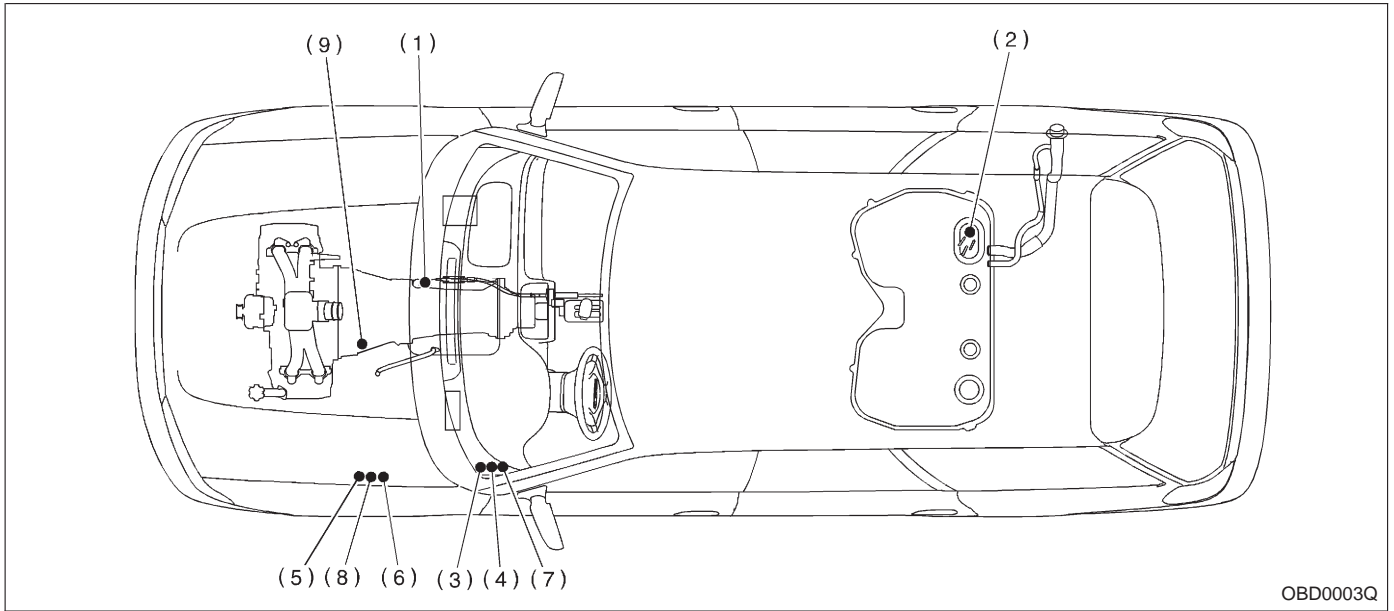
B2M0924C

MEMO:

2-7 [T2C3]

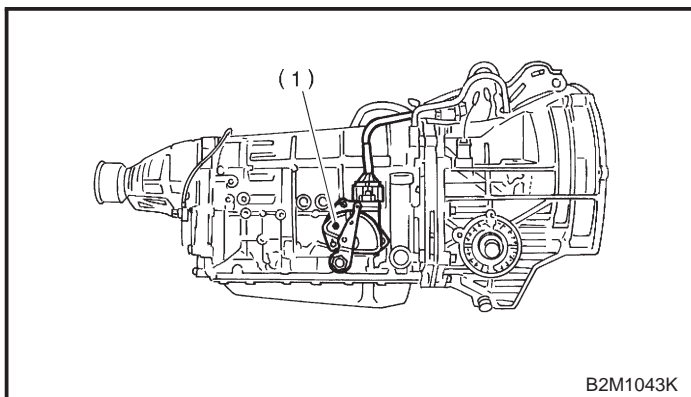
ON-BORAD DIAGNOSTICS II SYSTEM

2. Electrical Components Location

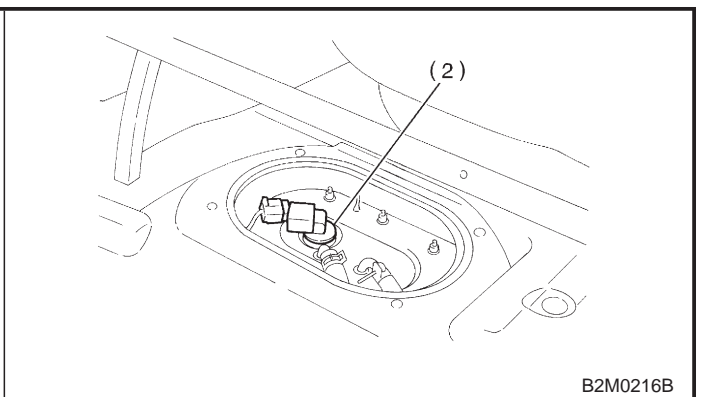


OBD0003Q

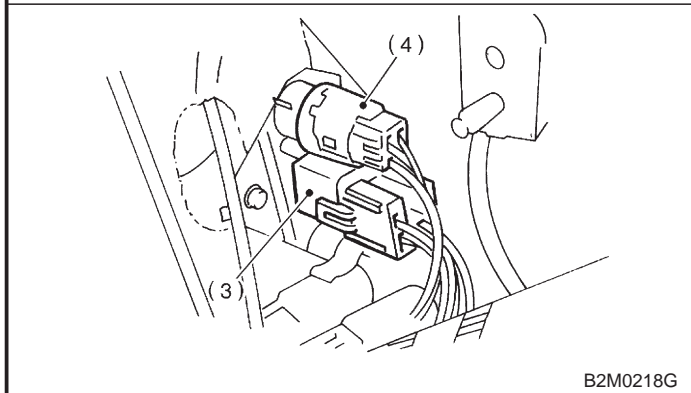
- | | | |
|--|--|---|
| (1) Inhibitor switch (AT vehicles only) | (6) Radiator main fan relay 2 (With A/C models only) | (8) Radiator sub fan relay 2 (With A/C models only) |
| (2) Fuel pump | (7) Radiator sub fan relay 1 (With A/C models) | (9) Starter |
| (3) Main relay | (4) Fuel pump relay | |
| (5) Radiator main fan relay 1 (With A/C models only) | (7) Main fan relay (Without A/C models) | |



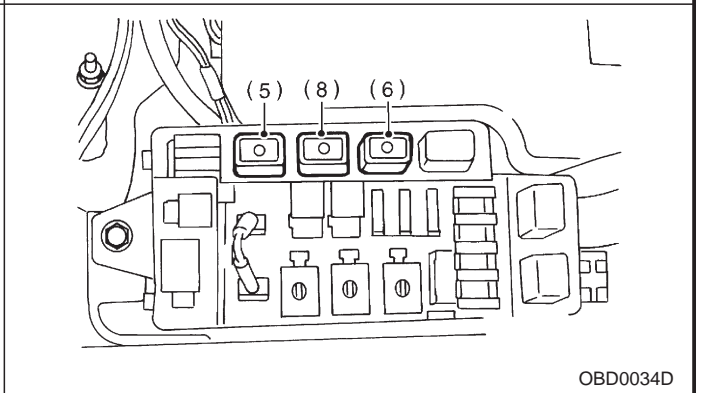
B2M1043K



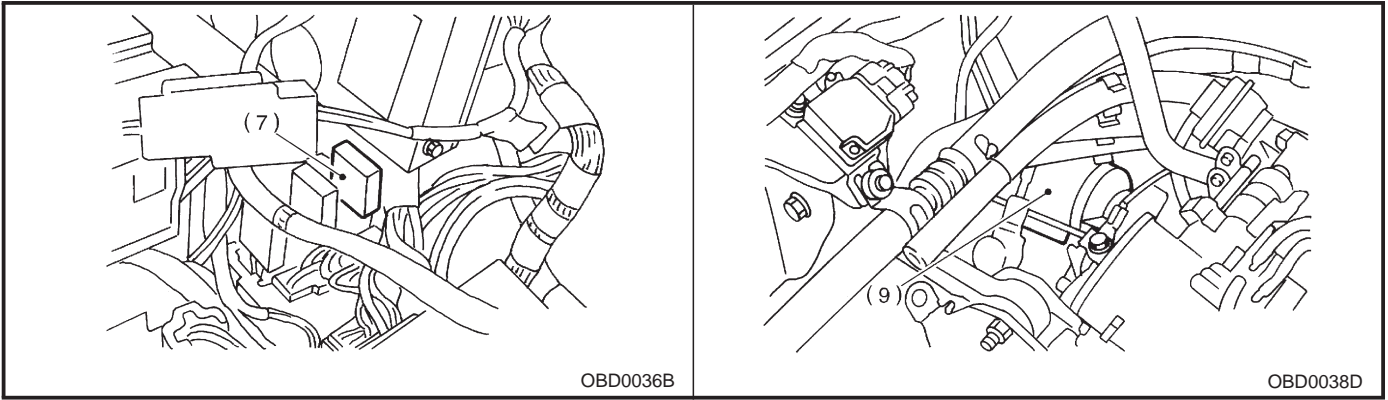
B2M0216B



B2M0218G

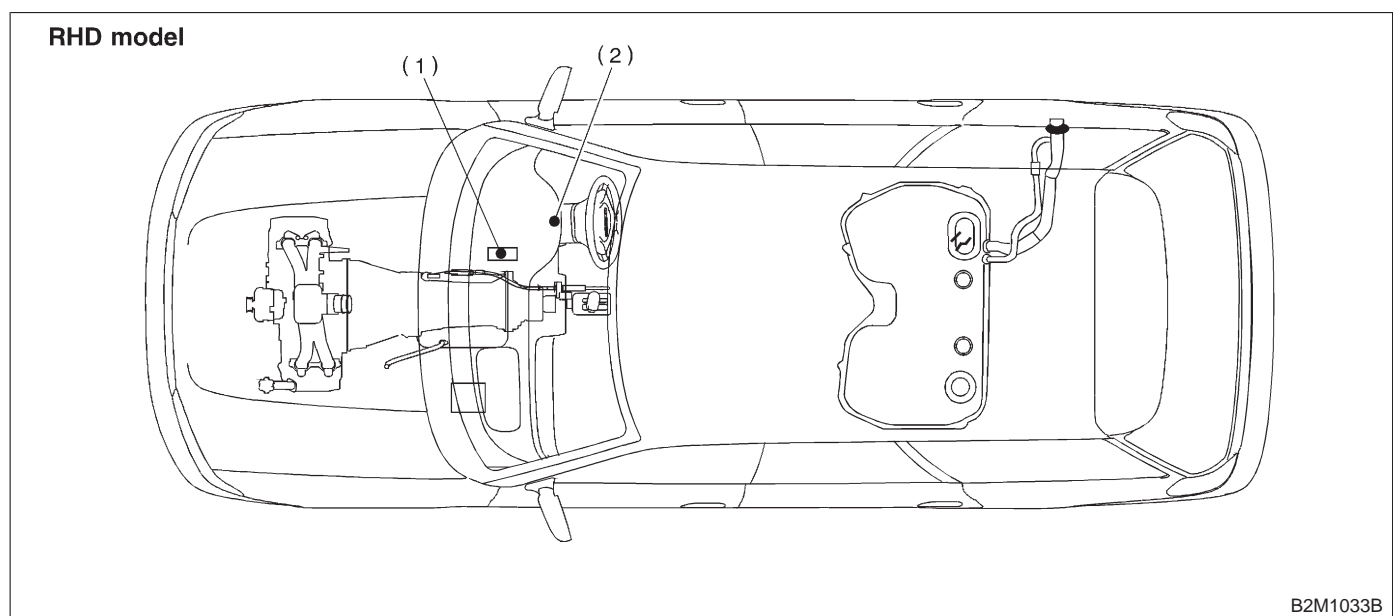
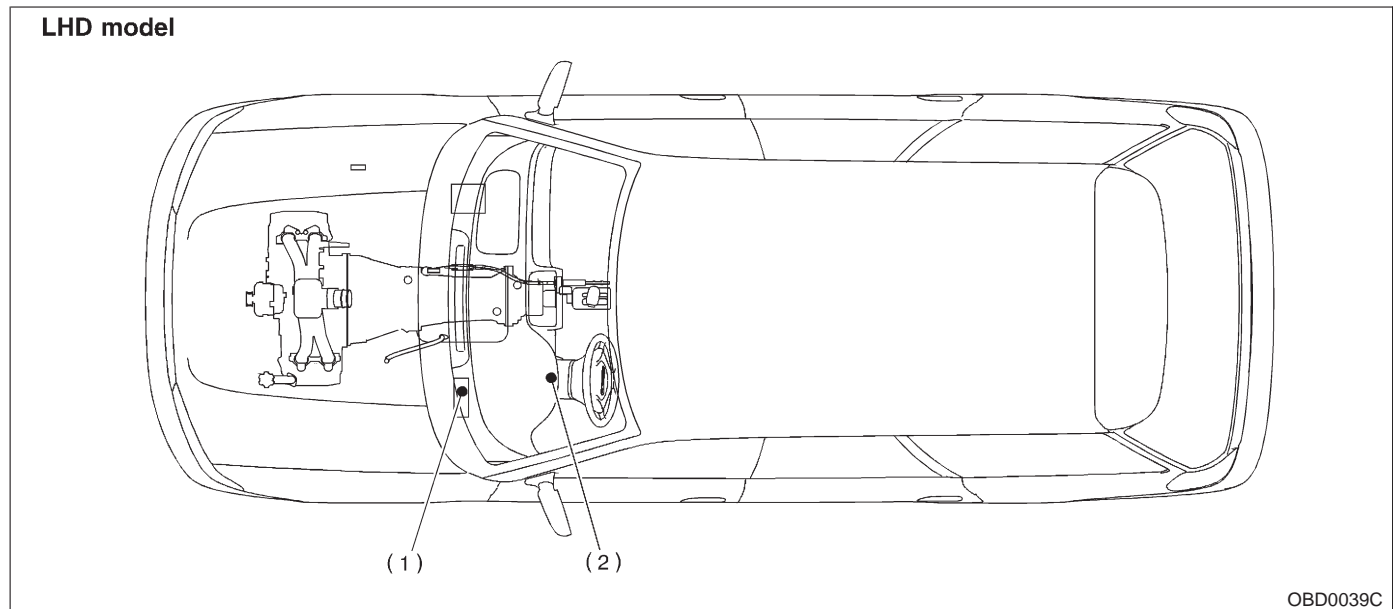


OBD0034D



D: TRANSMISSION

1. MODULE



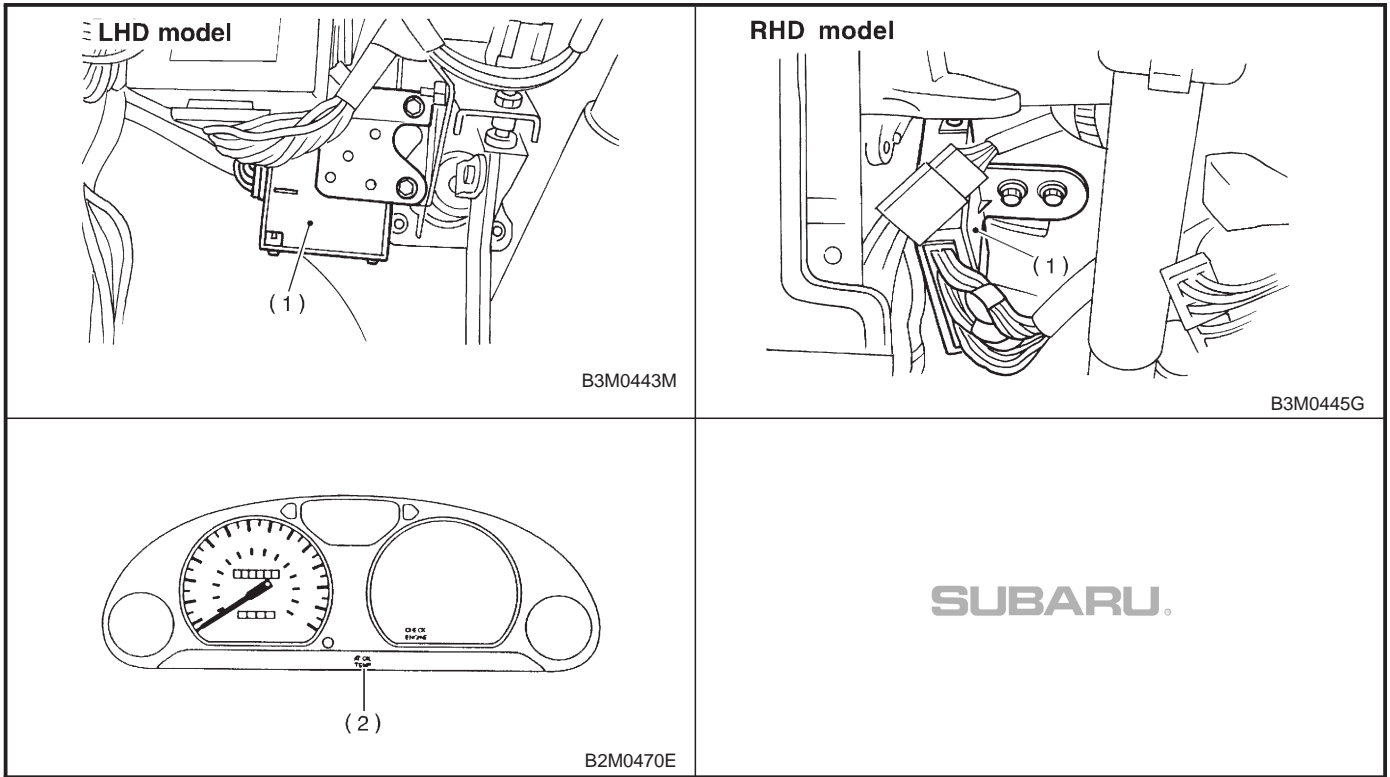
(1) Transmission Control Module (TCM) (for AT vehicles)

(2) AT diagnostic indicator light (for AT vehicles)

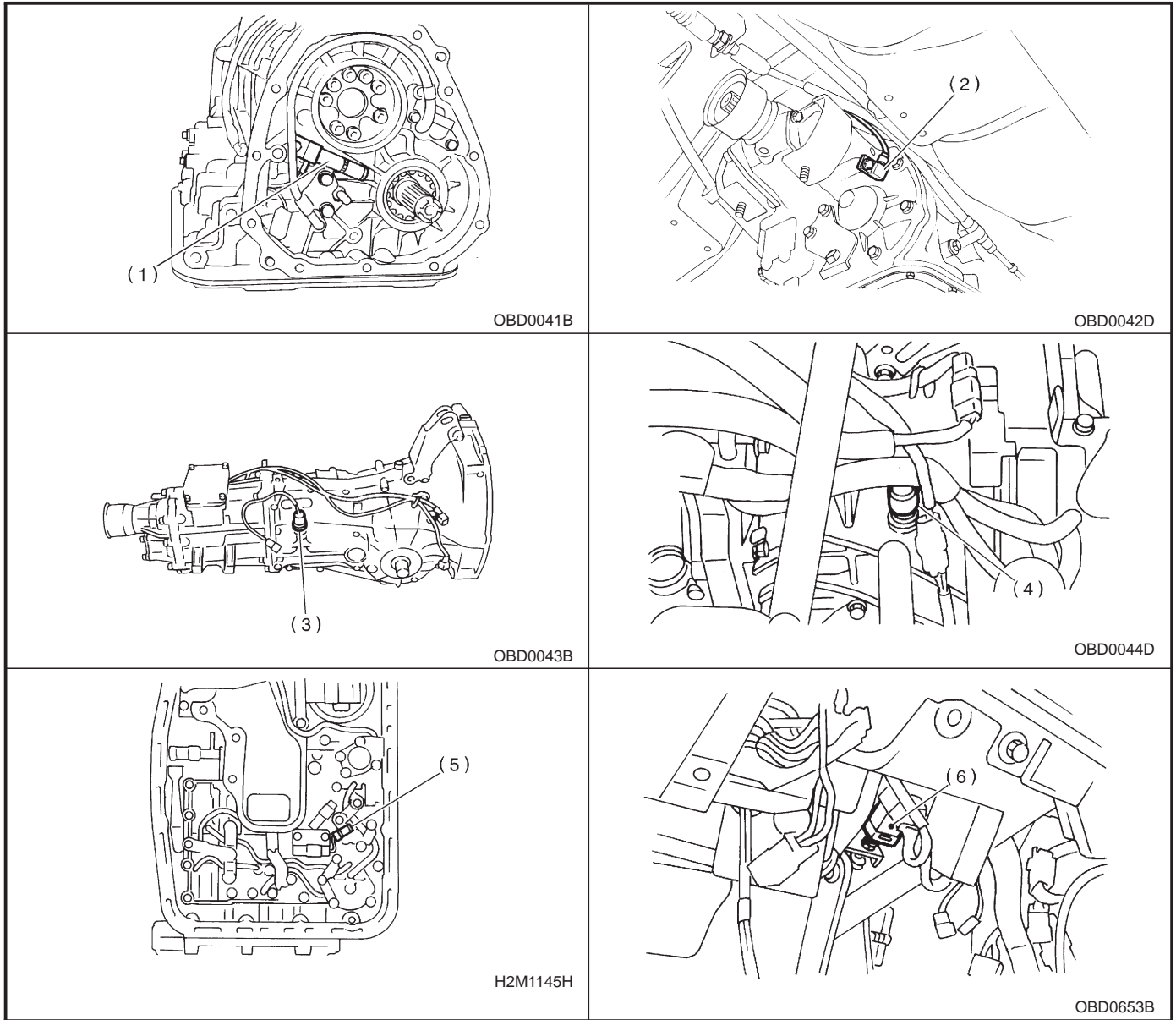
ON-BORAD DIAGNOSTICS II SYSTEM

[T2D1] 2-7

2. Electrical Components Location



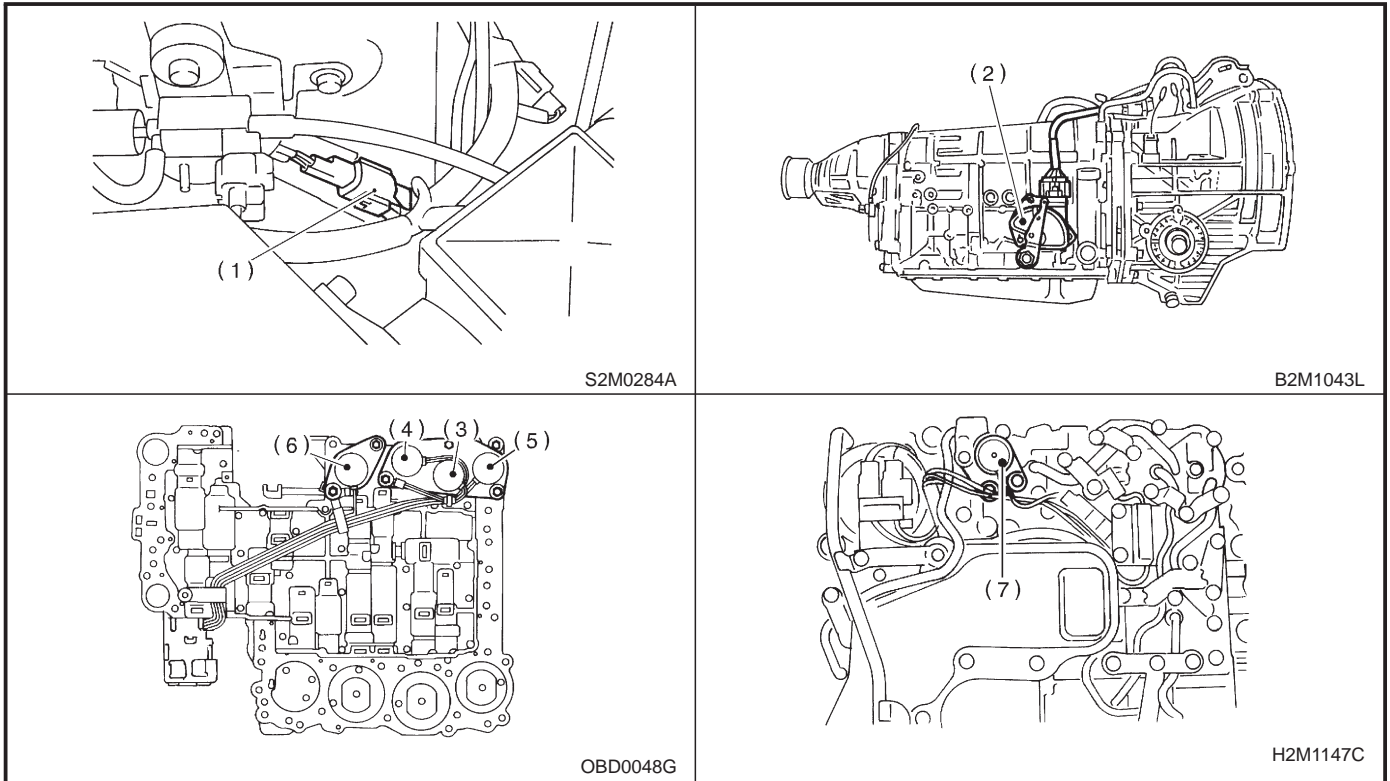
2. SENSOR



- (1) Vehicle speed sensor 1 (for AT FWD vehicles only)
- (2) Vehicle speed sensor 1 (for AT AWD vehicles only)
- (3) Vehicle speed sensor 2 (for MT vehicles only)
- (4) Vehicle speed sensor 2 (for AT vehicles only)
- (5) ATF temperature sensor (for AT vehicles only)
- (6) Brake light switch

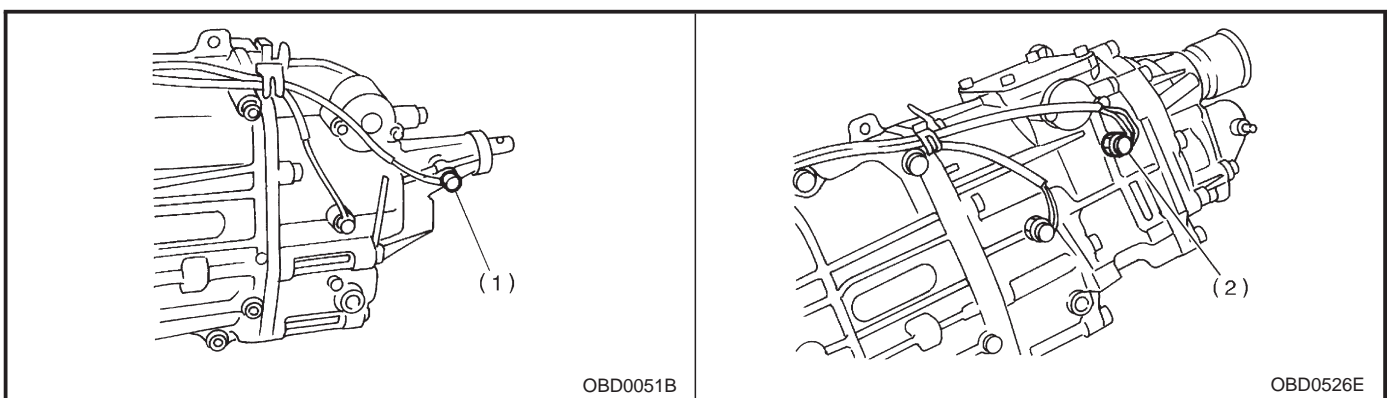
3. SOLENOID VALVE AND RELAY

● For AT vehicles



- (1) Dropping resistor
- (2) Inhibitor switch
- (3) Shift solenoid valve 1
- (4) Shift solenoid valve 2
- (5) Shift solenoid valve 3
- (6) Duty solenoid valve A
- (7) Duty solenoid valve B

● For MT vehicles



- (1) Neutral position switch (FWD models only)
- (2) Neutral position switch (AWD models only)