

4. Headlight

A: ADJUSTMENT

1. HEADLIGHT AIMING

Adjust the headlight aiming by turning the adjusting screws.

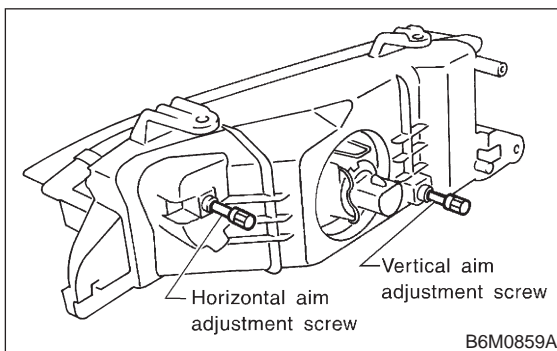
CAUTION:

Before checking the headlight aiming, be sure of the following:

- Turn off the light before adjusting headlight aiming. If the light is necessary to check aiming, do not turn on for more than two minutes.
- The area around the headlight has not sustained any accident, damage or other type of deformation.
- Vehicle is parked on level ground.
- The inflation pressure of tires is correct.
- Vehicle's gas tank is fully charged.
- Bounce the vehicle several times to normalize the suspension.
- Make certain that someone is seated in the driver's seat.

NOTE:

Adjust vertical aim first, then horizontal aim.

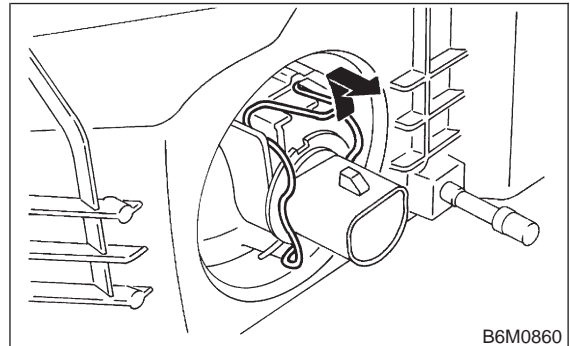


B: REMOVAL AND INSTALLATION

1. HEADLIGHT BULB

- 1) Disconnect the connector from inside of the engine compartment.

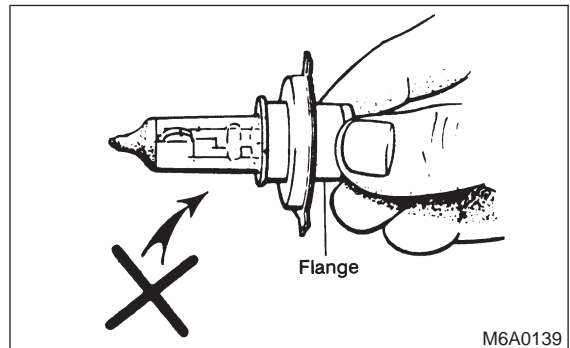
- 2) Remove the light bulb retaining spring and then remove the bulb.



- 3) Replace the bulb with a new one and hook the spring.
- 4) Connect the connector.

CAUTION:

Since the tungsten halogen bulb operates at high temperature, dirt and oil on the bulb surface decreases the bulb's useful life. When replacing the bulb, hold the flange portion and do not touch the glass portion.



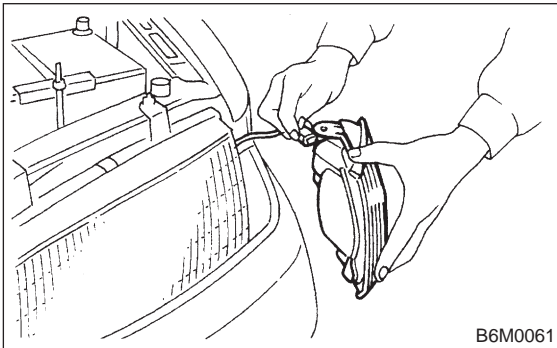
- 5) Installation is in the reverse order of removal.

2. HEADLIGHT

- 1) Remove front grille and disconnect connectors from headlight.
- 2) Remove screws which secure front turn signal light.
- 3) Remove front turn signal light while disconnecting connector.

NOTE:

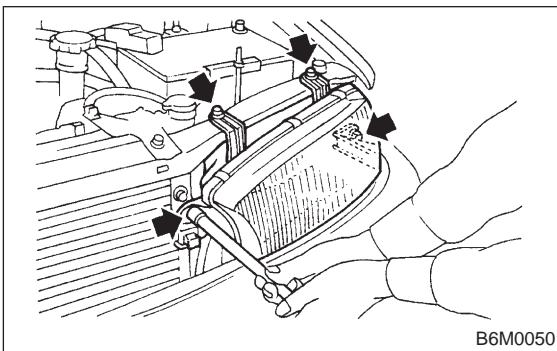
When installing the front turn signal light, securely fit clip into locating.



4) Remove bolts which secure headlight and remove headlight.

Tightening torque:

$6.4 \pm 0.5 \text{ N}\cdot\text{m}$ ($0.65 \pm 0.05 \text{ kg}\cdot\text{m}$, $4.7 \pm 0.4 \text{ ft}\cdot\text{lb}$)



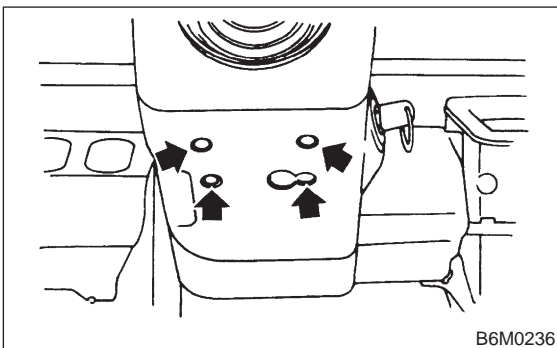
5) Installation is in the reverse order of removal.

3. COMBINATION SWITCH (WITHOUT AIRBAG MODEL)

NOTE:

For the removal procedure of combination switch, refer to procedure for removal of combination switch on airbag equipped model. <Ref. to 5-5 [W6A0].>

- 1) Remove steering wheel. <Ref. to 4-3 [W2A0].>
- 2) Remove screws which secure upper column cover to lower column cover.



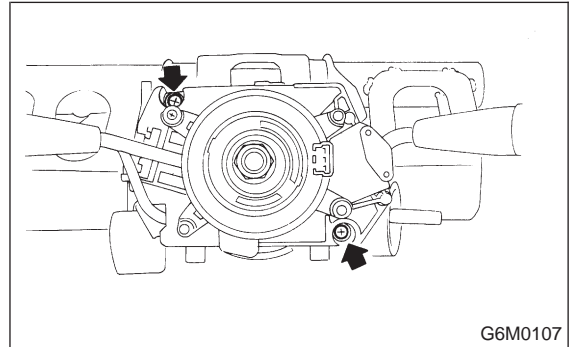
3) Remove screws which secure knee protector and remove knee protector.

CAUTION:

When installing knee protector, ensure that harness is not caught by adjacent parts.

4) Disconnect connector from body harness and undo holddown band.

5) Remove screws which secure switch and remove switch.



6) Installation is in the reverse order of removal.

CAUTION:

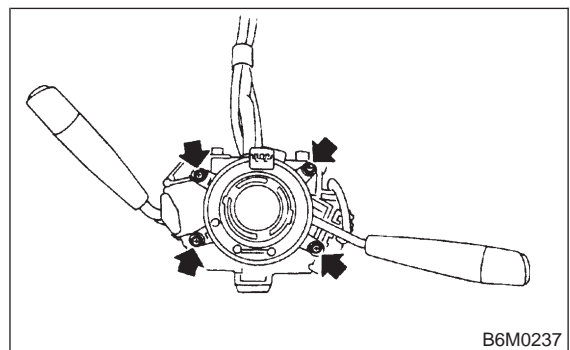
During installation (with key interlock):

- When routing combination switch harness around steering system, do not place it over key interlock release knob.
- After installing lower column cover, ensure that key interlock release knob is accessible.

C: DISASSEMBLY AND ASSEMBLY

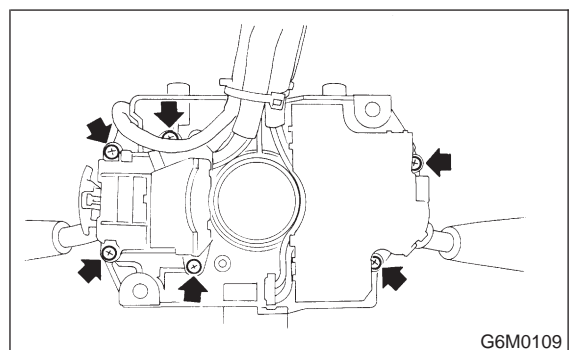
1. COMBINATION SWITCH

1) Remove screws which secure slip ring to combination switch, and remove slip ring.



2) Remove screws which secure lighting switch, wiper and washer switch. Remove both switches.

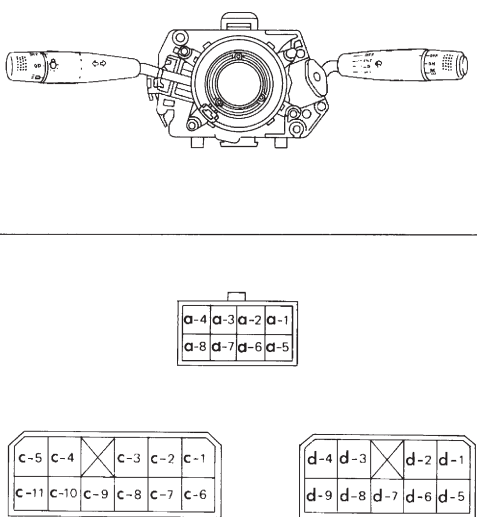
3) Assembly is in the reverse order of disassembly.



D: INSPECTION

1. COMBINATION SWITCH (ON-CAR)

- 1) Remove instrument panel lower cover.
- 2) Remove lower column cover.
- 3) Unfasten holddown clip which secures harness, and disconnect connectors from body harness.
- 4) Move combination switch to respective positions and check continuity between terminals.



The diagram shows the combination switch assembly with two indicator lamps. Below it are three connector boxes: a 4-pin connector (a-4, a-3, a-2, a-1 / a-8, a-7, a-6, a-5), a 6-pin connector (c-5, c-4, c-3, c-2, c-1 / c-11, c-10, c-9, c-8, c-7, c-6), and another 6-pin connector (d-4, d-3, d-2, d-1 / d-9, d-8, d-7, d-6, d-5).

Lighting switch

Terminal \ Switch position	c-1	c-2	c-3
OFF			
Tail	○	○	
↕	○	○	
Head	○	○	○

Parking switch

Terminal \ Switch position	c-10	c-11	c-9
OFF	○	○	
↕	×	×	×
ON		○	○

Dimmer and passing switch

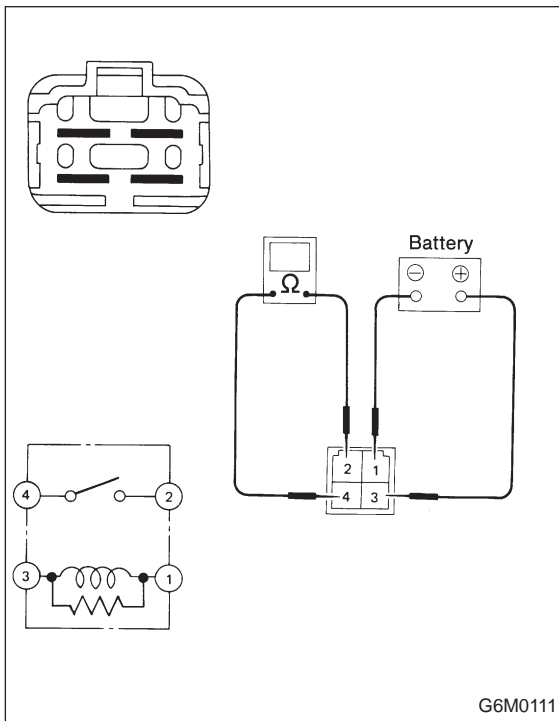
Terminal \ Switch position	a-3	a-2	a-1	a-4
Flash	○		○	○
↕	○	○	○	
Low beam	○	○		
↕	○	○	○	
HI-beam	○		○	

B6M0698

2. HEADLIGHT RELAY

Check continuity between terminals as indicated in table, when connecting the battery to terminal No. 1 and No. 3.

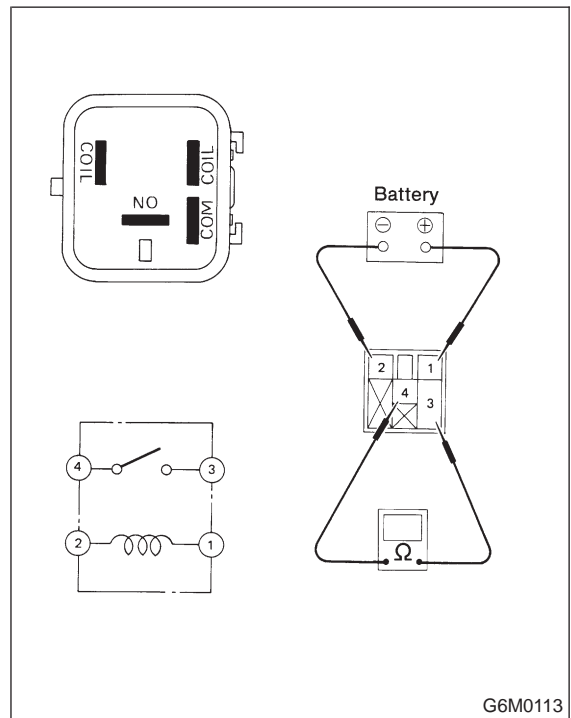
When current flows.	Between terminals No. 2 and No. 4	Continuity exists.
When current does not flow.	Between terminals No. 2 and No. 4	Continuity does not exist.
	Between terminals No. 1 and No. 3	Continuity exists.



3. DAYTIME RUNNING LIGHT RELAY

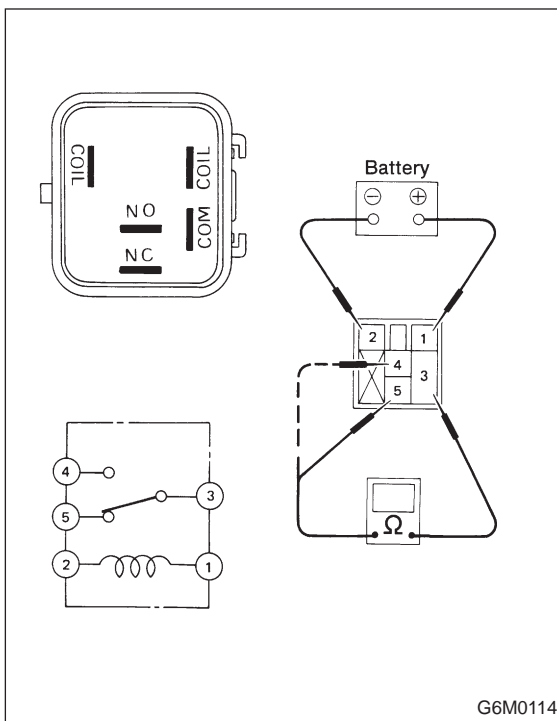
Check continuity between terminals (indicated in table) when terminal No. 1 is connected to battery and terminal No. 2 is grounded.

When current flows.	Between terminals No. 3 and No. 4	Continuity exists.
When current does not flow.	Between terminals No. 3 and No. 4	Continuity does not exist.
	Between terminals No. 1 and No. 2	Continuity exists.



Check continuity between terminals (indicated in table) when terminal No. 1 is connected to battery and terminal No. 2 is grounded.

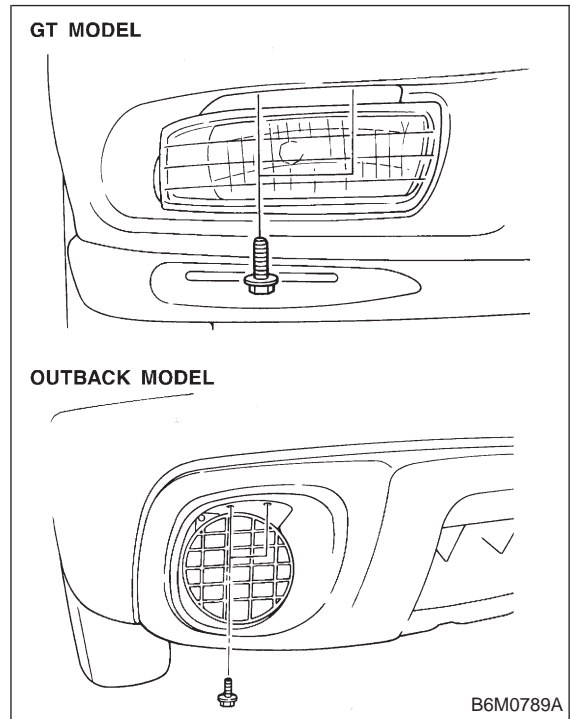
When current flows.	Between terminals No. 3 and No. 5	Continuity does not exist.
	Between terminals No. 3 and No. 4	Continuity exists.
When current does not flow.	Between terminals No. 3 and No. 5	Continuity exists.
	Between terminals No. 3 and No. 4	Continuity does not exist.
	Between terminals No. 1 and No. 2	Continuity exists.



5. Front Fog Light

A: REMOVAL AND INSTALLATION

- 1) Disconnect ground cable from battery.
- 2) Remove the two bolts, then draw out the front fog light from front bumper.



- 3) Disconnect the connector.
- 4) Installation is in the reverse order of removal.