

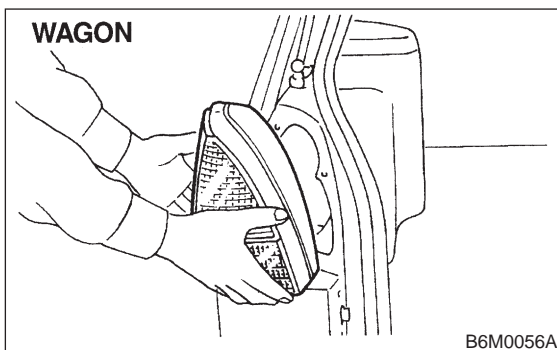
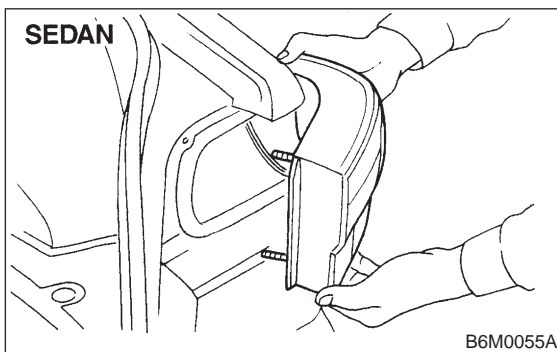
6. Stop and Tail Light

A: REMOVAL AND INSTALLATION

1. REAR COMBINATION LIGHT

- 1) Remove rear trim.
- 2) Disconnect connector from rear combination light.
- 3) Remove nuts which secure rear combination light.

Tightening torque:
 2.5 ± 0.5 N-m (0.25 ± 0.05 kg-m, 1.8 ± 0.4 ft-lb)



- 4) Attach adhesive cloth tape to body area around rear combination light.
- 5) Using a standard screwdriver, carefully pry rear combination light off and away from the vehicle.
- 6) Installation is in the reverse order of removal.

CAUTION:

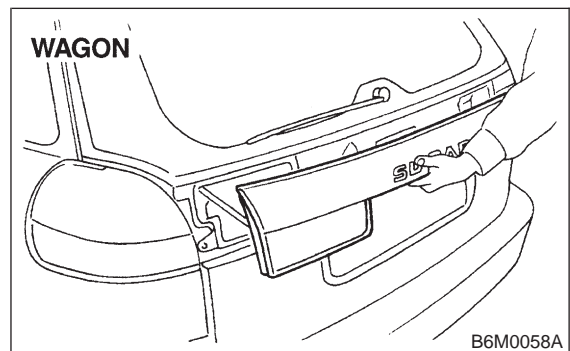
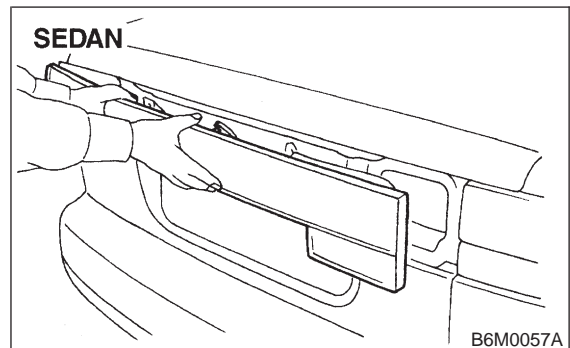
- Do not pry rear combination light forcefully as this may scratch vehicle body.
- Remove all traces of adhesive tape from body before installation.
- Attach butyl rubber tape to back of rear combination light before installing rear combination light on body for sealing purposes.

2. REAR FINISHER

- 1) Remove trunk lid trim (SEDAN) or rear gate trim (WAGON).
- 2) Disconnect connectors from rear finisher.
- 3) Remove rear wiper motor (WAGON).

- 4) Remove nuts which secure rear finisher.

Tightening torque:
 2.5 ± 0.5 N-m (0.25 ± 0.05 kg-m, 1.8 ± 0.4 ft-lb)



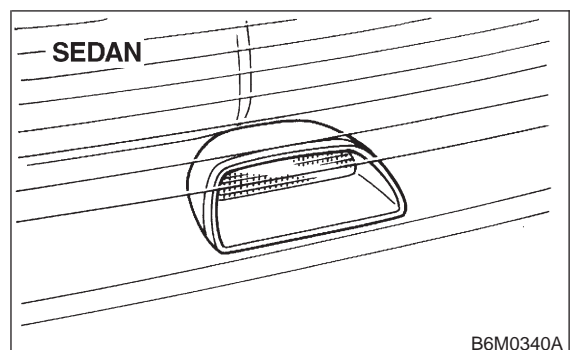
- 5) Attach adhesive cloth tape to body area around rear finisher.
- 6) Using a standard screwdriver, carefully pry rear finisher off and away from the vehicle.
- 7) Installation is in the reverse order of removal.

CAUTION:

Do not pry rear finisher forcefully as this may scratch vehicle body.

3. HIGH-MOUNT STOP LIGHT (SEDAN)

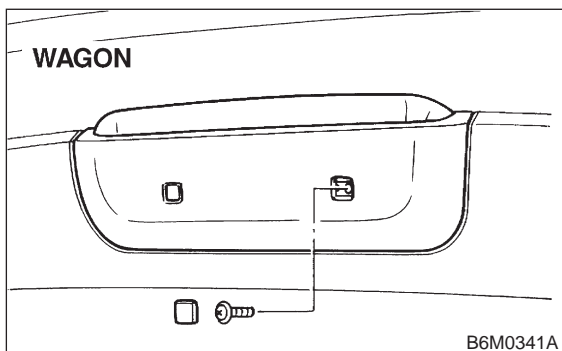
- 1) Disconnect connector of high-mount stop light from body harness.
- 2) Remove screws which secure high-mount stop light to rear shelf panel.
- 3) Remove high-mount stop light.



- 4) Installation is in the reverse order of removal.

4. HIGH-MOUNT STOP LIGHT (WAGON)

- 1) Remove high-mount stop light cover from rear gate trim panel.
- 2) Remove screws which secure high-mount stop light.



- 3) Remove high-mount stop light while disconnecting connector from body harness.
- 4) Installation is in the reverse order of removal.

5. STOP LIGHT SWITCH

Remove and install stop light switch. <Ref. to 4-5 [C1A0].> (MT), <Ref. to 4-5 [C1B0].> (AT)

NOTE:

When installing the stop light switch, adjust the pedal height by adjusting the stop light switch position.

6. COMBINATION SWITCH

Remove and install combination switch. <Ref. to 6-2 [W4B3].>

B: DISASSEMBLY AND ASSEMBLY

1. COMBINATION SWITCH

Disassemble and assemble combination switch. <Ref. to 6-2 [W4C1].>

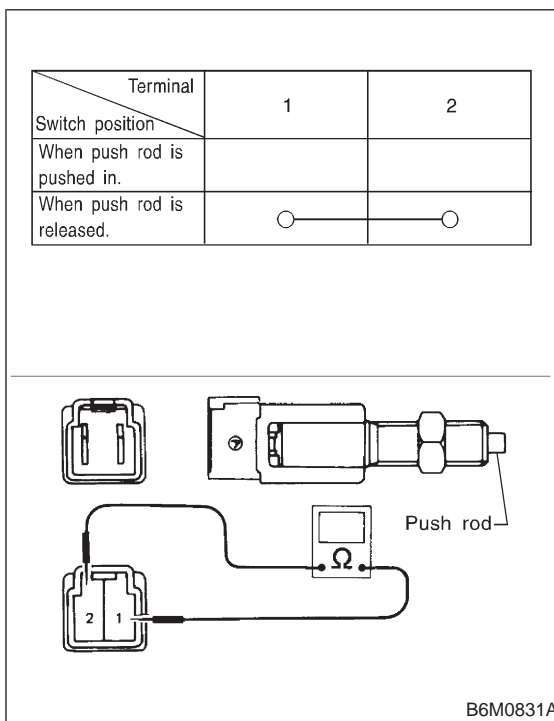
C: INSPECTION

1. STOP LIGHT SWITCH (ON-CAR)

• Without Cruise Control Model:

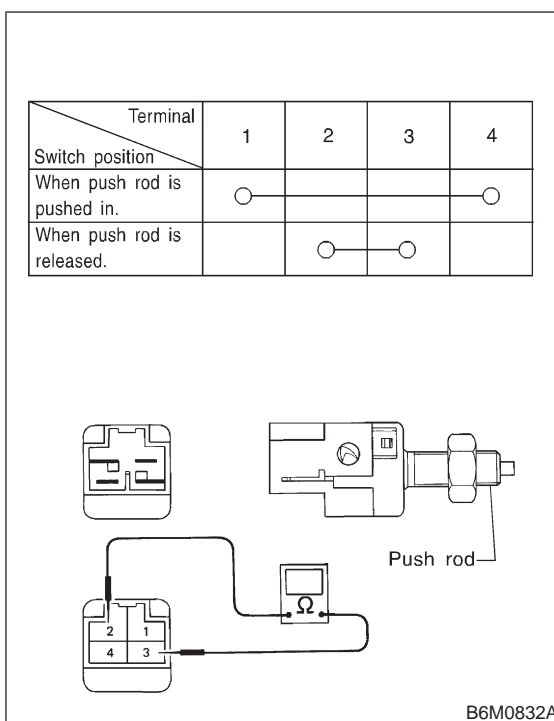
- 1) Disconnect connector of stop light switch from body harness.

- 2) Check continuity between terminals when push rod is pushed in 4.0 to 4.5 mm (0.157 to 0.177 in) from end of outer case.



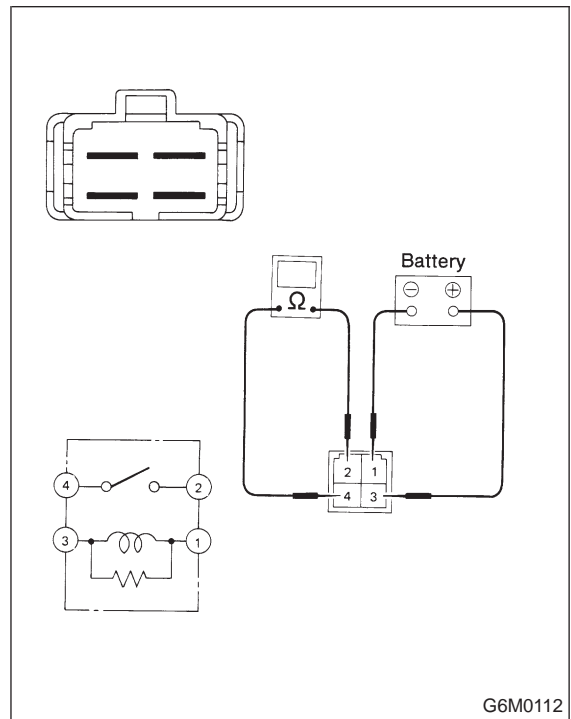
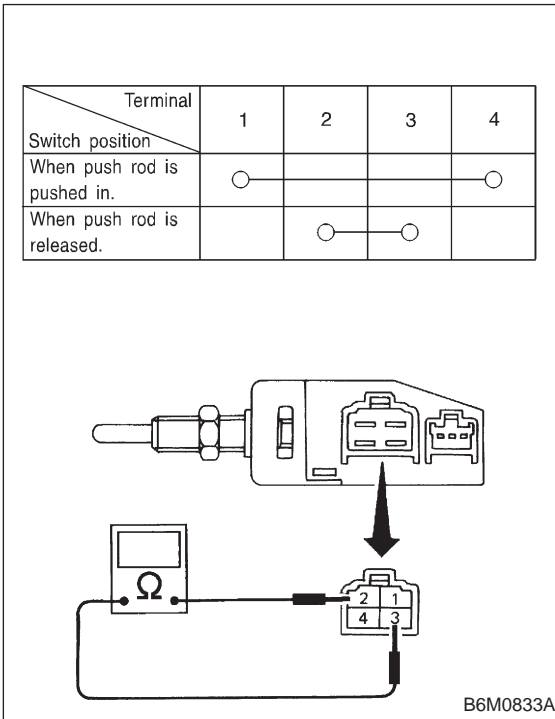
• With Cruise Control Model:

- 1) Disconnect connector of stop light switch from body harness.
- 2) Check continuity between terminals when push rod is pushed in 1.5 to 3.0 mm (0.059 to 0.118 in) from end of outer case.



● With TCS Model:

- 1) Disconnect connector of stop light switch from body harness.
- 2) Check continuity between terminals when push rod is pushed in 1.2 to 3.2 mm (0.047 to 0.126 in) from end of outer case.



2. COMBINATION SWITCH (ON-CAR)

Inspect combination switch. <Ref. to 6-2 [W4D1].>

3. TAIL AND ILLUMINATION RELAY

Check continuity between terminals as indicated in table when connecting battery to terminal No. 1 and No. 3.

When current flows.	Between terminals No. 2 and No. 4	Continuity exists.
When current does not flow.	Between terminals No. 2 and No. 4	Continuity does not exist.
	Between terminals No. 1 and No. 3	Continuity exists.