

7. Turn Signal and Hazard Warning Light

A: REMOVAL AND INSTALLATION

1. FRONT TURN SIGNAL LIGHT

Remove and install front turn signal light. <Ref. to 6-2 [W4B2].>

NOTE:

The front turn signal light is united with headlight assembly.

2. REAR COMBINATION LIGHT

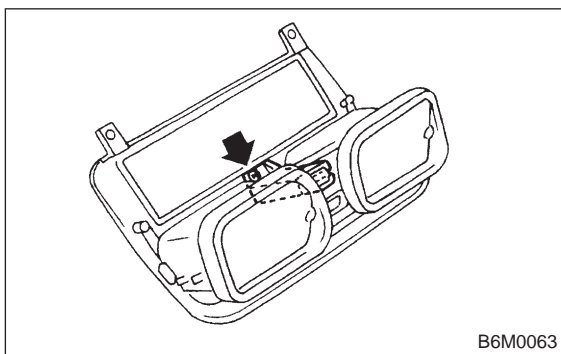
Remove and install rear combination light. <Ref. to 6-2 [W6A1].>

3. COMBINATION SWITCH

Remove and install combination switch. <Ref. to 6-2 [W4B3].>

4. HAZARD SWITCH

- 1) Remove center panel from instrument panel. <Ref. to 5-4 [W1A0].>
- 2) Disconnect connector of hazard switch from body harness.
- 3) Remove hazard switch from center panel.

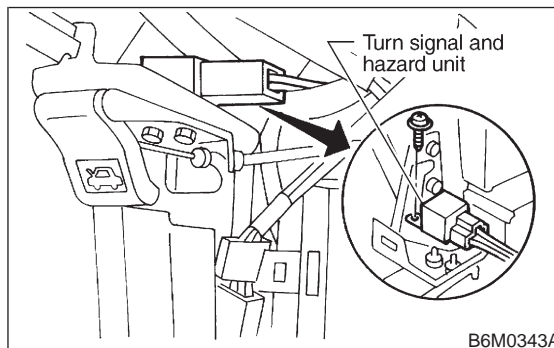


- 4) Installation is in the reverse order of removal.

5. TURN SIGNAL AND HAZARD UNIT

- 1) Remove instrument panel lower cover.
- 2) Remove engine hood opener lever bracket.
- 3) Disconnect connector of turn signal and hazard unit.

- 4) Remove screw, and then remove turn signal and hazard unit from bracket.



- 5) Installation is in the reverse order of removal.

B: DISASSEMBLY AND ASSEMBLY

1. COMBINATION SWITCH

Disassemble and assemble combination switch. <Ref. to 6-2 [W4C1].>

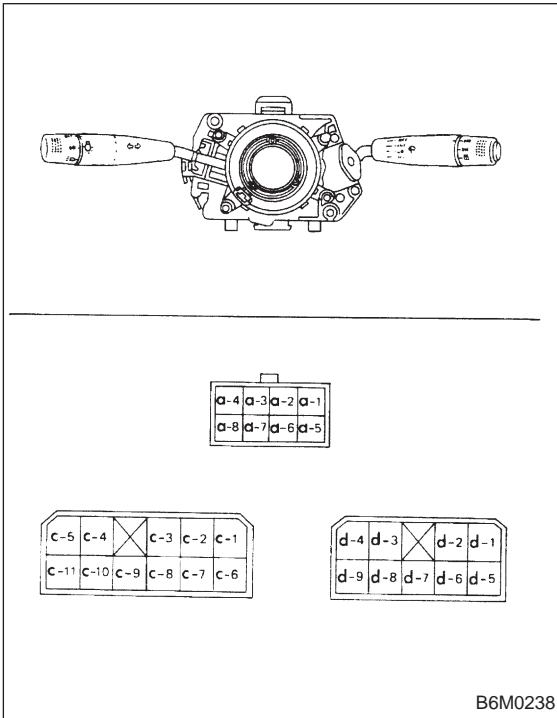
C: INSPECTION

1. COMBINATION SWITCH (ON-CAR)

- 1) Remove instrument panel lower cover.
- 2) Remove lower column cover.
- 3) Unfasten holddown clip which secures harness, and disconnect connectors from body harness.
- 4) Move combination switch to respective positions and check continuity between terminals.

Turn signal switch		Terminal		
		a-5	a-7	a-6
Turn	L·L'	○ — ○		
	↕	× — ×		×
	N			
	↕	× — ×		×
	R·R'		○ — ○	

B6M0702



8. Back-up Light

A: REMOVAL AND INSTALLATION

1. BACK-UP LIGHT

Remove and install rear finisher. <Ref. to 6-2 [W6A2].>

2. BACK-UP LIGHT SWITCH (MT MODEL)

Remove and install back-up light switch. <Ref. to 3-1 [W5B2].>

3. INHIBITOR SWITCH (AT MODEL)

Remove and install inhibitor switch (R position switch). <Ref. to 3-2 [W3B0].>

B: INSPECTION

1. INHIBITOR SWITCH (AT MODEL)

Inspect inhibitor switch. <Ref. to 3-2 [W3A0].>

2. HAZARD SWITCH

Move hazard switch to each position and check continuity between terminals.

